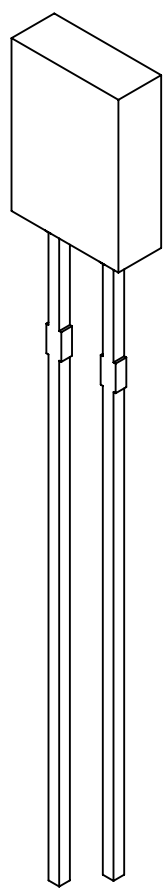
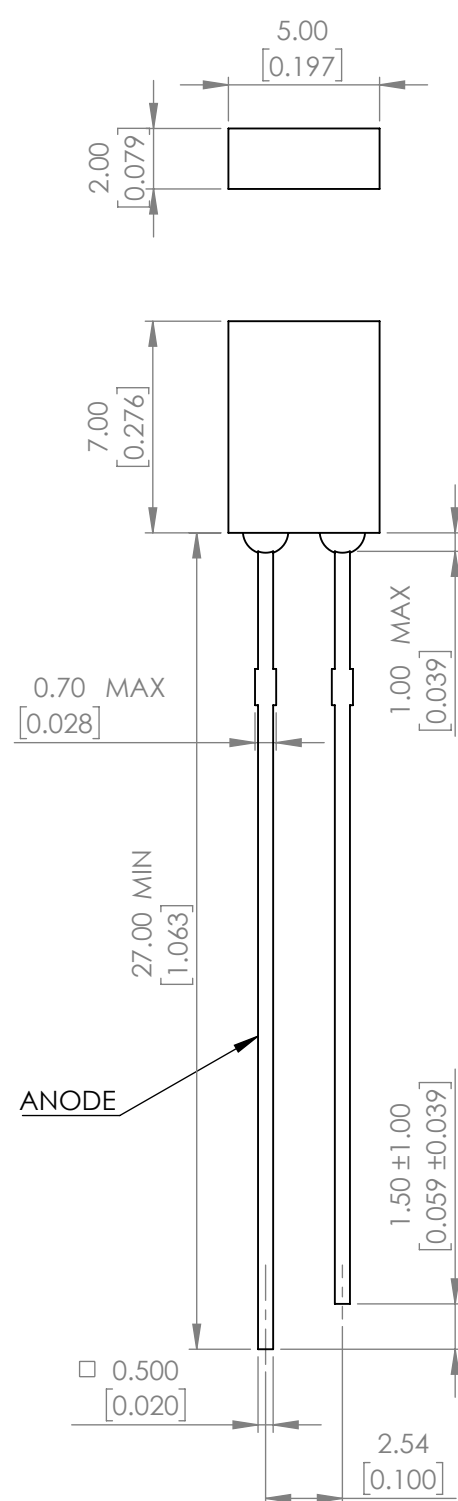


PART NUMBER	SSL-LX2573ID	REV	D
REV	E.C.N. NUMBER AND REVISION COMMENTS	DATE	
A	E.C.N. #10113	10.03.96	
B	E.C.N. #10BRDR. & REDRAWN IN 3D.	06.15.01	
C	E.C.N. #11248	08.15.01	
D	ECN-Lumex202000018	03.27.20	



ELECTRO-OPTICAL CHARACTERISTIC TA=25°C

PARAMETER	MIN	TYP	MAX	UNITS	TEST COND
PEAK WAVELENGTH	-	627	-	nm	If=10mA
FORWARD VOLTAGE	-	1.9	2.3	Vf	If=10mA
REVERSE CURRENT	-	-	10	uA	Vr=5V
LUMINOUS INTENSITY	-	4	-	mcd	-
VIEWING ANGLE	-	140	-	2x theta _{1/2}	-
EMITTED COLOR	RED				
EPOXY LENS FINISH	RED DIFFUSED				

ABSOLUTE MAXIMUM RATINGS TA=25°C

PARAMETER	MAX	UNITS
PEAK FORWARD CURRENT*	150	mA
FORWARD CURRENT	30	mA
REVERSE VOLTAGE	5	V
POWER DISSIPATION	70	mW
STORAGE TEMPERATURE	-40 TO +85	°C
OPERATING TEMPERATURE	-40 TO +85	°C
LEAD SOLDER TEMPERATURE**	3SEC MAX @260	°C

*T<10uS
**2mm FROM BODY

STATIC DEVICE FOLLOW PROPER
E.S.D. HANDLING PROCEDURES
WHEN WORKING WITH THIS PART

*UNLESS OTHERWISE SPECIFIED TOLERANCES PER DECIMAL PRECISION ARE: X=±1 (±0.039), X.X=±0.5 (±0.020), X.XX=±0.25 (±0.010), X.XXX=±0.127 (±0.005). LEAD SIZE=±0.05 (±0.002), LEAD LENGTH=±0.75 (±0.030). MIN= ^{+DECIMAL PRECISION}/_{-0.00} MAX= ^{+0.00}/_{-DECIMAL PRECISION}