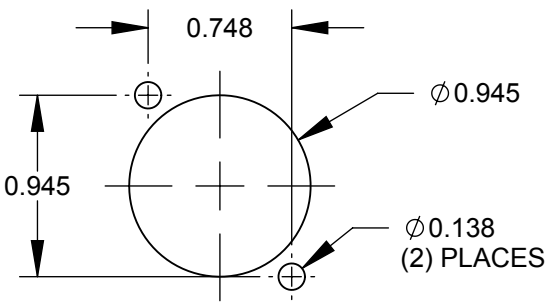
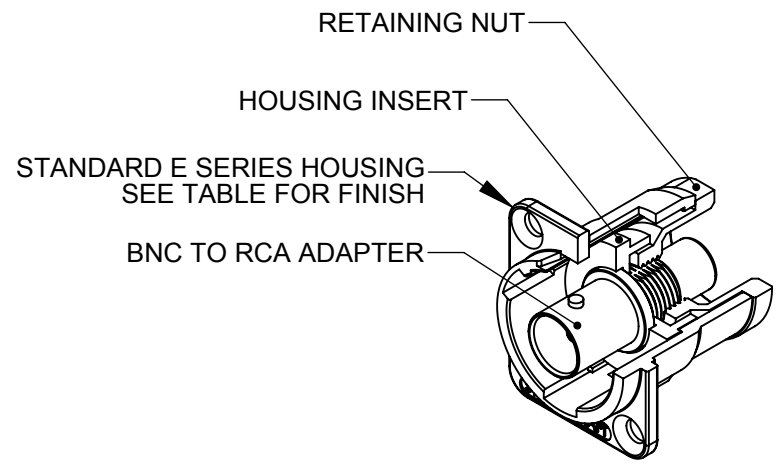
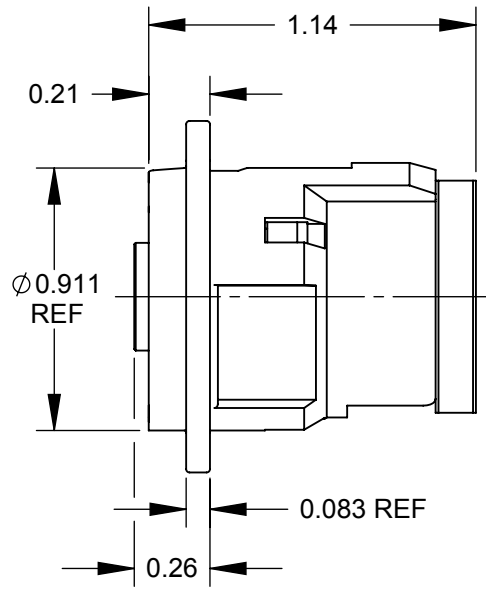


∅ 0.138 THRU
 ✓ ∅ 0.230 X 82°
 (2) PLACES REF



RECOMMENDED
 PANEL CUT-OUT

PART NUMBER	FINISH
EHBNCRCA	NICKEL PLATED
EHBNCRCAB	BLACK CHROME

CUSTOMER DRAWING

NOTES:

- MATERIALS:
 RETAINING NUT - DELRIN, WHITE
 HOUSING INSERT - DELRIN, BLACK
 HOUSING - ZINC ALLOY
 BNC-RCA ADAPTER:
 HOUSING - BRASS, NICKEL PLATED
 CONTACT - BRASS, NICKEL PLATED
 INSULATOR - DELRIN, WHITE
- THESE PRODUCTS ARE RoHS COMPLIANT.

					THIS DRAWING DESCRIBES A DESIGN CONSIDERED PROPRIETARY IN NATURE, DEVELOPED AND MANUFACTURED BY SWITCHCRAFT INC. AND IS RELEASED ON A CONFIDENTIAL BASIS FOR IDENTIFICATION PURPOSES ONLY.				
					SIZE	WIDTH	MULT	LBS/M	TEMPER
					FINISH			MATERIAL	
					SPEC No.			SPEC No.	
					FIRST USED ON		SCALE 1.5:1		
B	26415	7/17/09	RS	TJK	DATE DRAWN	BY	CHKD	APVD	Switchcraft®
A	25832	3/26/08	BS	SRC	2/20/08	BS	SRC	SRC	
					SHEET 1 OF 1				
REV	ECO NUMBER	DATE	BY	APVD	NAME			PART No.	REV
REVISIONS					EH SERIES BNC TO RCA ADAPTER, RoHS			EHBNCRCA SERIES	B
DO NOT SCALE DRAWING									