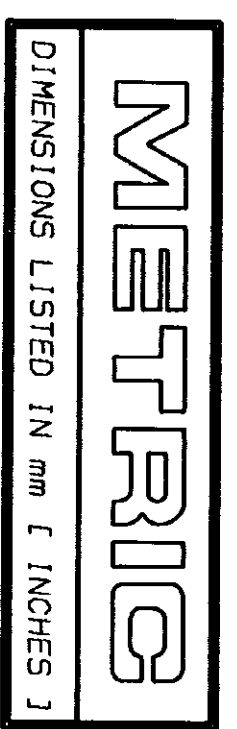
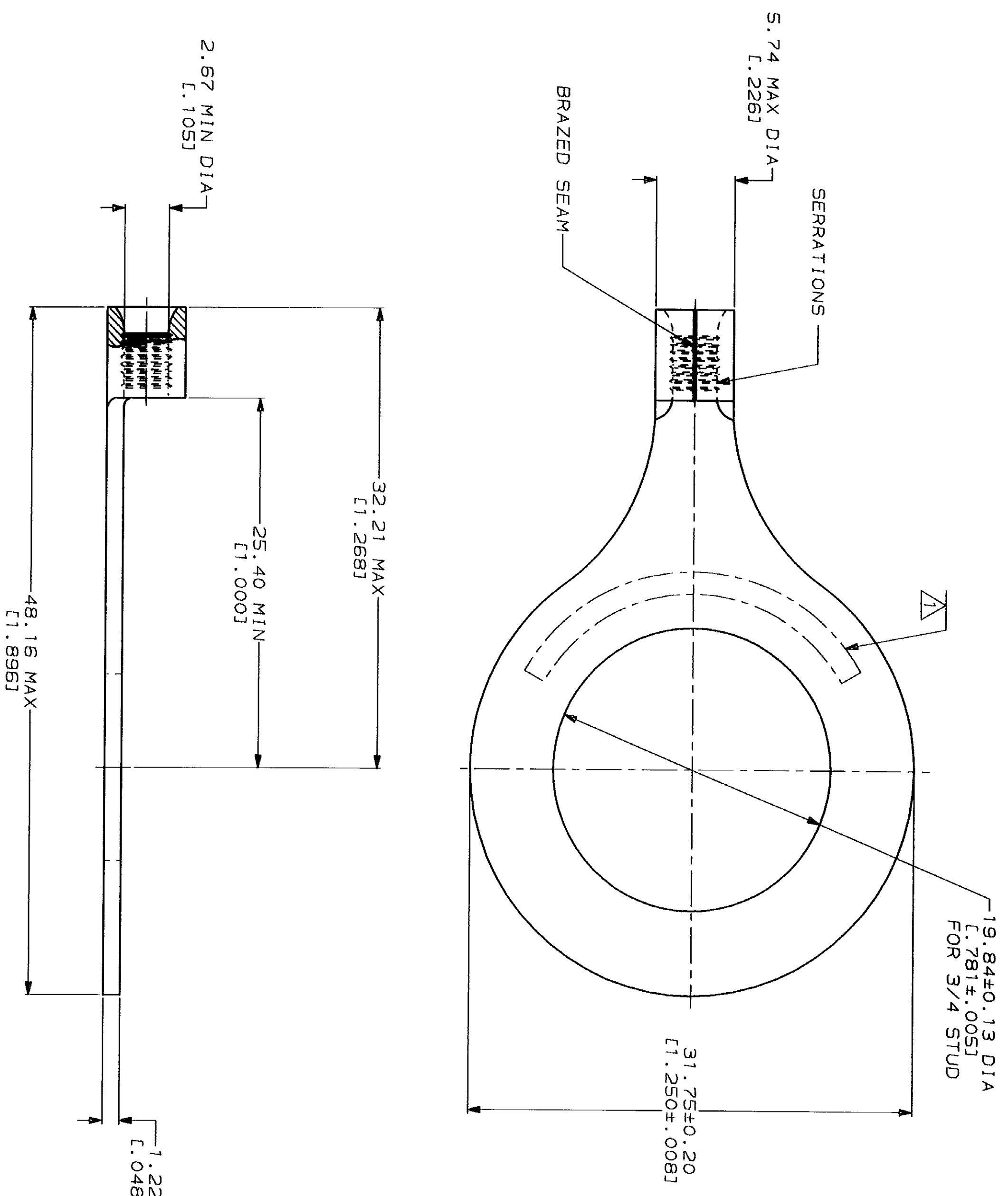


LOC	DIST	P	ZONE	LTR	DESCRIPTION	DATE	APPD
G	14			C	REV & REDRAWN PER 0720-0040-93	3-17-93	16 DAP



<b>AMP</b> WIRE RANGE	<b>UL</b> E13288 Listed
16-14HD AWG SOLID OR STRANDED	16-14HD AWG STRANDED
<b>LR7189</b> Certified	MILITARY P/N AND CLASS
16-14HD AWG SOLID OR STRANDED	NOT APPLICABLE

△ STAMP AMP 16-14HD\* APPROX AS SHOWN



**AMP INCORPORATED  
 CUSTOMER SERVICE SYSTEMS**

FOR ADDITIONAL PRODUCT INFORMATION OR COPIES OF DRAWINGS AND TECHNICAL DOCUMENTS	PRODUCT INFORMATION CENTER 1-800-522-6752
FOR APPLICATION TOOLING INFORMATION	TOOLING ASSISTANCE CENTER 1-800-722-1111
FOR ORDER ENTRY	1-800-526-5142

MAX RECOMMENDED OPERATING  
 TEMPERATURE: 170°C MAX

VOLTAGE RATING:  
 NOT APPLICABLE

WIRE CROSS SECTIONAL AREA RANGE:  
 1.04-2.62mm<sup>2</sup> [2.050-5.180] CIR MILS  
 SOLID OR STRANDED

DO NOT SCALE PRINT.  
 UNLESS SPECIFIED  
 DIMENSIONS IN mm - FINISHES -  
 TOLERANCES ON:  
 2 PLC DEC ±  
 3 PLC DEC ±  
 ANGLES  
 MATERIAL  
 COPPER PER  
 ASTM B-152  
 ANNEALED

DR 3-17-93 TA BRINKMAN
CHK 3-17-93 DA PATTERSON
APPD 3-17-93 DE MILLER
APPD 3-17-93 JL MECKLEY
PRODUCT SPEC
APPLICATION SPEC

**AMP**  
 AMP Incorporated  
 Harrisburg, PA 17105-3608

TERMINAL, RING TONGUE,  
 HEAVY DUTY, SOLISTRAND™

FINISH TIN PLATE 0.0025AL.000100] MIN THK PER MIL-T-10727	DR 3-17-93 TA BRINKMAN	NAME
WEIGHT -	CHK 3-17-93 DA PATTERSON	AMP Incorporated Harrisburg, PA 17105-3608
SCALE 4:1	APPD 3-17-93 DE MILLER	TERMINAL, RING TONGUE, HEAVY DUTY, SOLISTRAND™
	APPD 3-17-93 JL MECKLEY	AMP Incorporated Harrisburg, PA 17105-3608
	PRODUCT SPEC	TERMINAL, RING TONGUE, HEAVY DUTY, SOLISTRAND™
	APPLICATION SPEC	AMP Incorporated Harrisburg, PA 17105-3608

320759  
 PART NO

# Mouser Electronics

Authorized Distributor

Click to View Pricing, Inventory, Delivery & Lifecycle Information:

[TE Connectivity:](#)

[320759](#)