

THIS DRAWING IS UNPUBLISHED.

RELEASED FOR PUBLICATION

ALL RIGHTS RESERVED.

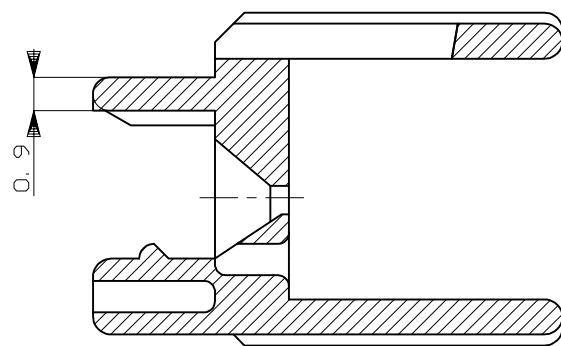
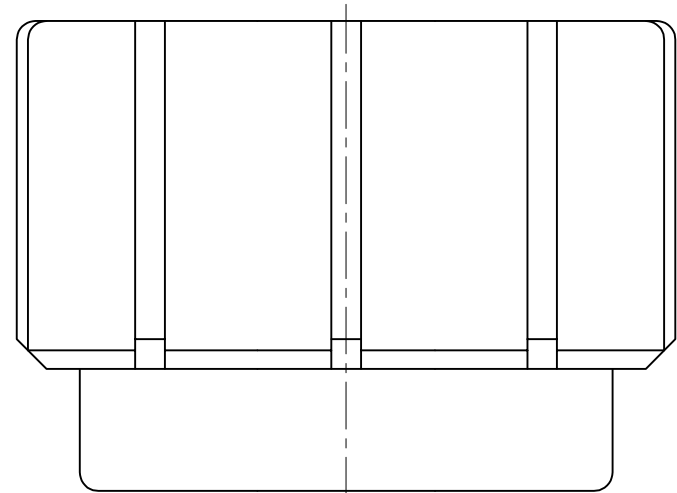
© COPYRIGHT - By -

LOC J

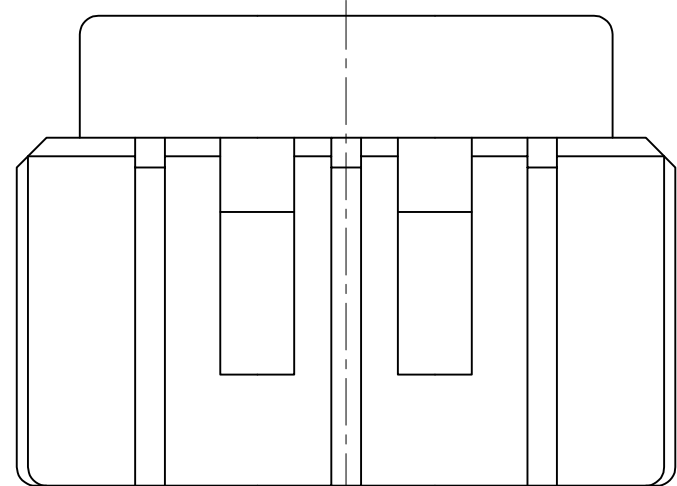
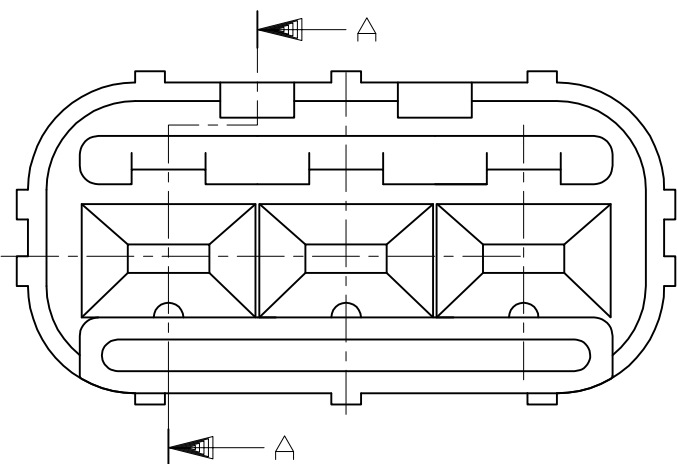
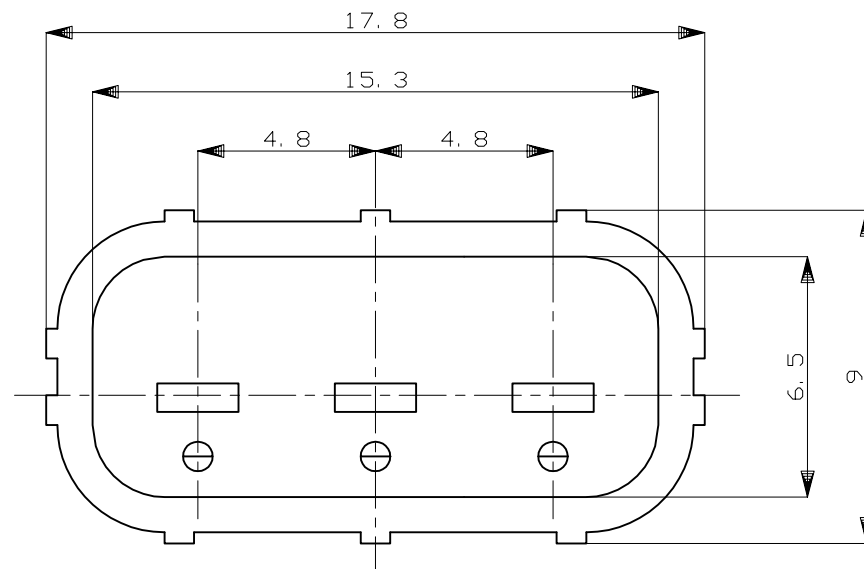
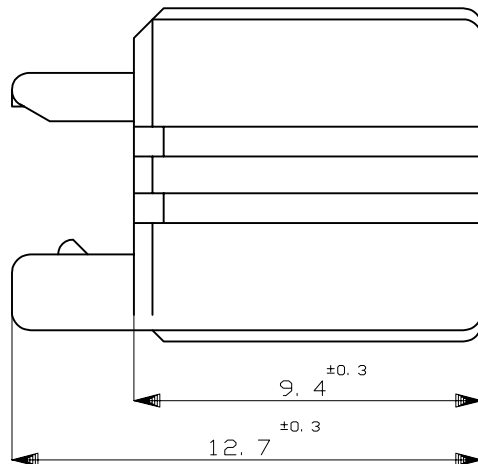
DIST -

REVISIONS

P	LTR	DESCRIPTION	DATE	DWN	APVD
C1	REVISED	ECR-15-000191	08JAN2014	TS	KB



SECTION 断面 A-A



1. 本品は、キャップハウジング型番174359に装着される。

1. TO BE MATED WITH CAP HOUSING (PN:174359)

HB	自然色 (NATURAL)	1-174360-1
V-2	黄 (YELLOW)	174360-7
使用材料難燃グレード (FLAMMABILITY OF MATERIAL)	色 (COLOR)	型番 (PART NUMBER)

THIS DRAWING IS A CONTROLLED DOCUMENT.		DWN K.ODA 8/19'87	STE TE Connectivity	
DIMENSIONS: mm		CHK Y.MATSUSAKA 8/24'87		
TOLERANCES UNLESS OTHERWISE SPECIFIED:		APVD M.NOGUCHI 8/25'87	NAME	
0 PLC ±-		PRODUCT SPEC	3P. ECONOSEAL J-MARKII+ CONNECTOR	
1 PLC ±-		APPLICATION SPEC	DOUBLE LOCK PLATE FOR CAP HOUSING	
2 PLC ±-		WEIGHT -	SIZE A3	CAGE CODE 00779
3 PLC ±-		CUSTOMER DRAWING	DRAWING NO C-174360	RESTRICTED TO -
4 PLC ±-			SCALE 5:1	SHEET 1 of 1
ANGLES ±-				REV C1
MATERIAL PBT				
FINISH -				

GENERAL TOLERANCE	
0 < * ≤ 10	: ±0.2
10 < * ≤ 30	: ±0.25
30 < * ≤ 100	: ±0.3
ANGLES	: ±3°

Mouser Electronics

Authorized Distributor

Click to View Pricing, Inventory, Delivery & Lifecycle Information:

[TE Connectivity:](#)

[174360-7](#)