

This document is the property of Amphenol Corporation and is delivered on the express condition that it is not to be disclosed, reproduced or used, in whole or in part, for manufacture or sale by anyone other than Amphenol Corporation without its prior consent, and that no right is granted to disclose or to use any information in this document.

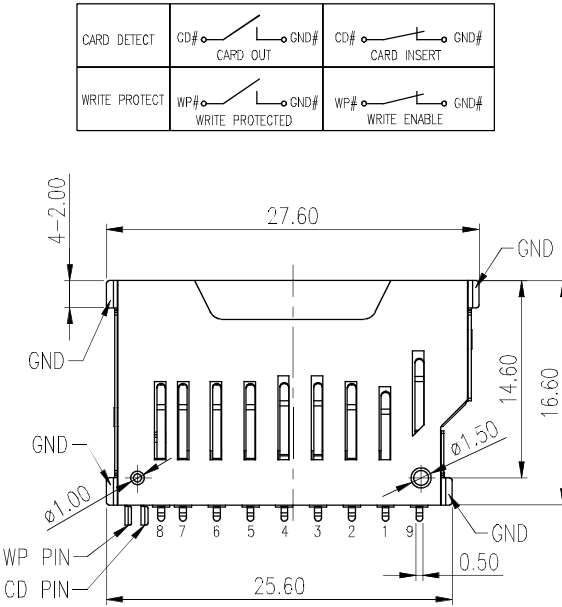
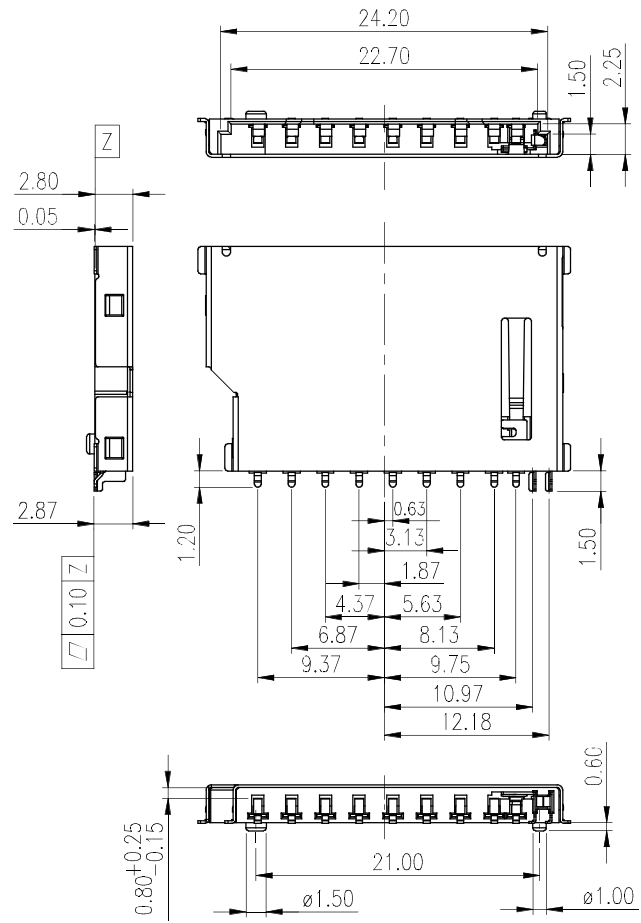
The marking on this product doesn't contain environmental hazardous materials per Material Specification 55-00259 for Sony GP compliant or per directive 2011/65/EU for RoHS compliant.

FOR REFERENCE ONLY

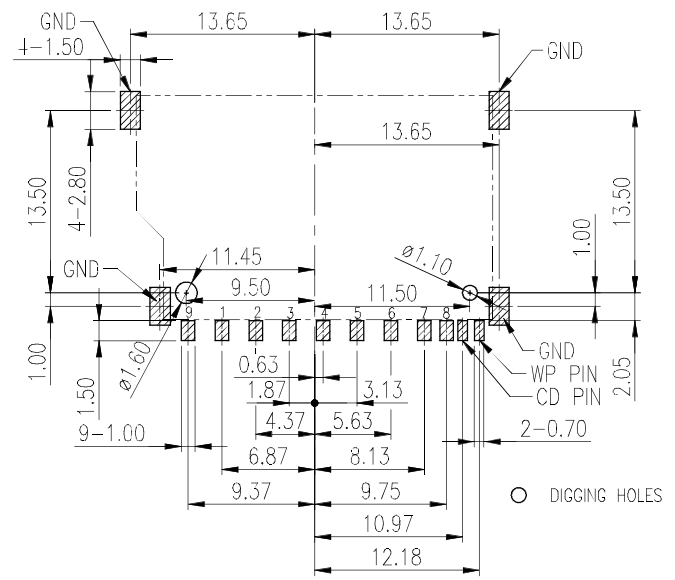
REVISIONS				
SYM	ECN No.	DESCRIPTION	DATE	APPROVED
AX1	EDSR#6970	NON-RELEASE REVISION	12/29/2016	Roger Tsai
AX2	EDSP#7421	UPDATE DIMENSION	05/12/2017	Roger Tsai
AX3	EDSR#7616	REMOVE ROUTE KEEPOUT	07/11/2017	Roger Tsai
AX4	EDSR#7889	ADD PACKAGE	09/14/2017	Roger Tsai

NOTES:

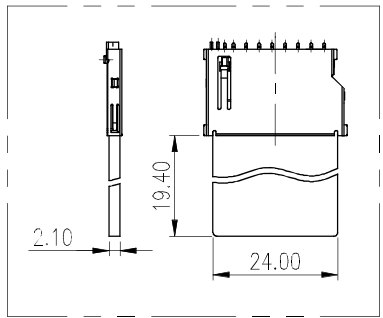
- MATERIAL:
HOUSING: HIGH TEMPERATURE THERMAL PLASTIC LCP, UL94V-0, COLOR: BLACK.
TERMINAL: COPPER ALLOY.
SHELL: STAINLESS STEEL.
- FINISH:
TERMINAL:
CONTACT AREA: GOLD PLATING OPTION;
SOLDERING AREA: TIN PLATING 100 μ" THICKNESS MIN.;
UNDER PLATING: NICKEL PLATING 50 μ" THICKNESS MIN. OVERALL.
SHELL: GOLD FLASH ON SOLDERING PAD.
NICKEL PLATING 50 μ" THICKNESS MIN. OVERALL.
- PACKING IS PER AMTA PACKING SPECIFICATION PKS-0001.
- THIS PRODUCT IS HALOGEN-FREE PRODUCT.



SD CARD PIN ASSIGNMENT		
Pin NO.	Name	Description
1#	CD/DAT3	Card detect/data I/O
2#	CMD	Command
3#	VSS1	Ground
4#	VDD	Power
5#	CLK	Clock
6#	VSS2	Ground
7#	DAT0	Data I/O
8#	DAT1	Data I/O
9#	DAT2	Data I/O



RECOMMEND P.C.BOARD LAYOUT
PCB TOLERANCE: ±0.05



PART NO. GMC02008 X HR

CONTACT FINISH
0: GOLD FLASH
1: 5 μ" GOLD
2: 10 μ" GOLD
3: 15 μ" GOLD

TOLERANCE	APPROVALS	DATE	TITLE
X. ±0.30	DRAWN Karen Su	09/14/2017	GMC SERIES 2 IN 1 CONN. SD+MMC
X.X ±0.20	CHECKED Aqua Chou	09/14/2017	
X.XXX ±0.10	APPROVED Roger Tsai	09/14/2017	
ANGULAR ±1°	DWG TYPE CUST DWG	PROJECT CODE OTHER	

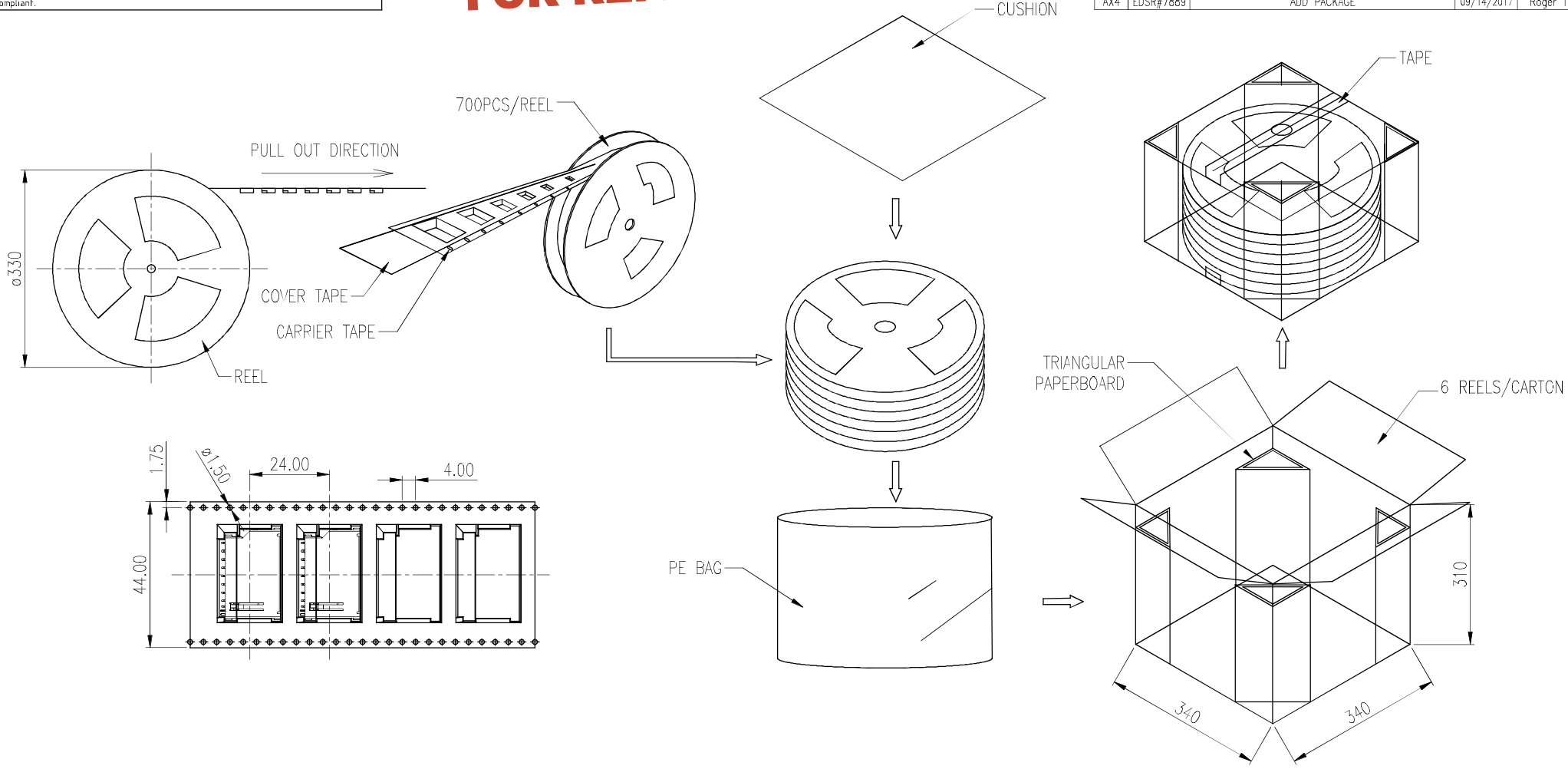
UNIT		SIZE	PART No.	TITLE	
mm	NA	A3	GMC02008XHR	GMC SERIES 2 IN 1 CONN. SD+MMC	
SCALE	SHEET	DWG No.	REV.	TITLE	
1 OF 2	1 OF 2	GMC02008XHR	AX4	Amphenol® Amphenol Corporation Amphenol Taiwan Corporation	

This document is the property of Amphenol Corporation and is delivered on the express condition that it is not to be disclosed, reproduced or used, in whole or in part, for manufacture or sale by anyone other than Amphenol Corporation without its prior consent, and that no right is granted to disclose or to use any information in this document.

The marking on this product doesn't contain environmental hazardous materials per Material Specification 55-00759 for Sony GP compliant or per directive 2011/65/EU for RoHS compliant.

FOR REFERENCE ONLY

REVISIONS				
SYM	ECN No.	DESCRIPTION	DATE	APPROVED
AX1	EDSR#6970	NON-RELEASE REVISION	12/29/2016	Roger Tsai
AX2	EDSP#7421	UPDATE DIMENSION	05/12/2017	Roger Tsai
AX3	EDSR#7616	REMOVE ROUTE KEEPOUT	07/11/2017	Roger Tsai
AX4	EDSR#7889	ADD PACKAGE	09/14/2017	Roger Tsai



PACKAGING	12.15	10.92	700	6	4200	GMC02008XHR
BY TRAY	G/W	N/W	PCS/	REELS/	QUANTITY	PART NUMBER
	KG	KG	REEL	CARTON	(PCS)	

TOLERANCE	APPROVALS	DATE	TITLE		PART No.	
X. ±0.30	DRAWN Karen Su	09/14/2017	GMC SERIES 2 IN 1 CONN. SD+MMC		Amphenol® Amphenol Corporation Amphenol Taiwan Corporation	
X.X ±0.20	CHECKED Aqua Chou	09/14/2017				
X.XXX ±0.10	APPROVED Roger Tsai	09/14/2017				
ANGULAR ±1°	DWG TYPE CUST DWG	PROJECT CODE OTHER	UNIT mm	SIZE A3	GMC02008XHR	
UNLESS OTHERWISE SPECIFIED			SCALE NA	SHEET 2 OF 2	DWG No. GMC02008XHR	REV. AX4

Mouser Electronics

Authorized Distributor

Click to View Pricing, Inventory, Delivery & Lifecycle Information:

[Amphenol:](#)

[GMC020081HR](#) [GMC020080HR](#) [GMC020083HR](#)