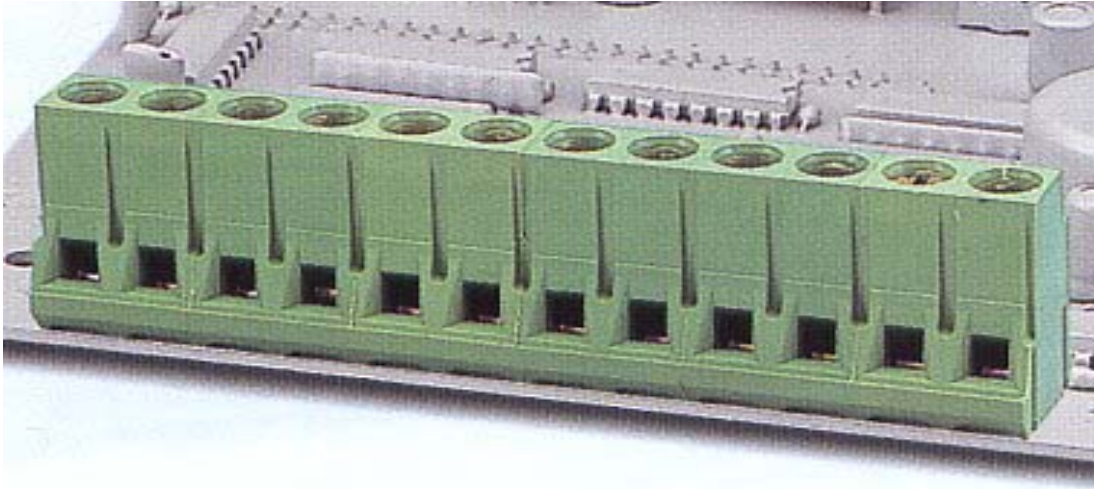


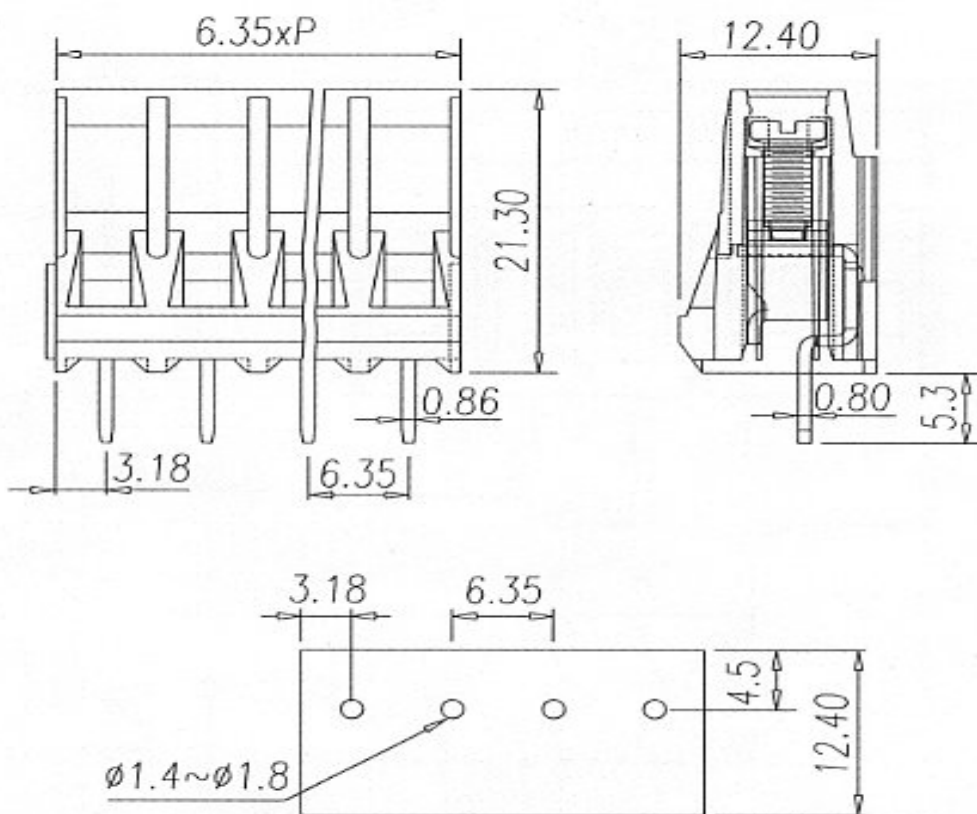
Type: 25EV

Pitch: 6.35mm

Picture:



Drawing:



Technical Data	UL	IEC
Rated Voltage	300V	250V
Rated Current	32A	32A
Wire range		4 mm ²
Solid Wire(AWG)	20~10	
Stranded wire(AWG)	20~10	
Insulation withstand voltage		2.5KV
Torque (Lb-in)		5
Screw		M3
Wire strip length		6~7 mm

Approval **UR**

Pole	Order-No.	Pol.
02	25EV 02P	
03	25EV 03P	