

FEATURES

- Full-scale measurement of AC Current
- Highly visible 3-1/2 digit LED display with adjustable intensity
- Responsive bar-graph display provides indication of rapidly changing inputs, emulating analog movement meters
- Measurement accuracy within 1% of reading + 4 counts
- Selectable *True RMS* or *Average Reading* modes
- Precision internal shunt resistor
- Switch configurable settings simplify adaptation for use in a wide range of applications
- Low burden voltage (<100mV)
- Rugged Polycarbonate Housing
- Mechanical drop-in replacement for common analog-movement meters
- Operates from an external 100-264 VAC power supply source
- Low power consumption, typically 15 mA at 120 VAC
- Two-year warranty



For full details go to
www.murata-ps.com/rohs

PRODUCT OVERVIEW

DMR35-ACA/mA series panel meters measure AC current, from 100mA to 10A, displayed in up to 3-1/2 digits of resolution and features a 21-segment bar-graph for tracking rapidly changing inputs. Internal precision shunt resistors simplify setup and provide increased accuracy compared with solutions relying on external shunt resistors. Basic safety isolation between the measurement and power inputs is provided.

Rear-accessible DIP switches are provided to set *Measurement Mode*, *Input Range* and *Display Brightness*.

This meter is capable of displaying *True RMS Mode*, for compatibility with modern digital multimeters as well as *Average Reading Mode*, for compatibility with legacy analog meters

APPLICATIONS

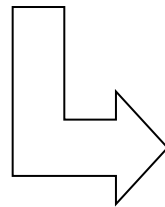
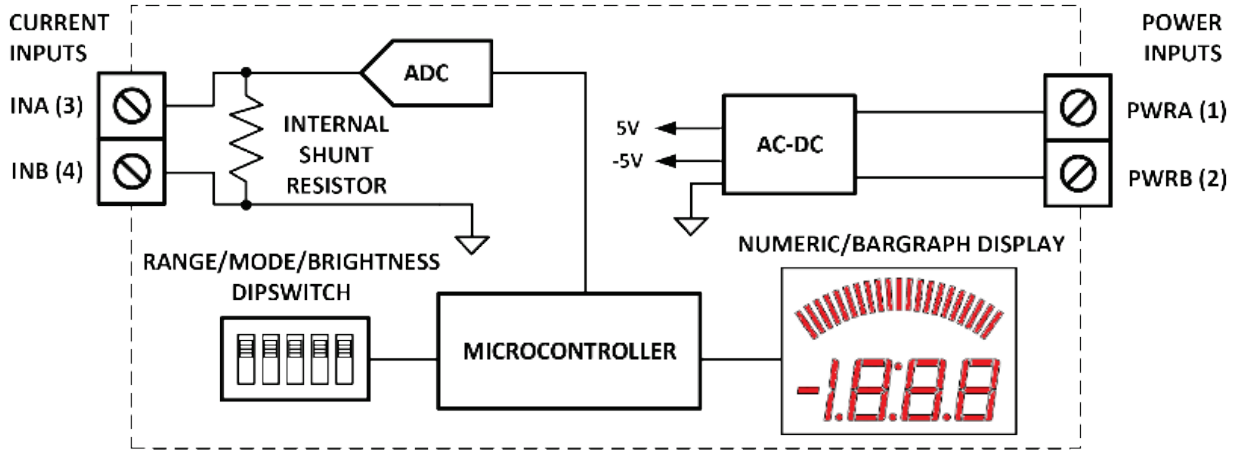
These meters are packaged in a rugged polycarbonate housing and designed for drop-in replacement of most 2-1/2" form-factor analog-movement meters.

Ideal for use in laboratory instrumentation, factory automation, and other applications requiring precise full-scale AC voltage monitoring.

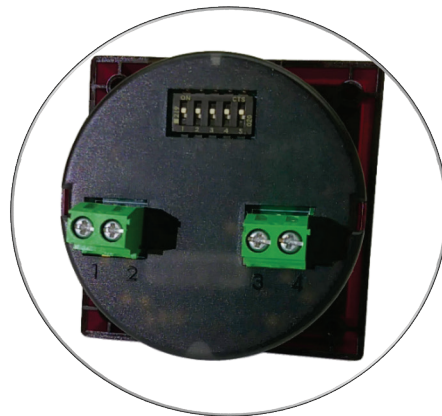
ORDERING INFORMATION:

MODEL NUMBER	DESCRIPTION
DMR35-ACA1-AC1-R	AC Ammeter, 1-3A ranges, 100-264 VAC powered, red display
DMR35-ACA2-AC1-R	AC Ammeter, 5-10A ranges, 100-264 VAC powered, red display
DMR35-ACMA1-AC1-R	AC Milliammeter, 100-500mA ranges, 100-264 VAC powered, red display

SIMPLIFIED BLOCK DIAGRAM



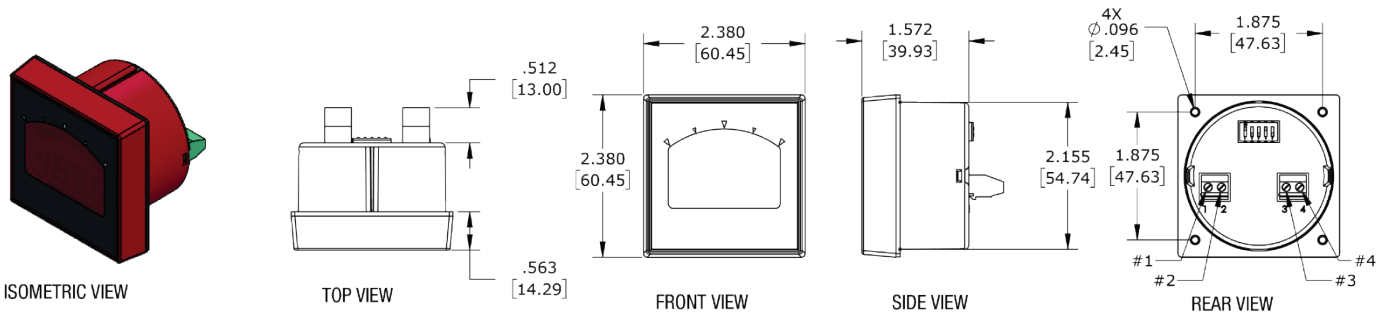
Rear Panel View:



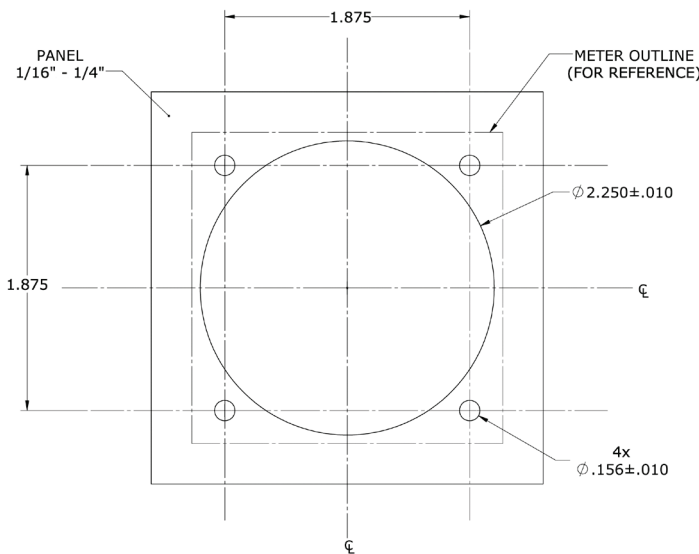
SPECIFICATIONS:

Measurement Performance	Min	Typ.	Max	Units
Measurement Ranges				
DMR35-ACA1		0-1, 0-1.5, 0-2, 0-3		A
DMR35-ACA2		0-5, 0-7.5, 0-10		A
DMR35-ACMA		0-100, 0-200, 0-250, 0-500		mA
Accuracy (25°C, 60 Hz sinusoidal input)		1% of reading +4 counts		
Temperature Stability (full-scale measurement)		0.02		% /°C
Measurement Modes				
	Mean (Average) and True RMS, DIP Switch selectable			
Measurement Frequency Range ¹	20		120	Hz
Input Signal Crest Factor	1		3	
Burden voltage at highest range, full-scale input current²				
DMR35-ACA1 (3 A)		70		mV
DMR35-ACA2 (10 A)		90		mV
DMR35-ACMA1 (500mA)		50		mV
Isolation/Hipot (power input terminals to measurement input terminals) ³		2150		VDC
¹ Frequency range over which measurement is stable to within ±1% with sinusoidal input ² Burden Voltage ² is the voltage drop across the meter when measuring a current. Burden voltage is specified for a given input current – In this case the maximum rated current at the highest measurement range ³ 100% Tested in production, applied for 2 seconds				
Power Supply Characteristics	Min	Typ.	Max	Units
Power Supply Voltage	100		264	VAC
Power Supply Frequency	47		63	Hz
Power Supply Current				
... at 120 VAC		15		mA
... at 240 VAC		10		mA
Display & User Interface				
Display Type & Size	3-1/2 digit 7-segment, 11.4mm (0.45 in.) high 21 segment curved bar-graph			
Display Color	Red (625nm)			
Decimal Point Selection	Automatic			
Out-of-range Indication	Flashing display			
Measurement Range Selection	Dipswitch selectable (4 ranges)			
Measurement Mode Selection	Dipswitch selectable (Mean Reading (Average) or True RMS)			
Display Intensity Control	Dipswitch selectable (4 ranges)			
Terminal Blocks				
Wire Size	14-24 AWG			
Insulation Strip Length	6mm (0.24 in.)			
Screw Tightening Torque	0.4 N-m (3.5 lb.-in)			
Operating Temperature ¹	0		50	°C
Storage Temperature	-40		70	°C
Humidity (non-condensing)	0		85	%RH
Sealing (front face, when installed with included gasket)	Splash and dust resistant			
Mounting screws (4 included)	#4-20 0.5" thread forming			
Screw Tightening Torque	9 in-lb (1 N-m)			
Panel thickness when used with included mounting screws	0.062 in. (1.6mm)		0.25 in. (6.3mm)	
Weight	2.5 (71)			oz. (g)
¹ Maximum operating temperature applies to both front face and rear of housing. Unit must not be installed so that the rear of housing is exposed to more than the maximum operating temperature when powered.				

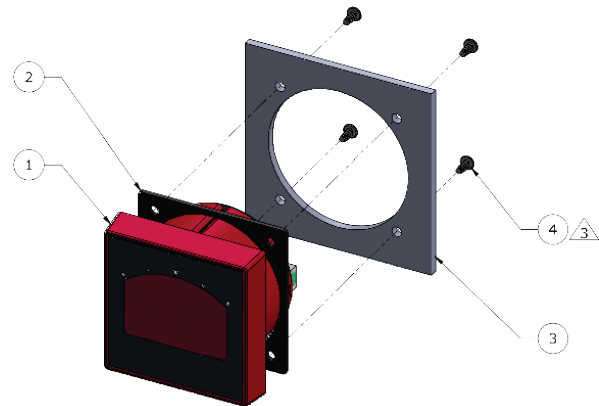
NOMINAL OUTLINE DIMENSIONS



Panel Drill Template



Panel Mounting Details

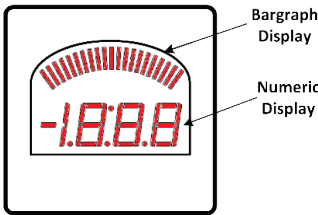


ITEM NO.	DESCRIPTION	QTY.	NOTES
1	DMR35 panel meter	1	Shown for reference
2	Gasket	1	Included with DMR35 panel meter
3	Provided screws are compatible with panel Thickness: 1/16" - 1/4"	REF	Panel shown for reference
4	4-20 x 1/2" thread forming screw	4	Torque: 9 IN-LB (1 N-m) Included with DMR35 panel meter

OPERATION, MEASUREMENT TYPE, CAPABILITIES

DMR35 series employ precision, low power electronics to provide high performance measurement of full-scale measure of AC current. The following illustrations describe the features and operation to simplify deployment in a wide variety of systems.

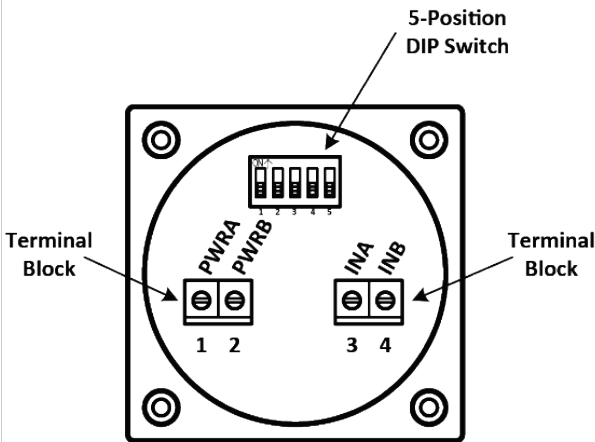
FRONT PANEL LAYOUT AND FUNCTION



Bar-graph Display: The 21-segment bar-graph display responds quickly and smoothly like an analog meter movement to aid in reading rapidly changing measurements.

Numeric Display: The 3-1/2 digit display provides precise numerical measurements for steady-state and slowly changing measurement values.

REAR PANEL LAYOUT AND FUNCTION



Terminal Position No.	Name	Function
1	PWRA	Power supply input terminals (100-264 VAC, 50/60Hz)
2	PWRB	
3	INA	Current measurement input terminals
4	INB	

DIP Switch Settings: Comprised of five individual switches for configuration as follows:

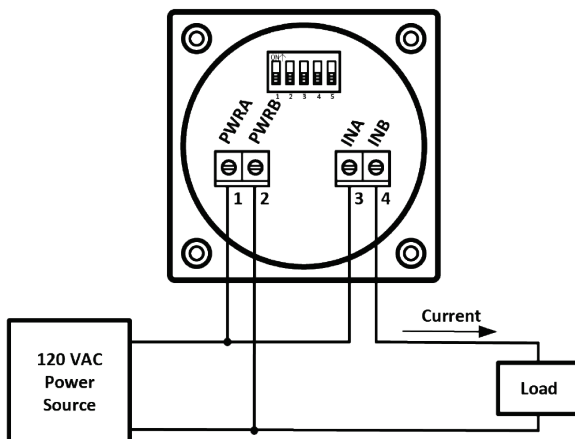
configure display intensity (SW1-SW2), measurement mode (SW3), and measurement range (SW4-SW5)

Notes:

- 1) Ensure all screw-terminals are tightened in accordance with the torque specifications for reliable operation.
- 2) Stranded wire is recommended for high-vibration applications.
- 3) Basic safety isolation is provided between the meter's measurement and input power electronics, no connection from the measurement-point and AC input power is required
- 4) External fusing for input power and or measurement source may be required. It is incumbent upon the end-user to ensure all local electrical safety regulations and external fusing requirements are followed where-ever this meter is deployed

CONNECTION EXAMPLE

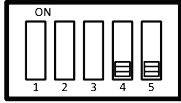
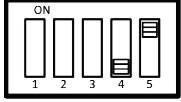
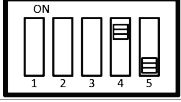
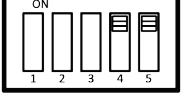
In this application, the DMR-ACAx is configured for simple current measurement where a common power and load connection point is shared.



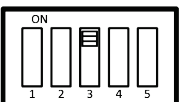
METER CONFIGURATION

Five configuration switches are provided to configure *measurement range*, *measurement mode*, and *display intensity*.

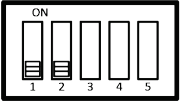
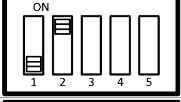
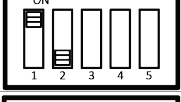
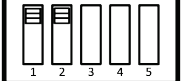
Measurement Range: Switches 4 and 5:

Switch Setting			DMR35 Model		
4	5	Dipswitch	-ACA1	-ACA2	-ACMA
OFF	OFF		0-1 A AC	0-5 A AC	0-100 mA AC
OFF	ON		0-1.5 A AC	0-7.5 A AC	0-200 mA AC
ON	OFF		0-2 A AC	0-10 A AC	0-250 mA AC
ON	ON		0-3 A AC	0-10 A AC	0-500 mA AC

Measurement Mode: Switch 3:

Switch Setting by Position No.		Measurement Mode
3	Dipswitch	
OFF		'Average' Reading (RMS adjusted)
ON		RMS Reading

Display Intensity: Switches 1 and 2:

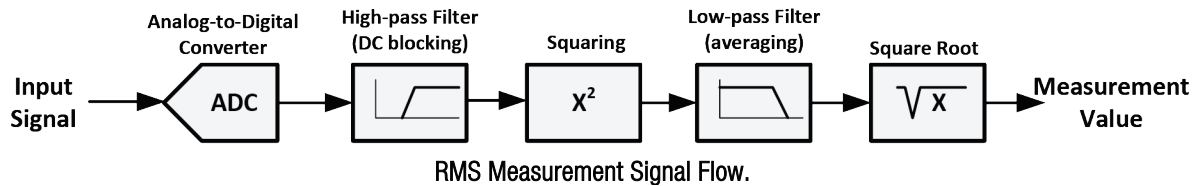
Switch Setting by Position No.			Display Intensity
1	2	Dipswitch	
OFF	OFF		Low
OFF	ON		Medium
ON	OFF		High
ON	ON		High 2 (Subtle increase in intensity compared with 'High' setting)

RMS MEASUREMENT MODE VS. AVERAGE MEASUREMENT MODE

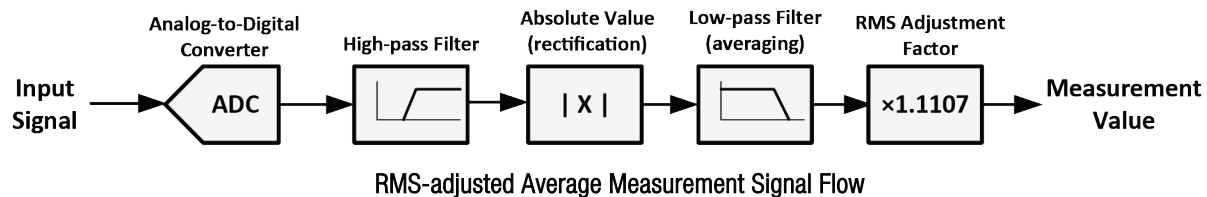
These meters are capable of both RMS and Average Reading (RMS adjusted) measurement modes:

RMS (Root-Mean-Square) Mode – RMS current can be thought of as the equivalent DC current required to dissipate a given amount of energy in a resistive load. Benefit of RMS measurements:

- Provides an indication of delivered power, independent of the exact waveform being measured
- Comparable with most high-quality handheld multimeters that tend to adapt RMS measurement



Average-Reading mode – is a measurement of the average rectified value of the current waveform. Since the resultant measurement differs from that of RMS, it is typically 'adjusted' to match what an RMS value would be if it were measuring a sinusoidal waveform. The benefit of this measurement mode is it enables DMR35 meters to provide measurements comparable to those provided by many electro-mechanical analog meters.



Note that both measurement modes adapt a digital high-pass filter, placed after the ADC, to remove any DC bias from the input signal and generate a signal that is symmetric about zero. As a result, these meters only measure the AC component of the input signal, and not the DC component – a DC signal presented to the meter will read as zero. Significant amounts of DC input signal, however, may force the meter's ADC into over-range and reduce measurement accuracy. For this reason, the DMR35-ACA/mA series of meters should not be used to measure currents having a significant DC component.

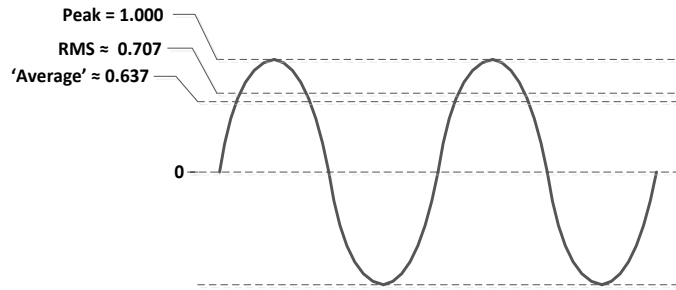
Crest Factor

When making AC measurements, the shape of the waveform to be measured can influence the measurement results. One of the most basic metrics used to quantify waveform shape is *crest factor*, which is defined as the ratio between the waveform's peak value and its RMS value.

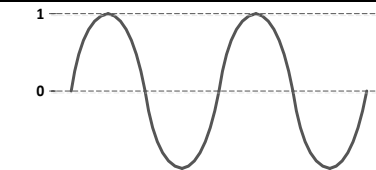
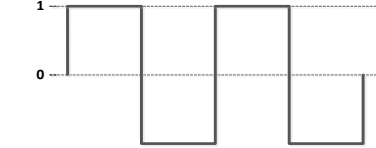
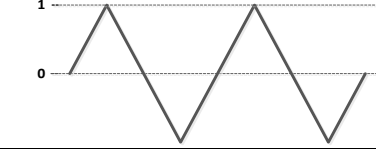
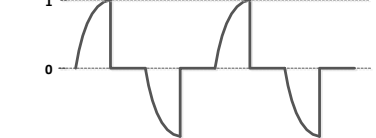
$$\text{Crest factor} = \frac{\text{Peak Value}}{\text{RMS Value}}$$

**(CONTINUED):
RMS MEASUREMENT MODE VS. AVERAGE MEASUREMENT MODE**

In the case of a sinusoidal waveform, the figure below shows the relevant quantities.



The table below lists the crest factor, RMS and average values for various familiar waveforms. It illustrates the extent RMS-adjusted average measurement can vary significantly in relation to the RMS measurement for signals with non-sinusoidal waveforms.

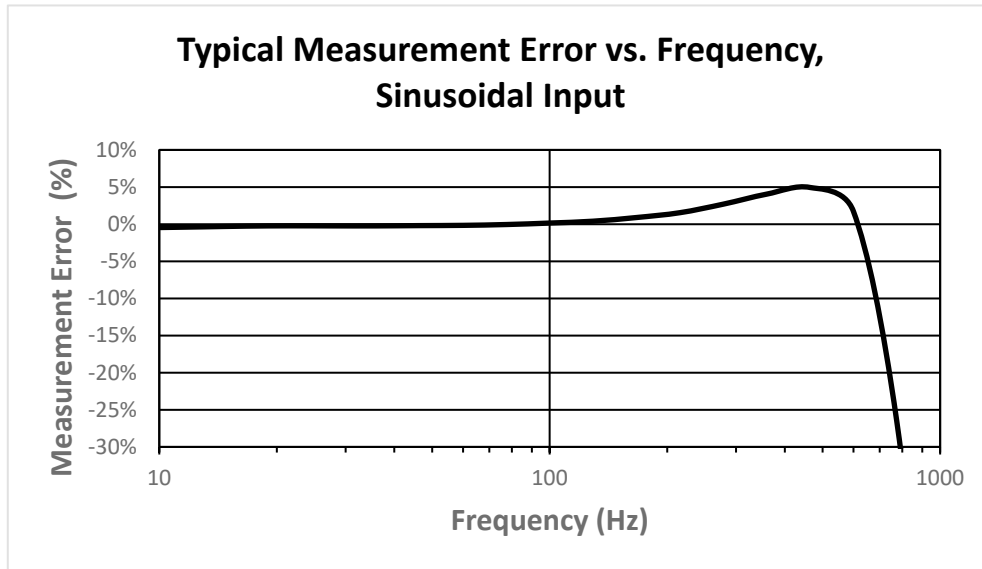
Waveform	Crest Factor	RMS Value	'Average' Value	Average Value with RMS adjustment	% Deviation from RMS
 <p>Sinusoid</p>	1.414	0.707	0.637	0.707	0%
 <p>Square wave</p>	1.000	1.000	1.000	1.111	+11%
 <p>Triangle</p>	1.732	0.577	0.500	0.555	-4%
 <p>Phase-controlled Sinusoid – leading 50%</p>	2.000	0.500	0.318	0.354	-29%

While an ideal measuring instrument would be able to handle any input waveform, realizable meters have restrictions on the maximum allowable crest factor for accurate measurements. DMR35 AC meters are designed to handle signals with crest factors up to 3 with minimal additional measurement errors.

(CONTINUED):
RMS MEASUREMENT MODE VS. AVERAGE MEASUREMENT MODE.

Frequency Response, Crest Factor, and Accuracy

DMR35 AC meters are designed to accurately measure signals typically seen in 50/60 Hz AC systems. For sinusoidal input waveforms, the measurement error typically varies less than $\pm 1\%$ over the range of 20 Hz to 120 Hz, as shown in the graph below.



Since more complex waveforms contain higher frequency components and varying crest factors, the expected accuracy can vary considerably as a function of both frequency and waveform. The table below shows some typical accuracies for RMS measurements of the following waveforms at specified frequencies.

Waveform	Crest Factor	Typical % Error at Given Frequency ¹				
		30 Hz	60Hz	120 Hz	240 Hz	400 Hz
Sinusoid	1.414	0.0%	0.1%	0.4%	2.2%	4.9%
Square wave	1.000	-0.4%	-1.0%	-2.0%	-3.9%	-4.9%
Triangle	1.732	0.1%	0.1%	0.3%	1.8%	4.1%
Phase-controlled Sinusoid – leading 50%	2.000	-0.7%	-1.5%	-2.6%	-6.0%	-12.4%

¹ DMR35-ACA1 response, measured against calibrated Fluke 8845A RMS digital multimeter

TECHNICAL NOTES



1. Calibration

DMR35 digital panel meters are calibrated at the factory at the time of manufacture. There are no user or field-adjustable calibration features.

2. Wiring

Power supply and input wiring must be rated for the electrical and environmental conditions under which the meter will be operated. They must also comply with any regulatory or application-mandated requirements pertaining to the user's installation. The terminal blocks can accommodate wire gauges ranging from #14 to #24 AWG. Wiring insulation should be stripped to the proper length as described in the Terminal Block specifications table and wires must be inserted into the terminal block openings such that the screw terminal does not pinch any insulation. It is important to tighten all screw terminals to their torque specification, which also may be found in the Terminal Block specifications table. Proper tightening will help ensure reliable operation. Applications subject to vibration should use stranded wire. After final assembly, inspect all terminal block connections for shorts between adjacent conductors; this step is especially important when using stranded wire.

3. Protection and Fusing

DMR35 meters' power supply leads (PWRA, PWRB) are protected against momentary overvoltage and reverse polarity conditions. Input terminals INA and INB are protected against noise and brief transients. Protection, however, is not provided against sustained conditions exceeding the limits listed in the Performance & Functional Specifications Table. External fusing must be supplied by the user in accordance with applicable safety and regulatory requirements for the system in which the meter is installed.

4. Noisy Power Supplies

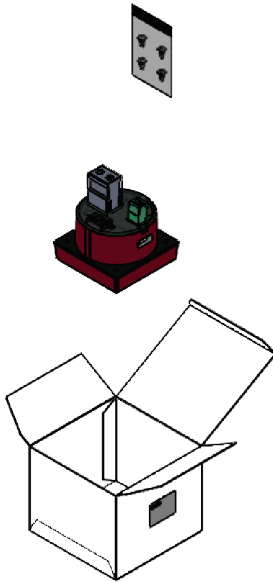
Some power supplies contain high-frequency switching devices that may conduct and/or radiate significant noise onto the low-level signal developed across the measurement inputs. Even though the meter incorporates built-in input filtering, some portion of this noise may be amplified and subsequently measured by its sensitive input circuitry. Limiting runs of wire to less than 3 meters (10 feet) is strongly recommended. In certain situations, the use of twisted pair or shield wiring may be required.

5. Self-Diagnostics

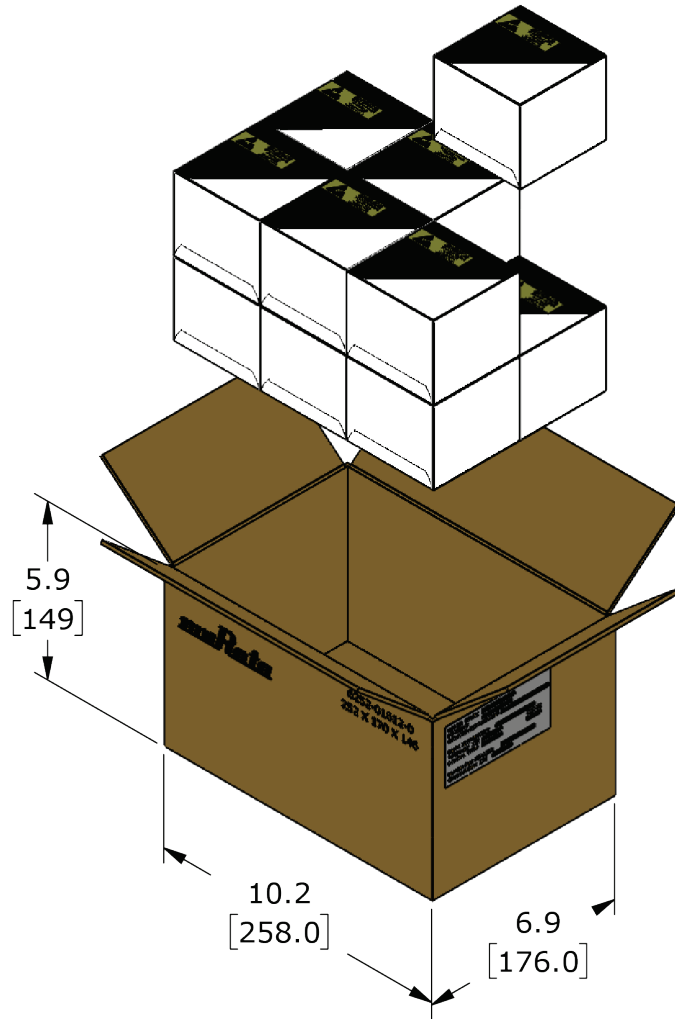
Upon power-on the meter performs a self-test and checks the integrity of calibration data stored in internal non-volatile memory. If the factory calibration data has been corrupted, the meter will display 'CAL' on power-on and approximately once a minute thereafter to indicate that the meter is relying on default calibration factors and that displayed measurements may have more than the datasheet-specified amount of error. If the meter detects other internal fault conditions, it will attempt to reset itself. Repeated restarts, which appear in the form of a highly intermittent display, are indicative of a hardware fault that cannot be cleared through a reset operation, in which case the meter should no longer be used.

STANDARD PACKAGING, NOMINAL DIMENSIONS

INDIVIDUAL PACKAGING
(SHOWN FOR REFERENCE ONLY)



MOQ PACKAGING (12 UP)



Murata Power Solutions, Inc.
129 Flanders Rd. Westborough,
Ma 01581, USA.
ISO 9001 REGISTERED



This product is subject to the following operating requirements and the Life and Safety Critical Application Sales

Policy: Refer to: <https://www.murata-ps.com/requirements/>

Murata Power Solutions, Inc. makes no representation that the use of its products in the circuits described herein, or the use of other technical information contained herein, will not infringe upon existing or future patent rights. The descriptions contained herein do not imply the granting of licenses to make, use, or sell equipment constructed in accordance therewith. Specifications are subject to change without notice.

©2023 Murata Power Solutions, Inc.