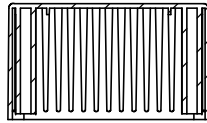


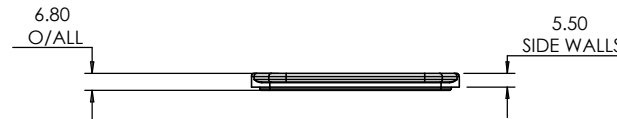
OVERALL ASSEMBLY DIMENSIONS:

EXTERNAL - 173.4 x 82.4 x 50.5

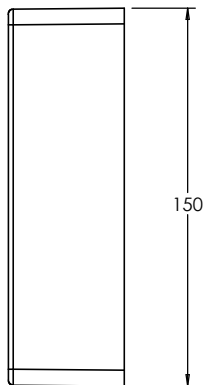
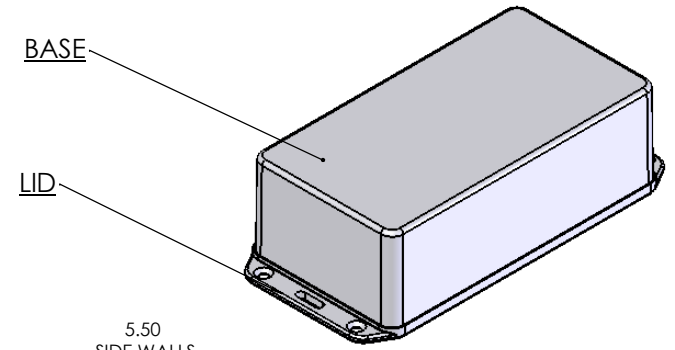
INTERNAL - 146.4 x 76.4 x 46



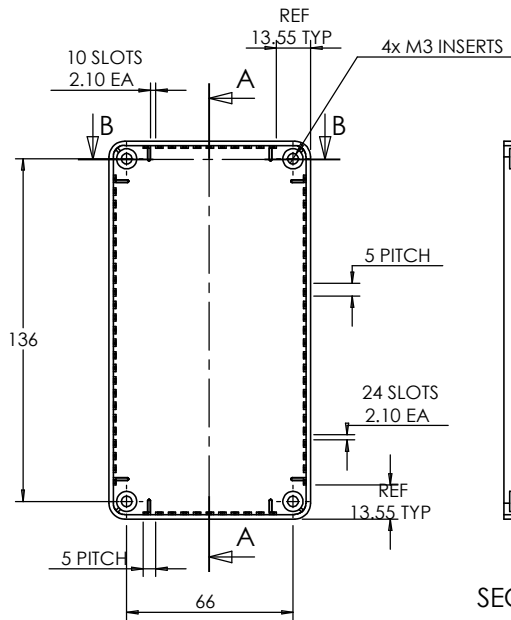
SECTION B-B



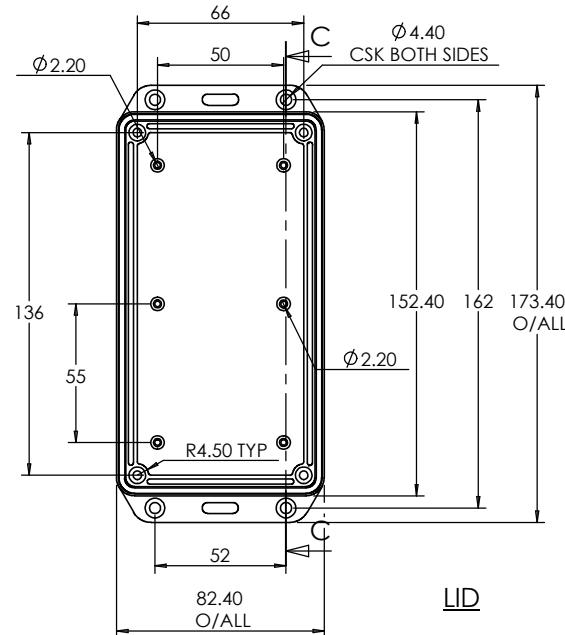
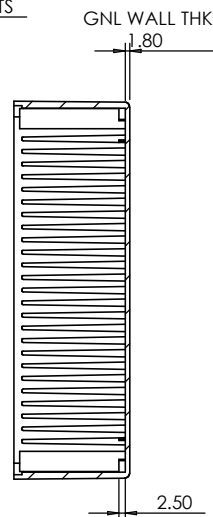
ISO VIEW  
1:3



BASE

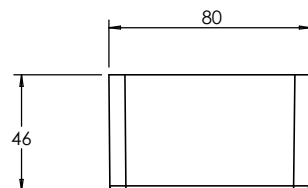


SECTION A-A



LID

SECTION C-C



		UNLESS OTHERWISE SPECIFIED: DIMENSIONS ARE IN MILLIMETERS		DO NOT SCALE DRAWING	REVISION. 0
		FINISH: <b>SMOOTH</b>		TITLE: <b>GNL ASSEMBLY DRG FOR IP 2000-SERIES ENCLOSURE</b>	
JAMES CARTER RD, MILDENHALL, SUFFOLK. IP28 7DE TEL: 01638 716101 FAX: 01638 716554 EMAIL: Sales@CamdenBoss.com WEB: www.CamdenBoss.com		MATERIAL: <b>ABS</b>		DWG NO. <b>2005-IP</b>	
NAME	SIGNED	DATE	PROJECTION.	SCALE: 1:3	SHEET 1 OF 1
DRAWN	CHKD				
SUBKHANKULOVA	LS	27/02/09			A4