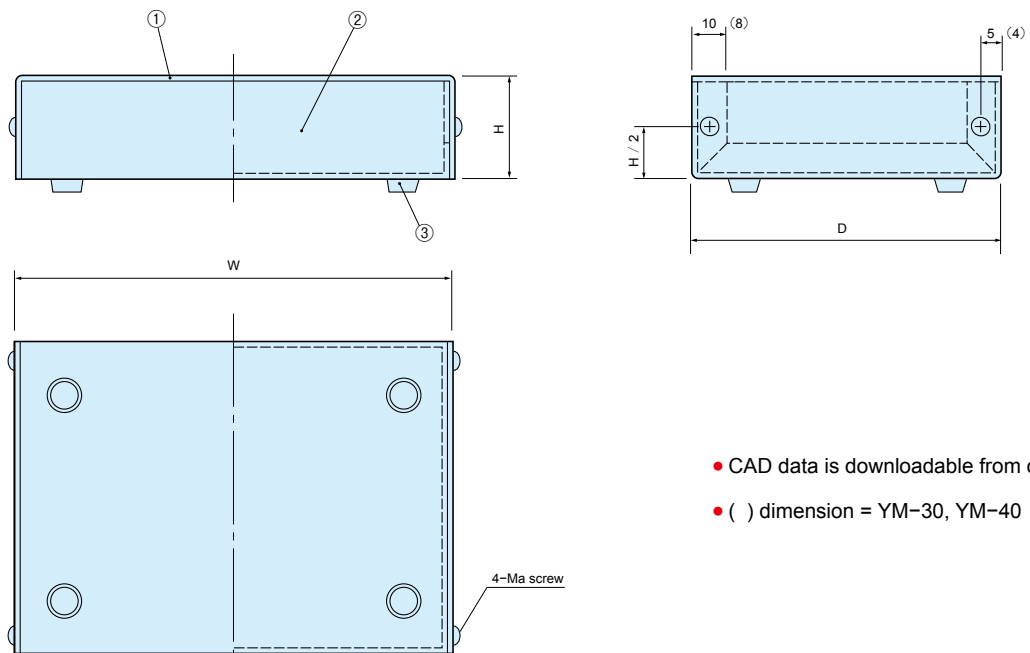


YM SERIES

YM FLAT ALUMINIUM CASE



YM-30 to 150 Dimensions



- CAD data is downloadable from our web.
- () dimension = YM-30, YM-40

Components

Ref. #	Part name	Pcs	Material	Color / Finish
1	Cover	1	Aluminium t1.0	Silver anodized hair-line finish
2	Base	1	Aluminium t1.0	Black painted
3	Rubber feet	4	Rubber	Black
-	Screw	1 set	Brass M3 · M2.6 · M2	Nickel plated

Part no. / Dimensions

Part no.	W	H	D	a	Weight (g)
YM- 30	30	18	25	M2	12
YM- 40	40	22	30	M2	18
YM- 50	50	30	45	M3	36
YM- 65	65	20	50	M2.6	40
YM- 80	80	30	50	M3	53
YM- 90	90	20	60	M2.6	55
YM-100	100	30	70	M3	80
YM-115	115	20	80	M2.6	80
YM-130	130	30	90	M3	115
YM-150	150	40	100	M3	155

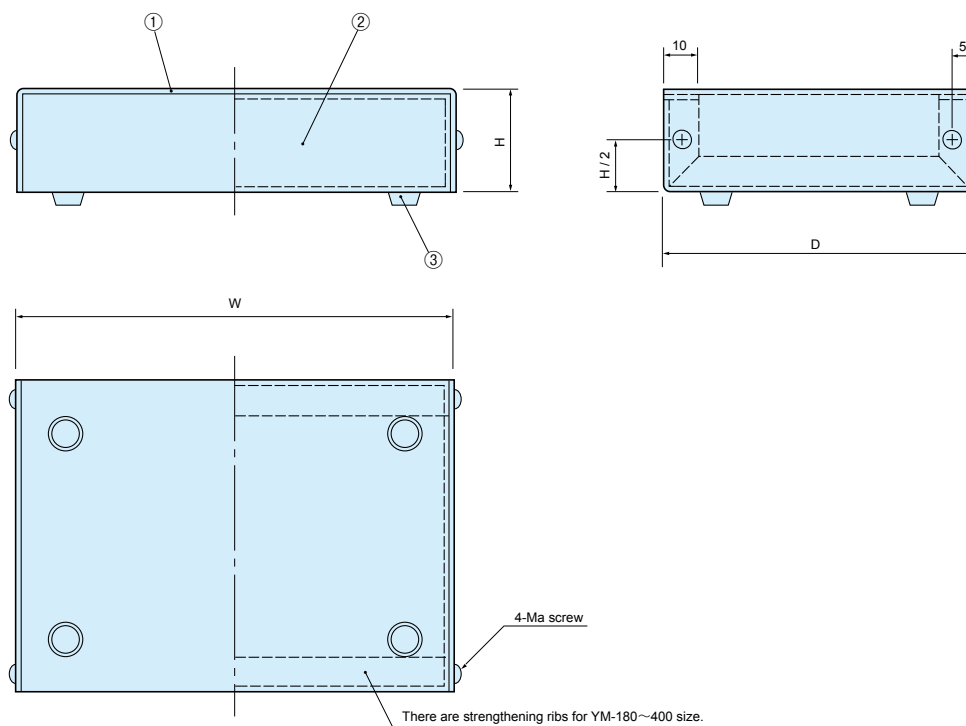
Accessories (Optional parts)





YM-180 to 400 Dimensions

• CAD data is downloadable from our web.



Part no. / Dimensions

Part no.	W	H	D	a	Weight (g)
YM-180	180	40	130	M3	230
YM-200	200	40	150	M3	280
YM-250	250	50	170	M3	395
YM-300	300	50	200	M3	525
YM-350	350	55	230	M3	680
YM-400	400	55	250	M3	815