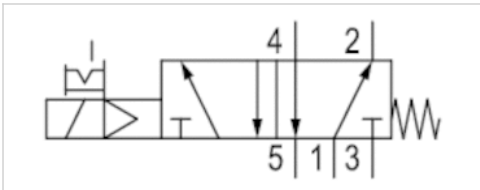




5/2-directional valve, Series LS04-AF

- Qn = 180-310 l/min
- pipe connection
- Compressed air connection output : Ø 4, Ø 6
- Electrical connection : Plug, M8, 3-pin
- Manual override : with detent
- With spring return
- Pilot : internal



Version	Spool valve, zero overlap
Activation	electrically
Pilot	internal
Sealing principle	Soft sealing
Working pressure min./max.	3 ... 7 bar
Ambient temperature min./max.	-10 ... 50 °C
Medium temperature min./max.	-10 ... 50 °C
Medium	Compressed air
Max. particle size	5 µm
Oil content of compressed air	0 ... 5 mg/m ³
Nominal flow Qn	See table below
Connector standard	DIN EN 60947-5-2
Protection class acc. to DIN EN 61140, electrically	Class III
Protection class, with connection	IP65
Protective circuit	Z-diode
LED status display	Yellow
Duty cycle	100 %
Typ. switch-on time	10 ms
Typ. switch-off time	22 ms
Generic emission standard in accordance EN 61000-6-4:2002 with	
Generic immunity standard in accordance IEC 61000-6-2:2005 with	
mounting screws	M3
Mounting screw tightening torque	0.5 Nm
Weight	0.053 kg

Technical data

Part No.	MO	Compressed air connection		Compressed air connection	Operating voltage
		Input	Output	Exhaust	DC
R422103565		Ø 4	Ø 4	Ø 4	24 V
R422103566		Ø 6	Ø 6	Ø 6	24 V

Part No.	Voltage tolerance	Power consumption	Flow conductance	Flow conductance	Nominal flow Qn
	DC	DC	b	C-value	
R422103565	-10% / +10%	1.3 W	0.3	0.8 l/(s*bar)	180 l/min
R422103566	-10% / +10%	1.3 W	0.27	1.5 l/(s*bar)	310 l/min

Nominal flow Qn at 6 bar and Δp = 1 bar, MO = Manual override

Technical information

The min. control pressure must be adhered to, since otherwise faulty switching and valve failure may result!

The pressure dew point must be at least 15 °C under ambient and medium temperature and may not exceed 3 °C .

The oil content of compressed air must remain constant during the life cycle.

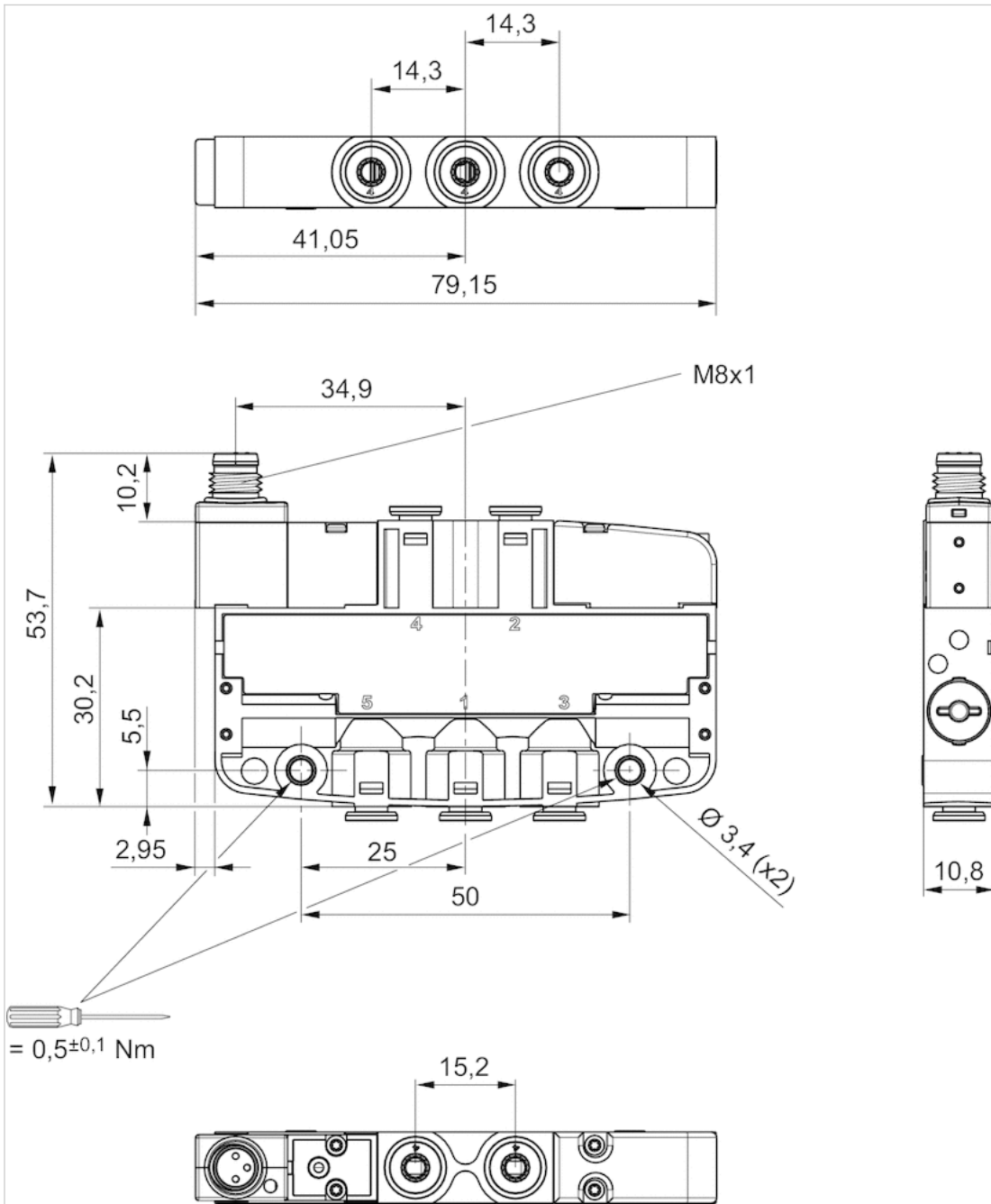
Use only the approved oils from AVENTICS. Further information can be found in the "Technical information" document (available in the MediaCentre).

Technical information

Material	
Housing	Polyoxymethylene
Seals	Acrylonitrile butadiene rubber, Hydrogenated nitrile butadiene rubber, Polyurethane

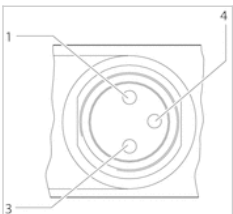
Dimensions

dimensions single solenoid



Pin assignments

PIN assignment for valve plug connectors



1) Pin not assigned 3) 0 V4) 24 V Note: Bi-polar protective circuit to prevent overvoltage

