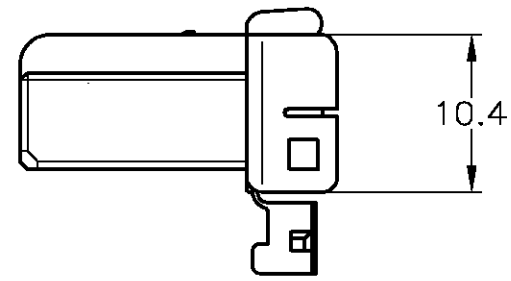
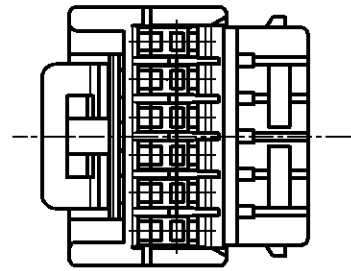
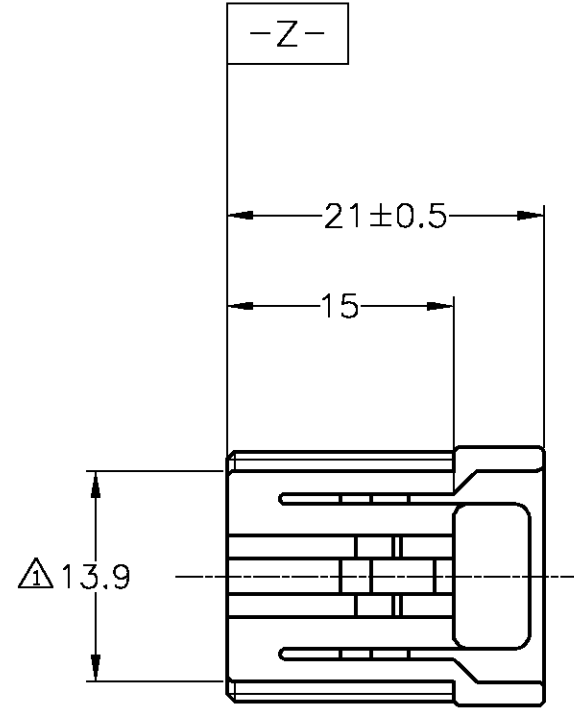
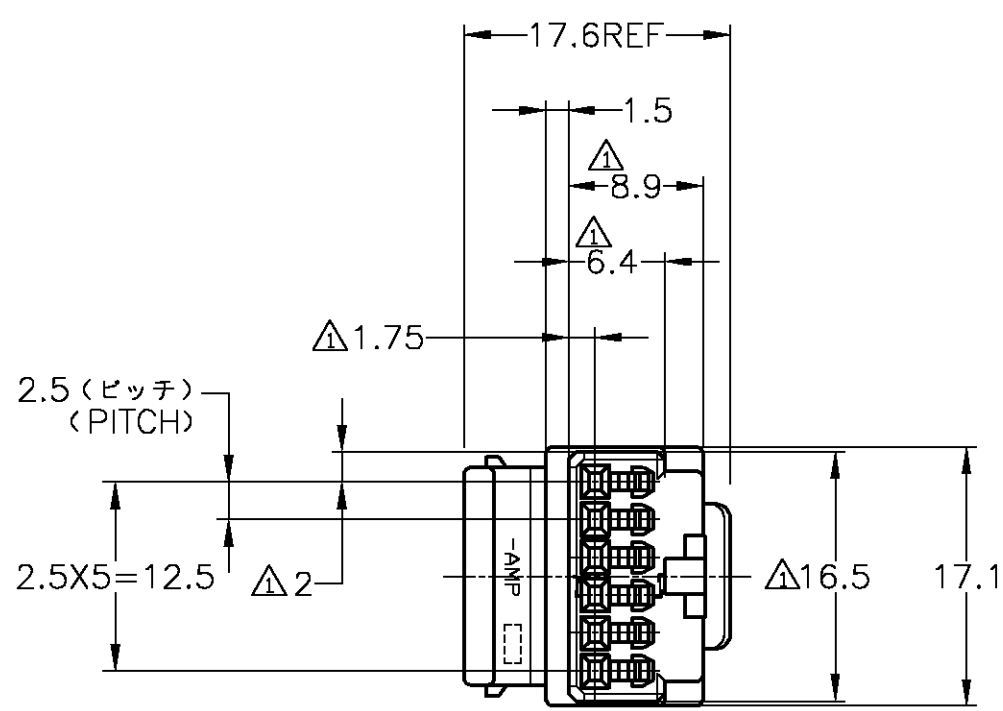


THIS DRAWING IS UNPUBLISHED. RELEASED FOR PUBLICATION  
 © COPYRIGHT BY TYCO ELECTRONICS CORPORATION. ALL RIGHTS RESERVED.

| LOC | DIST | REVISIONS |         |               |         |     |      |
|-----|------|-----------|---------|---------------|---------|-----|------|
|     |      | P         | LTR     | DESCRIPTION   | DATE    | DWN | APVD |
| —   | —    | 01        | REVISED | ECR-06-027725 | 28NOV06 | MS  | KB   |



△ MUST BE KEPT BETWEEN  $\square$ -Z- AND 2mm  
 2. THE MATING CAP HOUSING PART NUMBER; 175506  
 3. APPLIED CONTACT PART NUMBER 173716, 176381  
 4. APPLICABLE PRODUCT SPEC NO. 108-5281

△  $\square$ -Z- 面より 2mm の範囲で測定  
 2. 嵌合相手ハウジング型番: 175506  
 3. 内装するリセブタクルコンタクト型番は 173716, 173681  
 4. 適用製品規格番号: 108-5318

|           |             |
|-----------|-------------|
| 黒 (BLACK) | 175507-2    |
| 色 (COLOR) | PART NUMBER |

TOLERANCES UNLESS OTHERWISE SPECIFIED: 一般公差

|                  |              |
|------------------|--------------|
| 10 <sub>μ</sub>  | : ±0.2       |
| 30 <sub>μ</sub>  | > 10 : ±0.25 |
| 100 <sub>μ</sub> | > 30 : ±0.3  |
| ANGLE            | : ±3°        |

|   |  |                                  |  |  |                 |
|---|--|----------------------------------|--|--|-----------------|
| THIS DRAWING IS A CONTROLLED DOCUMENT.      |  | DWN M.SUGAWARA 24NOV06           | <b>tyco</b><br><b>Electronics</b>                      | Tyco Electronics AMP K.K.<br>Kawasaki, Japan |                 |
| DIMENSIONS: 単位: 概 mm                        |  | CHK K.BETSUI 24NOV06             |  | NAME 6 POSITION PLUG HOUSING                 |                 |
| TOLERANCES UNLESS OTHERWISE SPECIFIED: 一般公差 |  | APVD K.BETSUI 24NOV06            | 040 SERIES MULTI-LOCK I/O CONNECTOR (NON INTERIA TYPE) |  |                 |
| 0 PLC ± -                                   |  | PRODUCT SPEC 製品規格                | SEE NOTE   |  |                 |
| 1 PLC ± -                                   |  | APPLICATION SPEC 取付適用規格          | SIZE A3  |  |                 |
| 2 PLC ± -                                   |  | WEIGHT -                         | CAGE CODE 00779  | DRAWING NO C-175507                          | RESTRICTED TO - |
| 3 PLC ± -                                   |  | CUSTOMER DRAWING                 |  |  |                 |
| 4 PLC ± -                                   |  | SCALE 尺度 2:1 SHEET 1 OF 1 REV 01 |  |  |                 |
| ANGLES ± -                                  |  |                                  |  |  |                 |
| FINISH 仕上 -                                 |  |                                  |  |  |                 |
| MATERIAL 材料 PBT                             |  |                                  |  |  |                 |

# Mouser Electronics

Authorized Distributor

Click to View Pricing, Inventory, Delivery & Lifecycle Information:

[TE Connectivity:](#)

[175507-2](#)