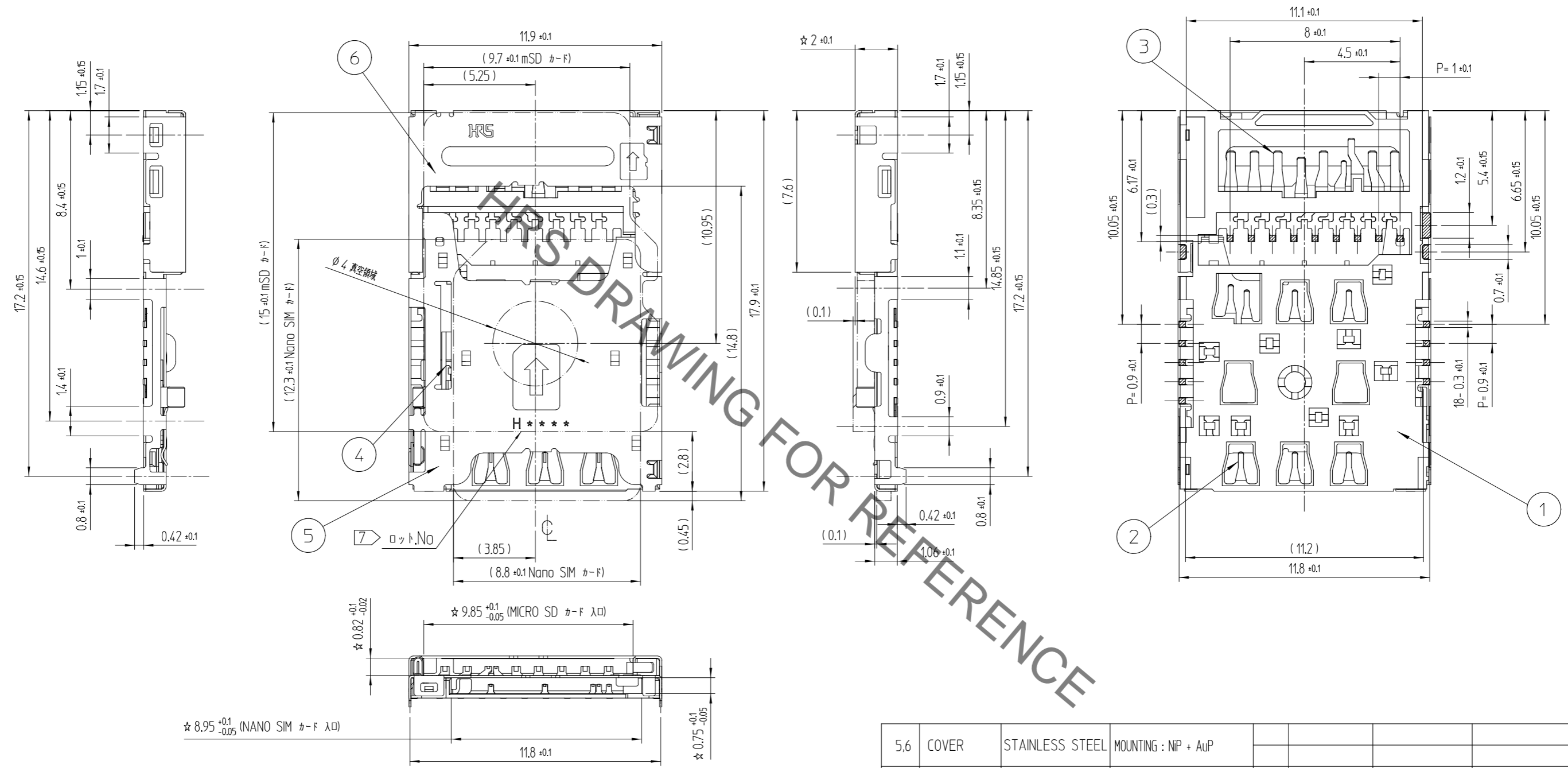


May.1.2021 Copyright 2021 HIROSE ELECTRIC CO., LTD. All Rights Reserved.
In case of consideration for using Automotive equipment / device which demand high reliability, kindly contact our sales window correspondents.

| △数 COUNT | 訂正事項 DESCRIPTION OF REVISIONS | 擔當 B Y | 檢圖 CHKD | 年月日 DATE | △数 COUNT | 訂正事項 DISCRPTION OF REVISIONS | 擔當 B Y | 檢圖 CHKD | 年月日 DATE |
|-------------|----------------------------------|-----------|------------|-------------|-------------|---------------------------------|-----------|------------|-------------|
| 1 | RE-5-2287 | K.C.J | A.B.H | 19. 09. 11 | | | | | |
| | | | | | | | | | |
| | | | | | | | | | |
| | | | | | | | | | |

参考図



- NOTE ① NANO SIM / MICRO SD カードの検出スイッチ回路図表
- △ 2 コプラナリティは0.1mm以下。
- ③ 斜線部 はパターン禁止領域を示します。
- ④ 梱包状態図を示しています。本品は、1リール1,200個入りのエンボス梱包となります。
5. カード結合位置
 - 上 : MICRO SD カード
 - 下 : NANO SIM カード
- ⑥ カードストッパー推奨寸法

| 5,6 | COVER | STAINLESS STEEL | MOUNTING : NIP + AuP | | | | |
|-----|------------|-----------------|---|----|----|----|--------|
| 4 | EJECT BAR | STAINLESS STEEL | - | | | | |
| 2,3 | SH-CONTACT | COPPER ALLOY | CONTACT : NIP + Pd-Ni + AuP MOUNTING : NIP + AuP | | | | |
| 1 | Ins.Base | LCP | BLACK / UL94-V0 | | | | |
| 部番 | 部品 | 材料 | 処理, 備考 | 部番 | 部品 | 材料 | 処理, 備考 |

UNLESS OTHERWISE SPECIFIED, SEE TABLE FOR TOLERANCES

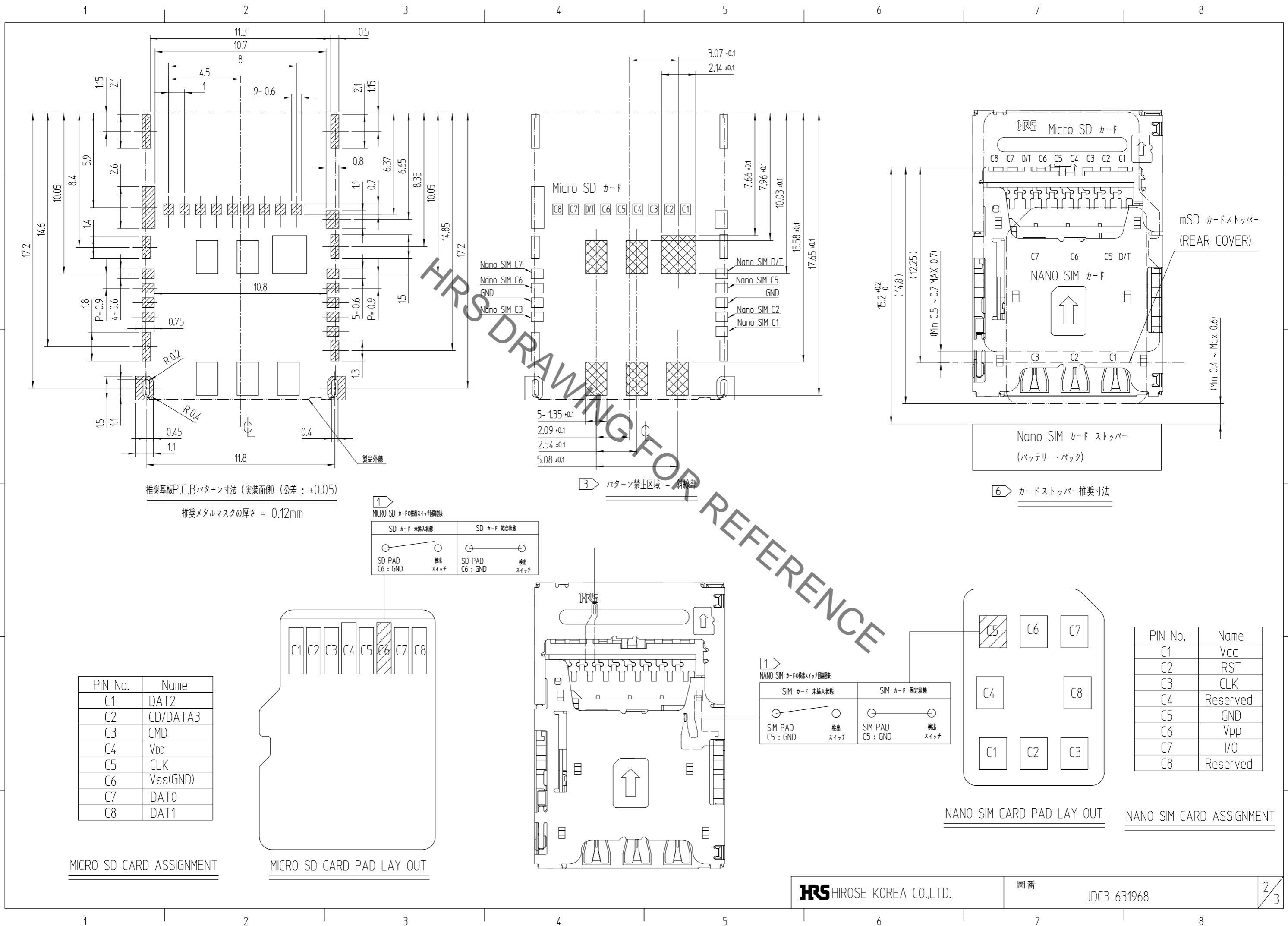
| 寸分区分 OVER | 公差 TOLERANCE |
|--------------|-----------------|
| 0 TO 6 | ± 0.05 |
| 6 TO 15 | ± 0.08 |
| 15 TO 30 | ± 0.1 |
| 30 TO 60 | ± 0.15 |

角度 ANGULAR ± 1°

SCALE 5:1
UNITS mm

| | | | | | |
|-----------------------------------|-------------------------|----------|--------------------------|----------|-------------------------|
| 製品コード(前) | 製図 | 担当 | 検討 | 承認 | 配布 |
| | J.Y.JUNG | J.Y.JUNG | B.H.AN | H.C.SONG | ENG 20.02.24 DEPT |
| 件名 Nano SIM + mSD Combo Socket | 16.08.08 | 16.08.08 | 16.08.08 | 16.08.08 | |
| 図番 JDC3-631968 | 製品名 KP15B-6S-SF(800) | | 製品コード 6538-0005-8-800 | | |
| HRS HIROSE KOREA CO.,LTD. | | | 1/3 | | |

May.1.2021 Copyright 2021 HIROSE ELECTRIC CO., LTD. All Rights Reserved.
In case of consideration for using Automotive equipment / device which demand high reliability, kindly contact our sales window correspondents.



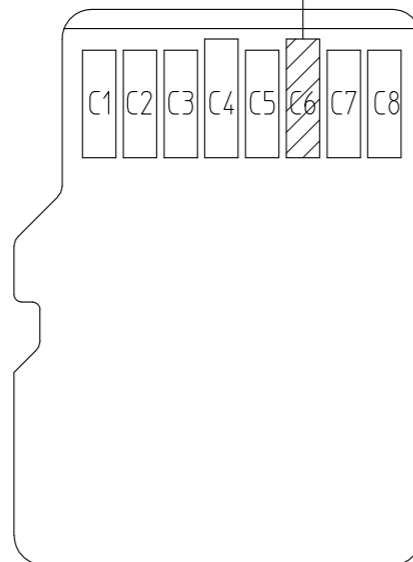
推奨基板P.C.Bパターン寸法 (実装面側) (公差 : ±0.05)
推奨メタルマスクの厚さ = 0.12mm

3> パターン禁止区域 - 斜線部

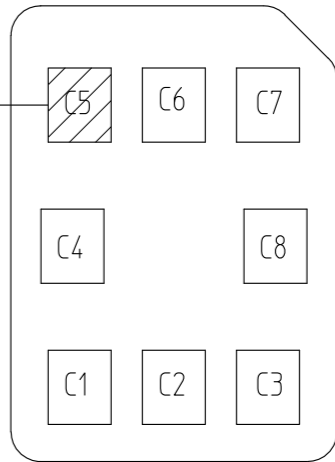
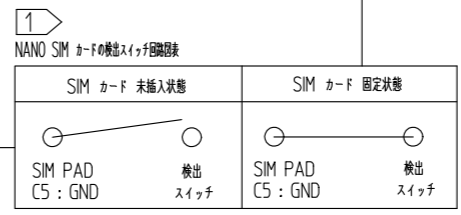
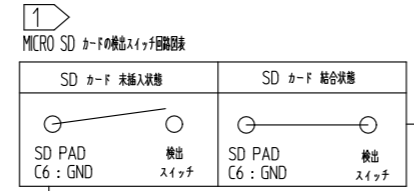
6> カードストッパー推奨寸法

| PIN No. | Name |
|---------|----------|
| C1 | DAT2 |
| C2 | CD/DATA3 |
| C3 | CMD |
| C4 | Vdd |
| C5 | CLK |
| C6 | Vss(GND) |
| C7 | DAT0 |
| C8 | DAT1 |

MICRO SD CARD ASSIGNMENT



MICRO SD CARD PAD LAY OUT



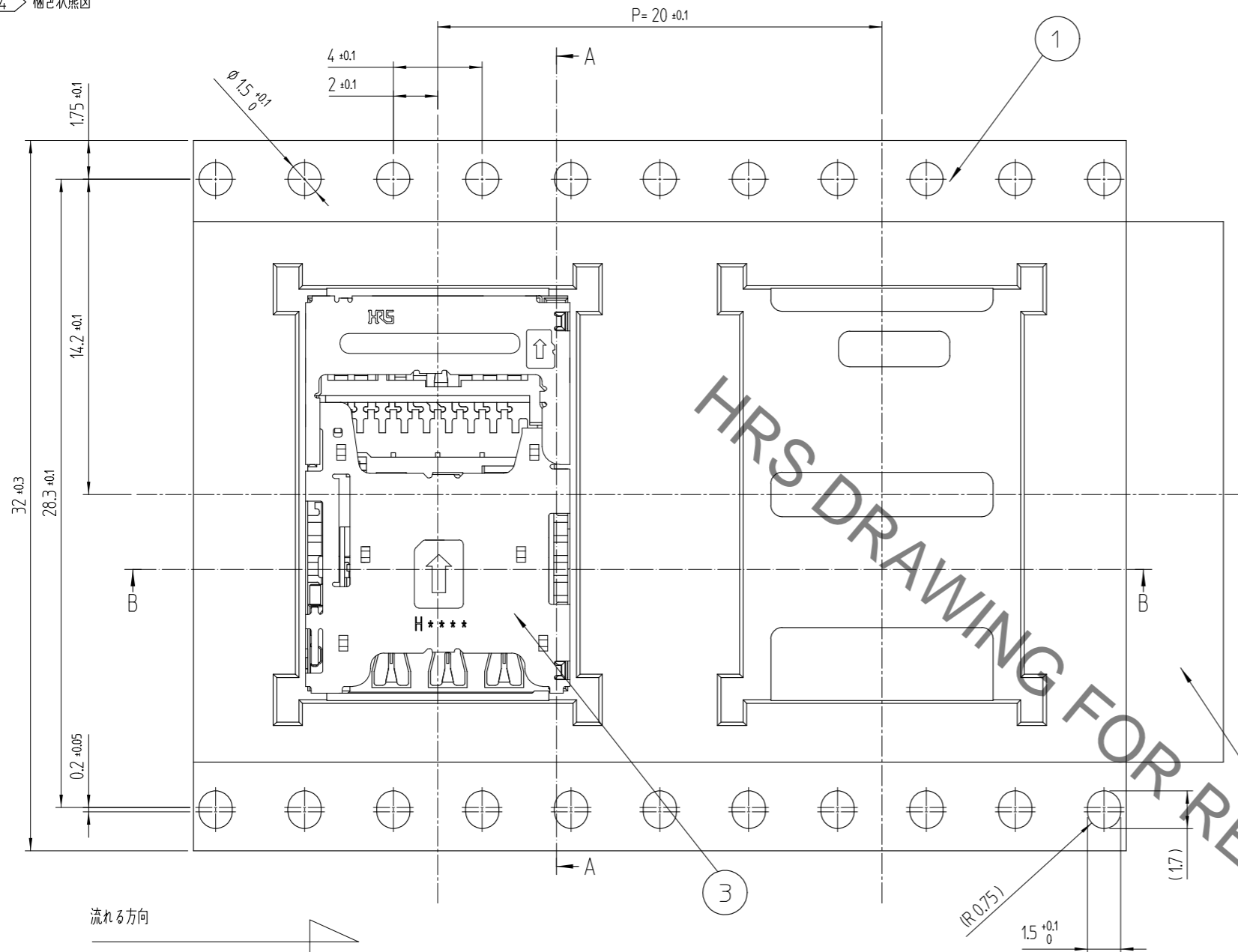
NANO SIM CARD PAD LAY OUT

| PIN No. | Name |
|---------|----------|
| C1 | Vcc |
| C2 | RST |
| C3 | CLK |
| C4 | Reserved |
| C5 | GND |
| C6 | Vpp |
| C7 | I/O |
| C8 | Reserved |

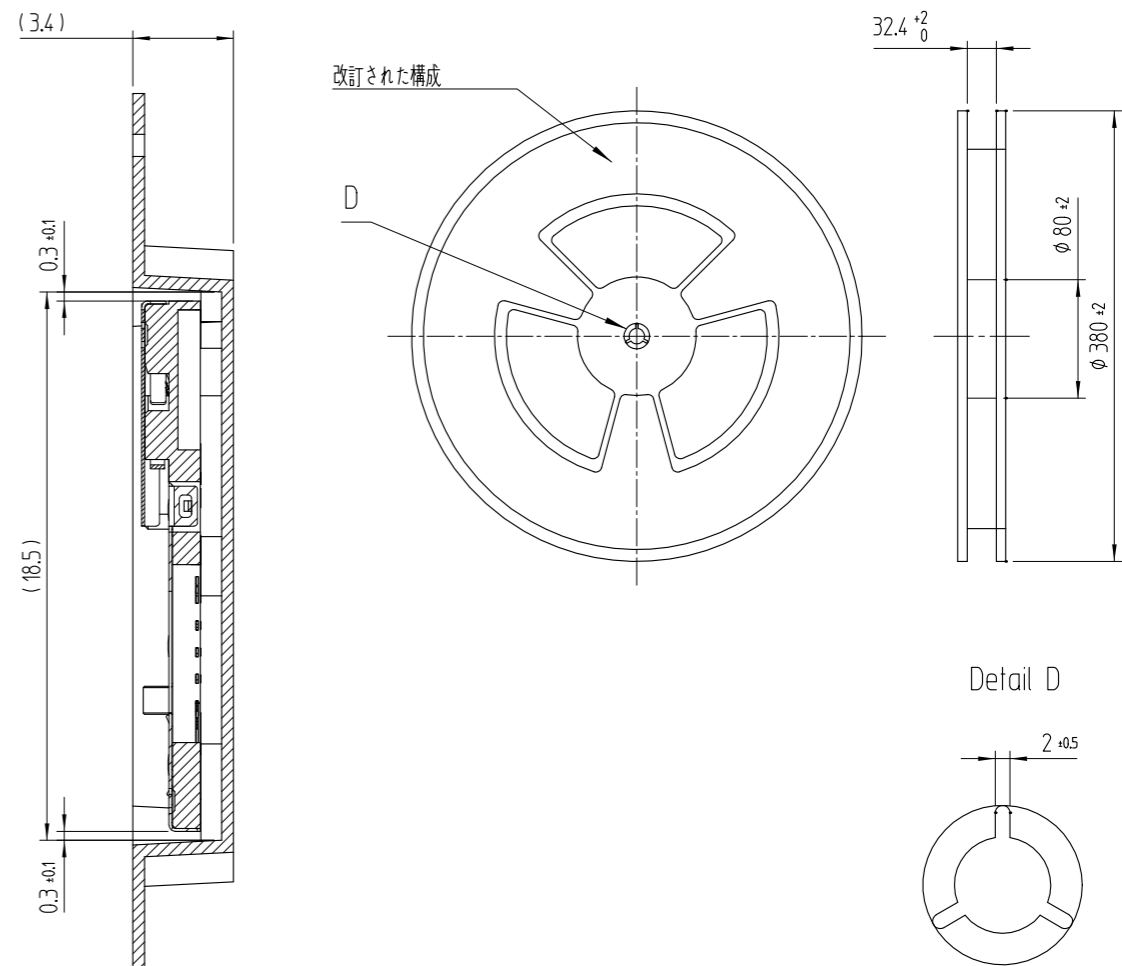
NANO SIM CARD ASSIGNMENT

May.1.2021 Copyright 2021 HIROSE ELECTRIC CO., LTD. All Rights Reserved.
In case of consideration for using Automotive equipment / device which demand high reliability, kindly contact our sales window correspondents.

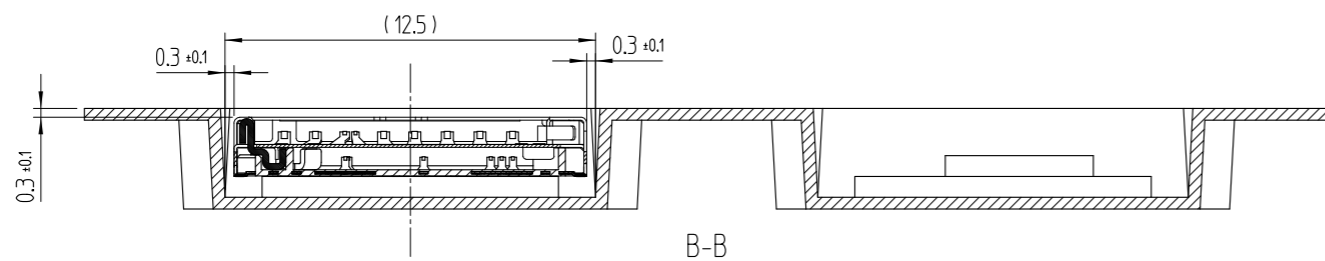
4 梱包状態図



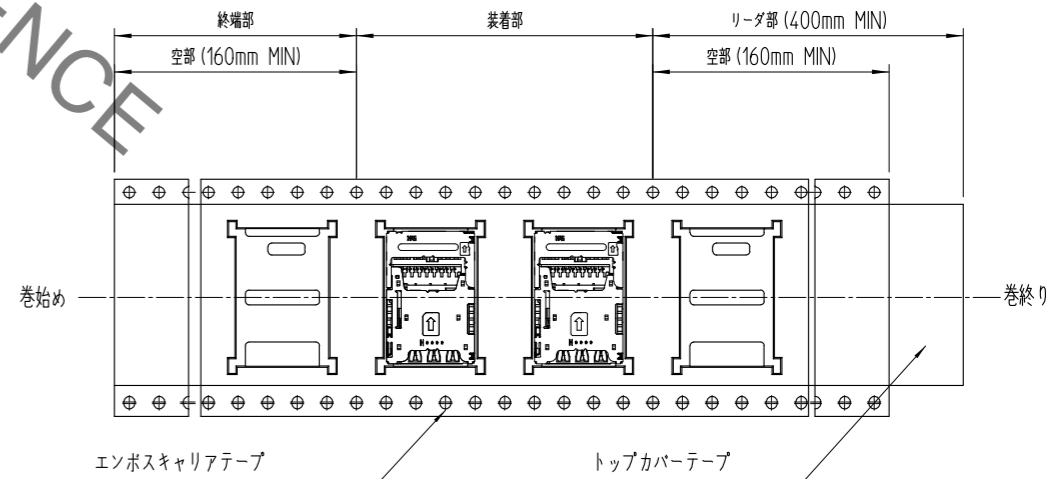
リール状態寸法図



流れる方向



B-B



7 ロット NO. の表示構成の詳細は領域を示します。

H 6 1 26 1 & A

PRODUCTION LINE : LINE No.
DATE : 26TH
MONTH : JAN
YEAR : 2016
SUPPLIER : HIROSE KOREA

7 TABLE.1

| YEAR | MONTH | DATE | | | | | | | |
|------|--------|-------|--------|------|--------|------|--------|------|--------|
| YEAR | SYMBOL | MONTH | SYMBOL | DATE | SYMBOL | DATE | SYMBOL | DATE | SYMBOL |
| 2016 | 6 | Jan. | 1 | 1 | 1 | 11 | 11 | 21 | 21 |
| 2017 | 7 | Feb. | 2 | 2 | 2 | 12 | 12 | 22 | 22 |
| 2018 | 8 | Mar. | 3 | 3 | 3 | 13 | 13 | 23 | 23 |
| 2019 | 9 | Apr. | 4 | 4 | 4 | 14 | 14 | 24 | 24 |
| 2020 | 0 | May. | 5 | 5 | 5 | 15 | 15 | 25 | 25 |
| 2021 | 1 | Jun. | 6 | 6 | 6 | 16 | 16 | 26 | 26 |
| 2022 | 2 | Jul. | 7 | 7 | 7 | 17 | 17 | 27 | 27 |
| 2023 | 3 | Aug. | 8 | 8 | 8 | 18 | 18 | 28 | 28 |
| 2024 | 4 | Sep. | 9 | 9 | 9 | 19 | 19 | 29 | 29 |
| 2025 | 5 | Oct. | A | 10 | 10 | 20 | 20 | 30 | 30 |
| | | Nov. | B | | | | | 31 | 31 |
| | | Dec. | C | | | | | | |

| | | |
|----------------------------------|---------------------|----------------|
| 3 | (CONNECTOR) | |
| 2 | TOP COVER TAPE | POLYESTER |
| 1 | EMBOSS CARRIER TAPE | PS |
| 部番 | 部品 | 材料 |
| HRS HIROSE KOREA CO.,LTD. | | 図番 JDC3-631968 |

3/3

Mouser Electronics

Authorized Distributor

Click to View Pricing, Inventory, Delivery & Lifecycle Information:

[Hirose Electric:](#)

[KP15B-6S-SF\(800\)](#)