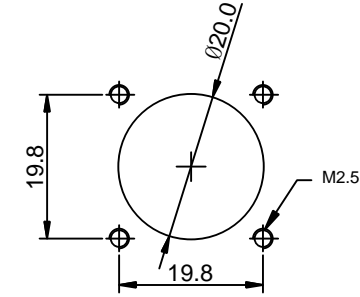
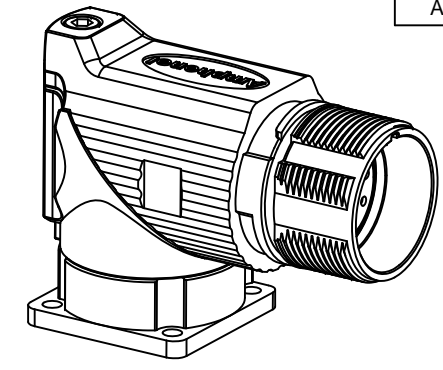
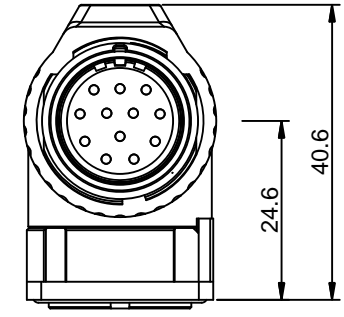
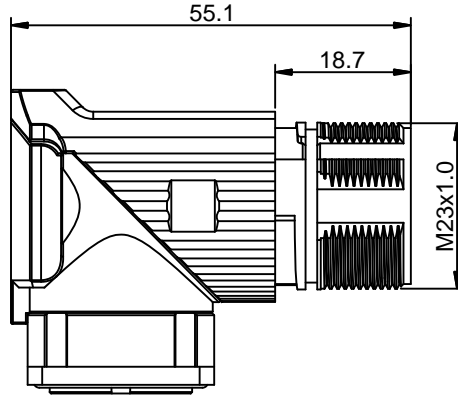
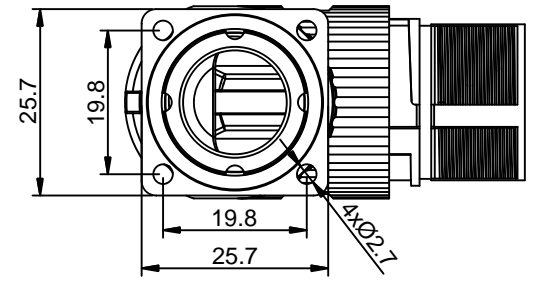


REVISIONS					
REV	ECO	DESCRIPTION	DATE	BY	APPR
A1	-	FIRST RELEASE	Oct 23, 2015	Drack	Tommy

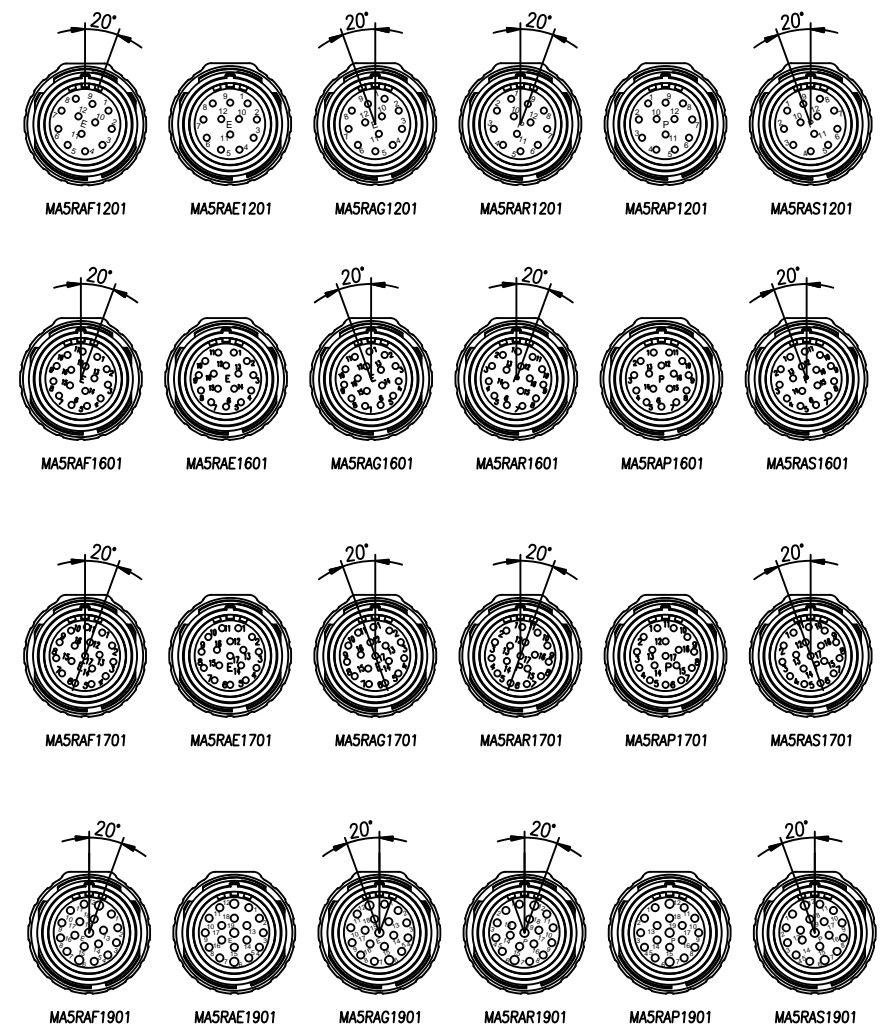


MOUNTING HOLE



NOTES: UNLESS OTHERWISE SPECIFIED

- MATERIAL:
INSULATION INSERT: PA66,UL94 V0
SEAL: VITON
HOUSING BODY: ZINC DIE CAST, NICKEL PLATED
- SPECIFICATIONS:
2.1 CURRENT RATING: 10 AMPS - 12 POSITION
9 AMPS - 16 POSITION
9 AMPS - 17 POSITION
7 AMPS - 19 POSITION
2.2 VOLTAGE RATING: 160V AC/DC - 12 POSITION
125V AC/DC - 16 POSITION
125V AC/DC - 17 POSITION
63V AC/DC - 19 POSITION
2.3 OPERATING TEMPERATURE: -20°C TO +130°C
2.4 DIELECTRIC WITHSTANDING VOLTAGE: LESS THAN 2 MILLIAMPS CURRENT LEAKAGE @ 2500 VOLTS AC.
2.5 DEGREE OF PROTECTION: IP67 (MATED CONDITION)
2.6 DEGREE OF POLLUTION: 3 PER UL840
2.7 OVERVOLTAGE CATEGORY: III PER UL840
2.8 MATING CYCLE DURABILITY: >500 CYCLES
2.9 RoHS COMPLIANT
- ALL DIMENSIONS ARE FOR REFERENCE USE ONLY.



REV	ECO	DESCRIPTION	DATE	BY	APPR
-	-	MA5RAS1901	M23, RECP, R/A, ROT, 19POS, P TYPE, KEYED "S"		27
-	-	MA5RAR1901	M23, RECP, R/A, ROT, 19POS, P TYPE, KEYED "R"		26
-	-	MA5RAP1901	M23, RECP, R/A, ROT, 19POS, P TYPE		25
-	-	MA5RAG1901	M23, RECP, R/A, ROT, 19POS, E TYPE, KEYED "G"		24
-	-	MA5RAF1901	M23, RECP, R/A, ROT, 19POS, E TYPE, KEYED "F"		23
-	-	MA5RAE1901	M23, RECP, R/A, ROT, 19POS, E TYPE		22
-	-	MA5RAS1701	M23, RECP, R/A, ROT, 17POS, P TYPE, KEYED "S"		21
-	-	MA5RAR1701	M23, RECP, R/A, ROT, 17POS, P TYPE, KEYED "R"		20
-	-	MA5RAP1701	M23, RECP, R/A, ROT, 17POS, P TYPE		19
-	-	MA5RAG1701	M23, RECP, R/A, ROT, 17POS, E TYPE, KEYED "G"		18
-	-	MA5RAF1701	M23, RECP, R/A, ROT, 17POS, E TYPE, KEYED "F"		17
-	-	MA5RAE1701	M23, RECP, R/A, ROT, 17POS, E TYPE		16
-	-	MA5RAS1601	M23, RECP, R/A, ROT, 16POS, P TYPE, KEYED "S"		15
-	-	MA5RAR1601	M23, RECP, R/A, ROT, 16POS, P TYPE, KEYED "R"		14
-	-	MA5RAP1601	M23, RECP, R/A, ROT, 16POS, P TYPE		13
-	-	MA5RAG1601	M23, RECP, R/A, ROT, 16POS, E TYPE, KEYED "G"		12
-	-	MA5RAF1601	M23, RECP, R/A, ROT, 16POS, E TYPE, KEYED "F"		11
-	-	MA5RAE1601	M23, RECP, R/A, ROT, 16POS, E TYPE		10
-	-	MA5RAS1201	M23, RECP, R/A, ROT, 12POS, P TYPE, KEYED "S"		9
-	-	MA5RAR1201	M23, RECP, R/A, ROT, 12POS, P TYPE, KEYED "R"		8
-	-	MA5RAP1201	M23, RECP, R/A, ROT, 12POS, P TYPE		7
-	-	MA5RAG1201	M23, RECP, R/A, ROT, 12POS, E TYPE, KEYED "G"		6
-	-	MA5RAF1201	M23, RECP, R/A, ROT, 12POS, E TYPE, KEYED "F"		5
-	-	MA5RAE1201	M23, RECP, R/A, ROT, 12POS, E TYPE		4
QUANTITY		PART NUMBER	DESCRIPTION	ITEM	

MATERIALS LIST

UNLESS OTHERWISE SPECIFIED 1) All dimensions are in metric(mm). 2) Tolerances are as follows: 1 PL DEC ±0.30 2 PL DEC ±0.15 3 PL DEC ±0.08 3) Note reference =	SIGNATURES DRAWN: Drack CHECKED: ENGINEER: APPROVAL:	DATE Oct 23, 2015
MATERIAL SPECIFICATIONS:	CUSTOMER:	
PROCESS SPECIFICATIONS:	THIS DRAWING IS SUPPLIED FOR INFORMATION ONLY. DESIGN FEATURES, SPECIFICATIONS AND PERFORMANCE DATA SHOWN HEREON ARE THE PROPERTY OF THE AMPHENOL CORPORATION. NO RIGHTS OF REPRODUCTION ARE IMPLIED. ALL DIMENSIONS ARE SUBJECT TO NORMAL MANUFACTURING VARIATIONS.	
NEXT ASSY:		

Amphenol
Sine Systems - www.amphenol-sine.com
44724 Morley Drive
Clinton Township, MI 48036

M23, RECP, ANGLED, ROTATABLE, CHECKMATE

SIZE	TYPE	DWG NO.	REVISION
B	C-	MA5RAxxx01	A1
SCALE:	NONE	C-MA5RAxxx01	SHEET 1 OF 1

TITLE: M23, RECEPTACLE, ANGLED, ROTATABLE, CHECKMATE
DWG NO: MA5RAxxx01
REV: A1
SH: 1
OF: 1