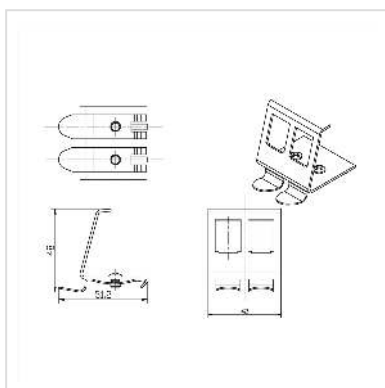


ROLINE DIN Rail Adapter, empty, double for 2x Keystones

Product No.	21.13.1308
Manufacturer	ROLINE
Manufacturer No.	21.13.1308
EAN (single piece)	7630049613195



DIN Rail Adapter, empty for 2x Keystones

- Stainless Steel DIN-Rail Adapter for Keystone, coupler
- For carrying Keystone modules
- For example, an 8-pole e.g. ROLINE Cat. 6A Keystone 26.11.0353/.0358/.0366...

REMARK: Delivery without Keystone Modules

Technical specifications

Manufacturer	ROLINE
Product group	Connection technology TP
Product type	DIN Rail Adapter
Colour	silver
Scope of delivery	1x Adapter
Quantity of ports	2
Material (casing)	plastic
Dimensions (HxWxD)	48 x 42 x 51,2 mm
Technical particularity	unloaded
Height	48 mm
Width	42 mm

Depth	51.2 mm
Weight	44 g
Height of packaging (single piece)	30 mm
Width of packaging (single piece)	50 mm
Depth of packaging (single piece)	50 mm
Package weight (single piece)	0.058 kg