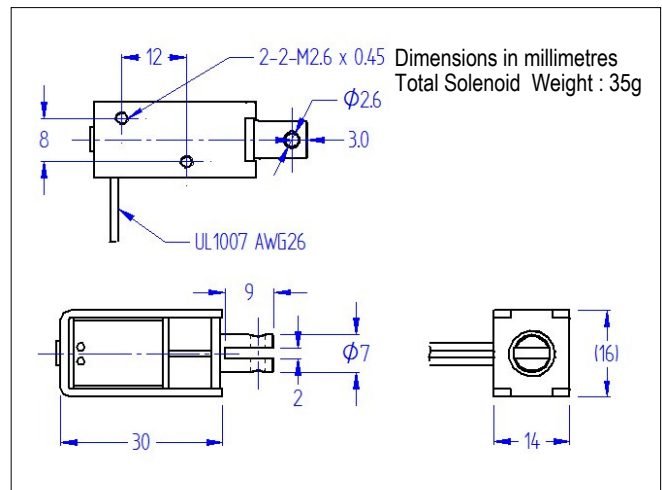


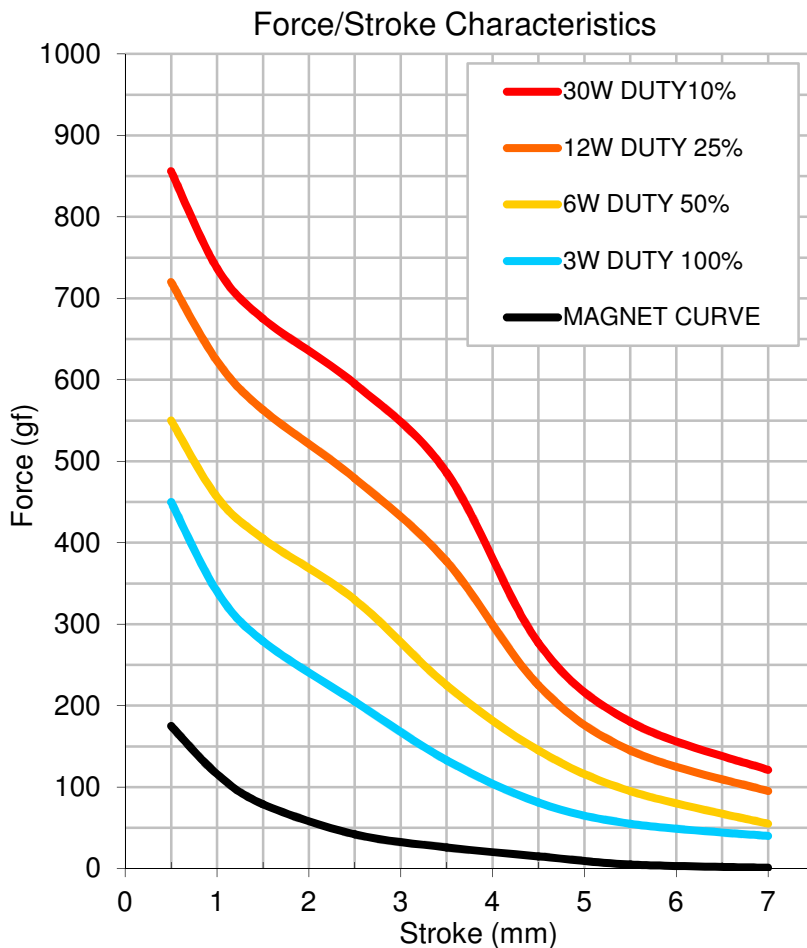
## Datasheet

# RS Article: 177 - 0138 Latching Solenoid 12V



### Specifications:

### Features:



- Pull type
- Flying leads
- Corrosion resistant plated parts
- Complete with spring