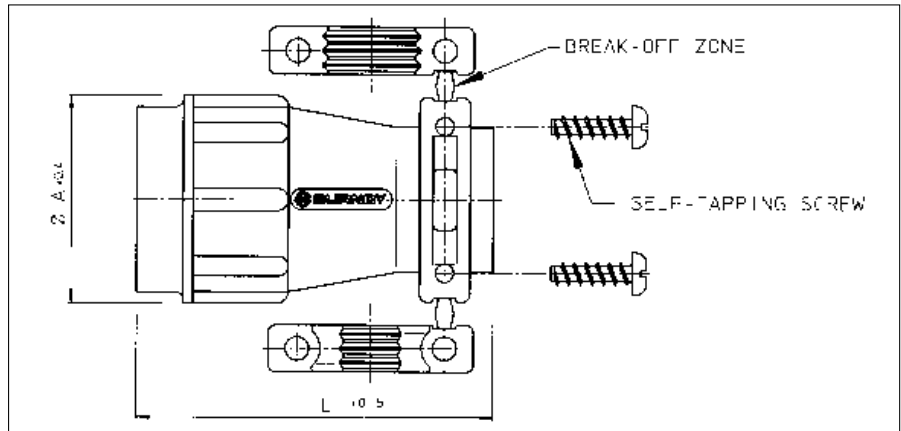


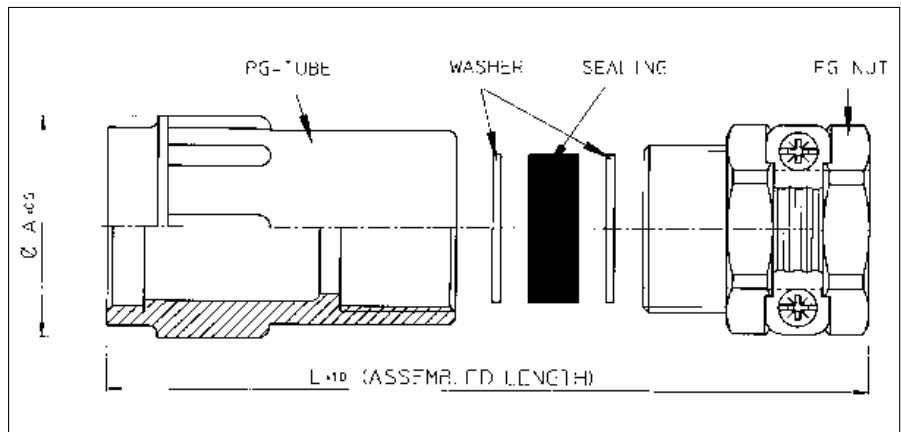


Plastic cable clamp with strain relief (UTG--AC)



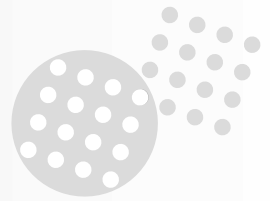
| Part number | Shell size | Cable range \varnothing | $\varnothing A_{\pm 0.4}$ | $L_{\pm 0.5}$ |
|-------------|------------|---------------------------|---------------------------|---------------|
| UTG10AC | 10 | 3.0 - 8.7 | 21.0 | 40.0 |
| UTG12AC | 12 | 3.0 - 12.8 | 24.0 | 40.0 |
| UTG14AC | 14 | 4.0 - 13.8 | 27.0 | 46.0 |
| UTG16AC | 16 | 5.0 - 17.0 | 30.2 | 46.0 |
| UTG18AC | 18 | 5.0 - 19.0 | 33.3 | 50.0 |
| UTG20AC | 20 | 5.0 - 21.0 | 36.5 | 55.0 |
| UTG22AC | 22 | 5.0 - 23.0 | 39.7 | 60.0 |
| UTG24AC | 24 | 8.0 - 27.0 | 42.9 | 65.0 |

Plastic cable clamp with strain relief nut for waterprotected (IP65) applications (UTG--PG)

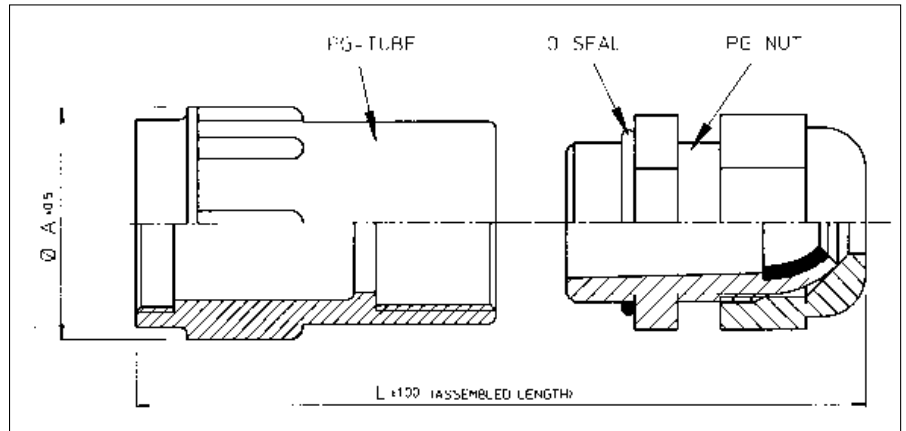


| Part number | Shell size | Sealing* outer dia x inner dia's | $L_{\pm 1}$ | $A_{\pm 0.5}$ |
|-------------|------------|-------------------------------------|-------------|---------------|
| UTG10PG | 10 | 13.5 x 5 x 8 | 54 | 21.0 |
| UTG12PG | 12 | 16 x 7 x 10.5 x 13 x 16 | 57 | 24.0 |
| UTG14PG | 14 | 18.5 x 7 x 10.5 x 13 x 16 | 62 | 27.0 |
| UTG16PG | 16 | 20.5 x 8 x 10.5 x 13 x 16 | 68 | 30.2 |
| UTG18PG | 18 | 20.5 x 8 x 10.5 x 13 x 16 | 71 | 33.3 |
| UTG20PG | 20 | 26 x 11 x 15 x 18 x 22 | 82 | 36.5 |
| UTG22PG | 22 | 26 x 11 x 15 x 18 x 22 | 88 | 39.7 |
| UTG24PG | 24 | 35 x 19 x 23 x 27 x 31 | 103 | 42.9 |

*In order to accommodate different cable dia's, the sealing exists of different layers which can be pulled out easily.

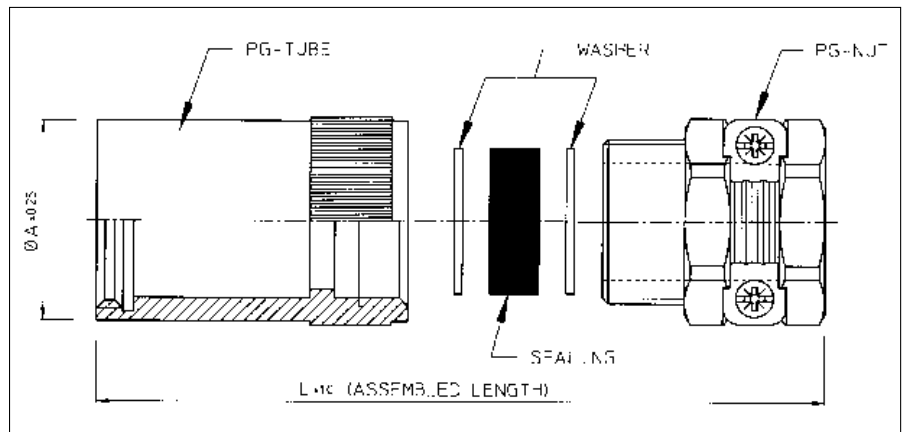


Plastic cable clamp with strain relief nut for waterprotected (IP67) applications (UTG--ST)



| Part number | Shell size | Cable range | Dia. A ± 0.5 | L ± 1 |
|-------------|------------|-------------|------------------|-----------|
| UTG10ST | 10 | 2 - 6 | 21.0 | 64 |
| UTG12ST | 12 | 3 - 7 | 24.0 | 64 |
| UTG14ST | 14 | 6 - 9 | 27.0 | 69 |
| UTG16ST | 16 | 7 - 12 | 30.2 | 72 |
| UTG18ST | 18 | | 33.3 | 76 |
| UTG20ST | 20 | 9 - 16 | 36.5 | 80 |
| UTG22ST | 22 | | 39.7 | 86 |
| UTG24ST | 24 | 13 - 20 | 42.9 | 91 |

Metal cable clamp with strain relief nut for waterprotected applications (UT0--PGT)



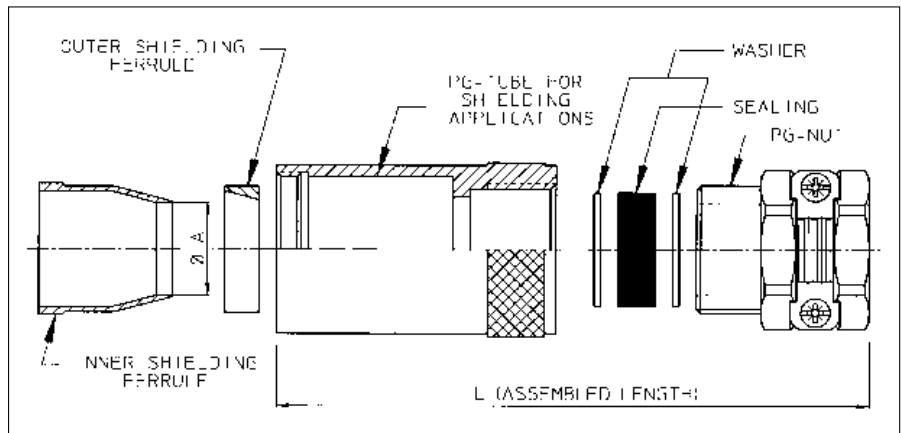
| Part number | Shell size | Sealing* outer dia x inner dia's | L ± 1 | A ± 0.25 |
|-------------|------------|-------------------------------------|-----------|--------------|
| UT010PGT | 10 | 13.5 x 5 x 8 | 53 | 16.7 |
| UT012PGT | 12 | 16 x 7 x 10.5 x 13 x 16 | 57 | 20.1 |
| UT014PGT | 14 | 18.5 x 7 x 10.5 x 13 x 16 | 62 | 23.0 |
| UT016PGT | 16 | 20.5 x 8 x 10.5 x 13 x 16 | 68 | 26.2 |
| UT018PGT | 18 | 20.5 x 8 x 10.5 x 13 x 16 | 71 | 29.6 |
| UT020PGT | 20 | 26 x 11 x 15 x 18 x 22 | 82 | 32.5 |
| UT022PGT | 22 | 26 x 11 x 15 x 18 x 22 | 88 | 35.7 |
| UT024PGT | 24 | 35 x 19 x 23 x 27 x 31 | 103 | 39.2 |

*In order to accommodate different cable dia's, the sealing exists of different layers which can be pulled out easily.

Circular - accessories



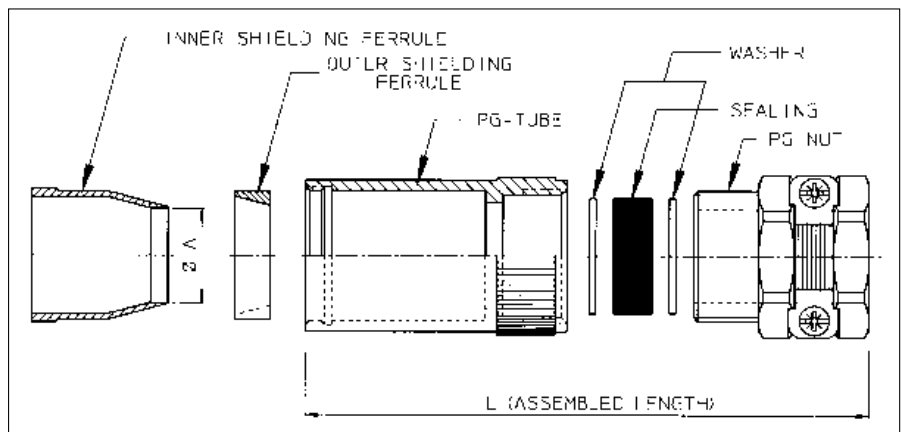
Shielded cable clamp only suitable for UTGS connectors (UTGS----PGN)



| Part number | | Shell size | Ø A | L | Sealing* outer dia x inner dia's |
|------------------|---------------------|------------|------|-----|-------------------------------------|
| For pin contacts | For socket contacts | | | | |
| UTGS10PGN | | 10 | 8.8 | 54 | 13.5 x 5 x 8 |
| UTGS12PGN | | 12 | 12.0 | 57 | 16 x 7 x 10.5 x 13 |
| UTGS14PGN | | 14 | 14.4 | 62 | 18.5 x 7 x 10.5 x 13 x 16 |
| UTGS16PGN | | 16 | 16.4 | 68 | 20.5 x 8 x 10.5 x 13 x 16 |
| UTGS18PGN | | 18 | 16.8 | 71 | 20.5 x 8 x 10.5 x 13 x 16 |
| UTGS20PGPN | UTGS20PGSN | 20 | 22.3 | 82 | 26 x 11 x 15 x 18 x 22 |
| UTGS22PGPN | UTGS22PGSN | 22 | 22.3 | 88 | 26 x 11 x 15 x 18 x 22 |
| UTGS24PGPN | UTGS24PGSN | 24 | 30.0 | 103 | 35 x 19 x 23 x 27 x 31 |

*In order to accommodate different cable dia's, the sealing exists of different layers which can be pulled out easily.

Shielded cable clamp only suitable for UT0 connectors (UT0S----PG00T)

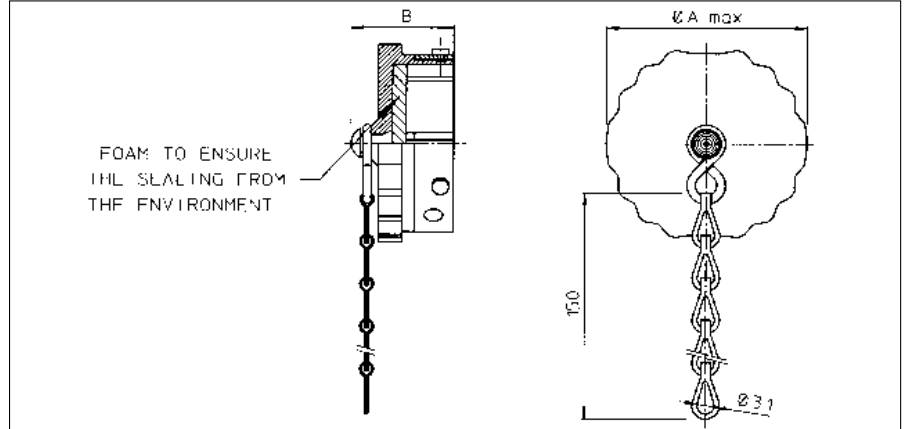


| Part number | | Shell size | Ø A | L | Sealing* outer dia x inner dia's |
|------------------|---------------------|------------|------|-----|-------------------------------------|
| For pin contacts | For socket contacts | | | | |
| UT0S10PG00T | | 10 | 8.8 | 54 | 13.5 x 5 x 8 |
| UT0S12PG00T | | 12 | 12.0 | 57 | 16 x 7 x 10.5 x 13 x 16 |
| UT0S14PG00T | | 14 | 14.4 | 62 | 18.5 x 7 x 10.5 x 13 x 16 |
| UT0S16PG00T | | 16 | 16.4 | 68 | 20.5 x 8 x 10.5 x 13 x 16 |
| UT0S18PG00T | | 18 | 16.8 | 71 | 20.5 x 8 x 10.5 x 13 x 16 |
| UT0S20PGP00T | UT0S20PGS00T | 20 | 22.3 | 82 | 26 x 11 x 15 x 18 x 22 |
| UT0S22PGP00T | UT0S22PGS00T | 22 | 22.3 | 88 | 26 x 11 x 15 x 18 x 22 |
| UT0S24PGP00T | UT0S24PGS00T | 24 | 30.0 | 103 | 35 x 19 x 23 x 27 x 31 |

*In order to accommodate different cable dia's, the sealing exists of different layers which can be pulled out easily.



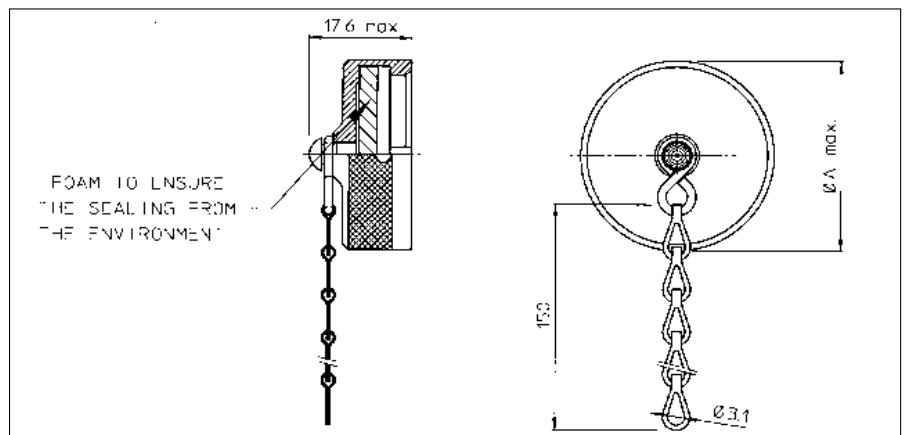
Environmental dustcap for plugs (UTG6--DCG)



| Part number | Shell size | A max. | B |
|-------------|------------|--------|------|
| UTG610DCG | 10 | 20.0 | 20.8 |
| UTG612DCG | 12 | 24.0 | |
| UTG614DCG | 14 | 27.5 | |
| UTG616DCG | 16 | 30.5 | |
| UTG618DCG | 18 | 33.5 | |
| UTG620DCG | 20 | 36.5 | 22.5 |
| UTG622DCG | 22 | 40.0 | |
| UTG624DCG | 24 | 43.0 | |

For dustcap without chain skip "G" e.g. UTG612DC

Metal environmental dustcap for receptacles (UTG--DCG)



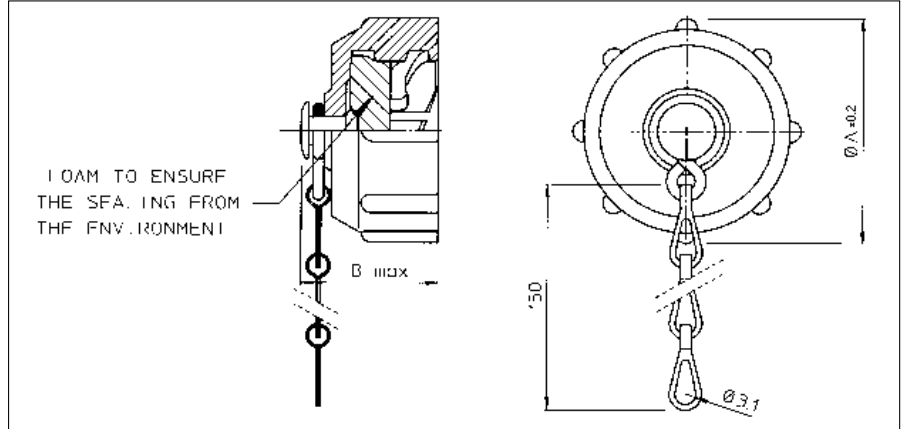
| Part number | Shell size | A max. |
|-------------|------------|--------|
| UTG10DCG | 10 | 20.8 |
| UTG12DCG | 12 | 24.9 |
| UTG14DCG | 14 | 28.1 |
| UTG16DCG | 16 | 31.3 |
| UTG18DCG | 18 | 34.4 |
| UTG20DCG | 20 | 37.6 |
| UTG22DCG | 22 | 40.8 |
| UTG24DCG | 24 | 43.9 |

For dustcap without chain skip "G" e.g. UTG12DC

Circular - accessories



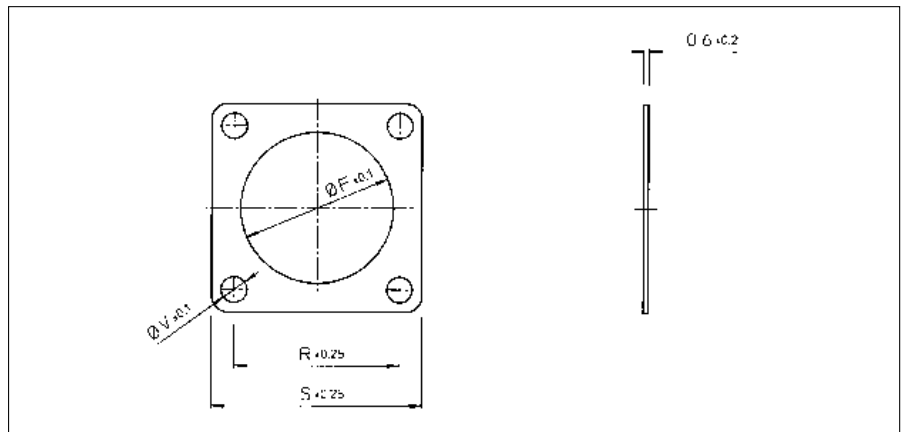
Plastic environmental dustcap for receptacles (UTP--DCG)



| Part number | Shell size | Ø A ±0.2 | B max. |
|-------------|------------|----------|--------|
| UTP10DCG | 10 | 26.7 | 19.3 |
| UTP12DCG | 12 | 31.4 | 20.0 |
| UTP14DCG | 14 | 34.5 | 20.2 |
| UTP16DCG | 16 | 37.8 | |
| UTP18DCG | 18 | 40.8 | |
| UTP20DCG | 20 | 43.9 | 21.8 |
| UTP22DCG | 22 | 47.0 | |
| UTP24DCG | 24 | 50.1 | |

For dustcap without chain skip "G" e.g. UTP12DC

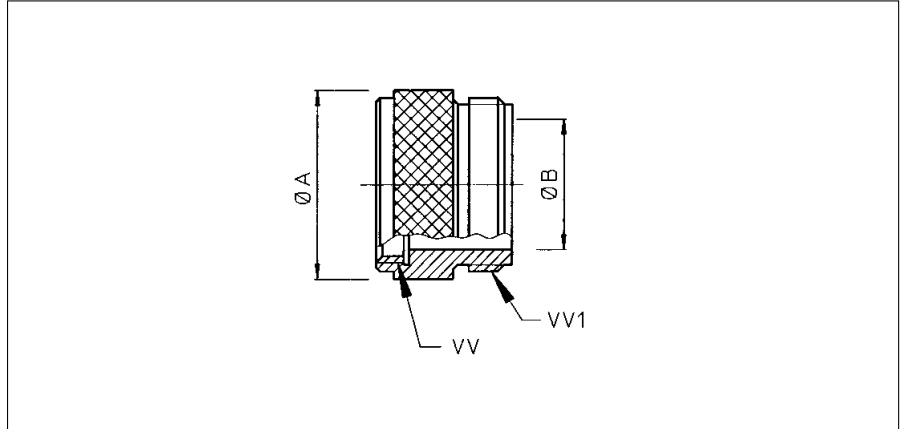
Sealing for square flange receptacle (UTFD1-B)



| Part number | Shell size | Ø F ±0.1 | R ±0.25 | S ±0.25 | Ø V |
|-------------|------------|----------|---------|---------|-----|
| UTFD12B | 10 | 15.9 | 18.3 | 23.8 | 3.3 |
| UTFD13B | 12 | 19.0 | 20.6 | 26.2 | |
| UTFD14B | 14 | 22.2 | 23.0 | 28.6 | |
| UTFD15B | 16 | 25.4 | 24.6 | 31.0 | |
| UTFD16B | 18 | 28.6 | 27.0 | 33.3 | |
| UTFD17B | 20 | 31.8 | 29.4 | 36.5 | |
| UTFD18B | 22 | 34.9 | 31.8 | 39.7 | |
| UTFD19B | 24 | 38.1 | 34.9 | 42.9 | 4.0 |

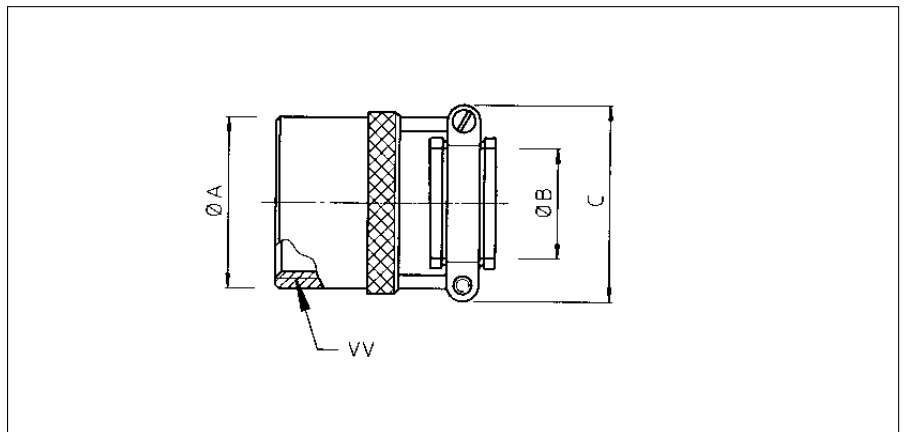


A – General duty Termination



| Part number | Shell size | Ø A | Ø B | VV - Thread UNEF | VV1 - Thread UNEF |
|-------------|------------|------|------|------------------|-------------------|
| B10P36E | 10 | 18,2 | 11,3 | 9/16-24 | 5/8-24 |
| B12P36E | 12 | 21,1 | 14,2 | 11/16-24 | 3/8-20 |
| B14P36E | 14 | 24,6 | 17,4 | 13/16-20 | 7/8-20 |
| B16P36E | 16 | 27,6 | 20,6 | 15/16-20 | 1-20 |
| B18P36E | 18 | 30,8 | 22,9 | 1 1/16-18 | 1 3/8-18 |
| B20P36E | 20 | 33,8 | 26,1 | 1 3/16-18 | 1 3/8-18 |
| B22P36E | 22 | 37,0 | 29,3 | 1 5/16-18 | 1 7/16-18 |
| B24P36E | 24 | 40,3 | 32,4 | 1 7/16-18 | 1 7/16-18 |

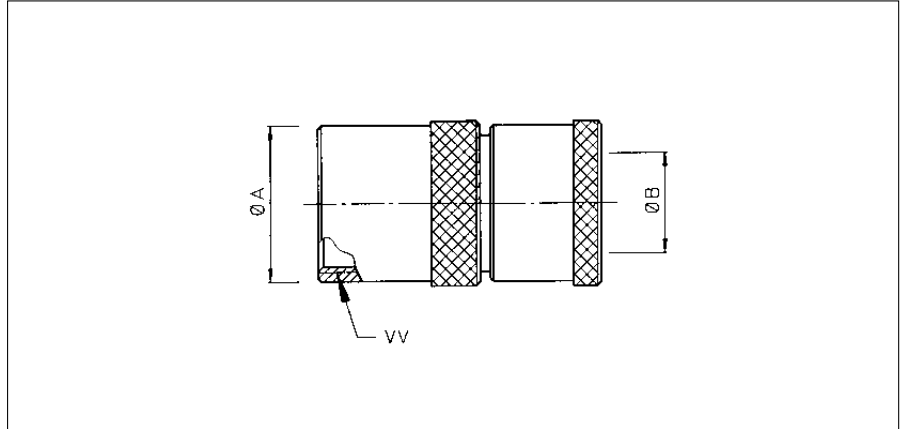
F – Strain Relief Clamp Termination



| Part number | Shell size | Ø A | Ø B | C | VV - Thread UNEF |
|-------------|------------|------|------|------|------------------|
| B10SRE | 10 | 18,2 | 4,8 | 22,6 | 9/16-24 |
| B12SRE | 12 | 21,1 | 7,9 | 25,8 | 11/16-24 |
| B14SRE | 14 | 24,6 | 9,7 | 29,0 | 13/16-20 |
| B16SRE | 16 | 27,6 | 12,7 | 30,6 | 15/16-20 |
| B18SRE | 18 | 30,8 | 15,9 | 35,6 | 1 1/16-18 |
| B20SRE | 20 | 33,8 | 15,9 | 35,6 | 1 3/16-18 |
| B20SRE | 22 | 37,0 | 19,1 | 40,4 | 1 5/16-18 |
| B24SRE | 24 | 40,3 | 20,3 | 41,9 | 1 7/16-18 |

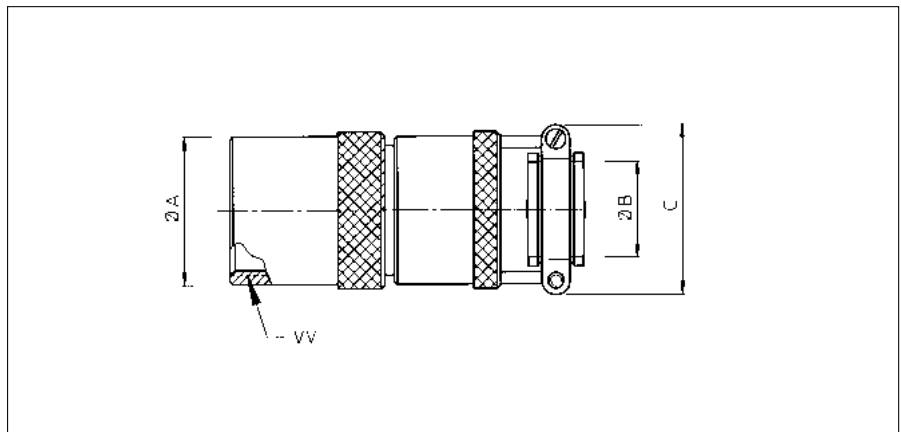


J – Gland Seal Termination



| Part number | Shell size | Ø A | Ø max | VV - Thread UNEF |
|-------------|------------|------|-------|---------------------|
| B10P442E | 10 | 18.6 | 7.9 | 9/16-24 |
| B12P442E | 12 | 21.8 | 11.2 | 11/16-24 |
| B14P164E | 14 | 25.0 | 13.7 | 13/16-20 |
| B16P164E | 16 | 28.2 | 15.6 | 15/16-20 |
| B18P164E | 18 | 31.3 | 17.1 | 1 1/16-18 |
| B20P164E | 20 | 34.5 | 19.0 | 1 3/16-18 |
| B22P164E | 22 | 37.7 | 21.5 | 1 5/16-18 |
| B24P164E | 24 | 40.9 | 22.7 | 1 7/16-18 |

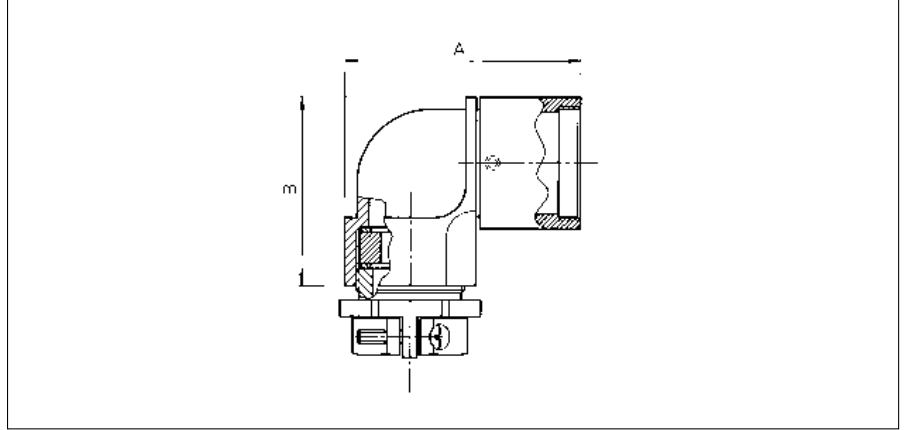
JF – Gland Seal Termination with Strain Relief



| Part number | Shell size | Ø A | Ø B | C | VV - Thread UNEF |
|-------------|------------|------|------|------|---------------------|
| B10P443E | 10 | 18.6 | 7.9 | 22.6 | 9/16-24 |
| B12P443E | 12 | 21.8 | 11.2 | 25.8 | 11/16-24 |
| B14P184E | 14 | 25.0 | 13.7 | 29.0 | 13/16-20 |
| B16P184E | 16 | 28.2 | 15.6 | 30.6 | 15/16-20 |
| B18P184E | 18 | 31.3 | 17.1 | 37.3 | 1 1/16-18 |
| B20P184E | 20 | 34.5 | 19.0 | 37.3 | 1 3/16-18 |
| B20P184E | 22 | 37.7 | 21.5 | 42.1 | 1 5/16-18 |
| B24P184E | 24 | 40.9 | 22.7 | 44.4 | 1 7/16-18 |

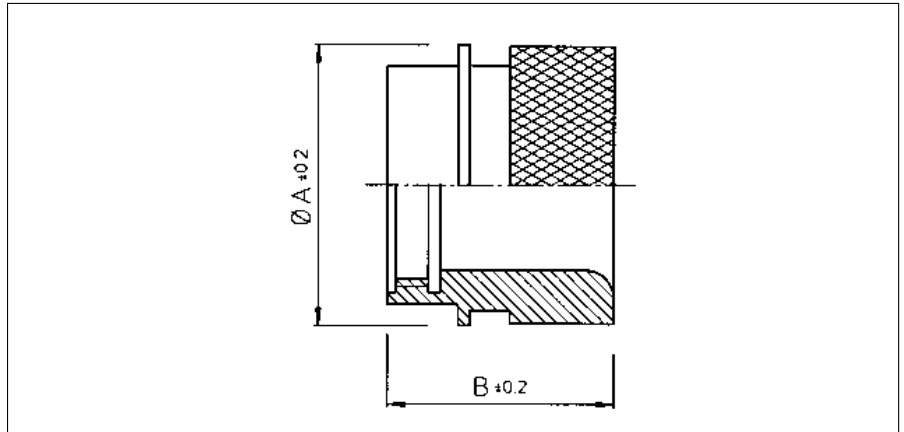


Metal right angle cable clamp with strain relief nut (UTO--LPGN)



| Part number | Shell size | A max | B max | Cable range |
|-------------|------------|-------|-------|---------------------------|
| UTO10LPGN | 10 | 42.5 | 29.5 | 13.5 x 5 x 8 |
| UTO12LPGN | 12 | 43.5 | 31.5 | 16 x 7 x 10.5 x 13 |
| UTO14LPGN | 14 | 46.5 | 35.5 | 18.5 x 7 x 10.5 x 13 x 16 |
| UTO16LPGN | 16 | 53.0 | 39.5 | 20.5 x 8 x 10.5 x 13 x 16 |
| UTO18LPGN | 18 | 57.0 | 45.5 | 20.5 x 8 x 10.5 x 13 x 16 |
| UTO20LPGN | 20 | 58.0 | 46.5 | 26 x 11 x 15 x 18 x 22 |
| UTO22LPGN | 22 | 58.0 | 48.0 | 26 x 11 x 15 x 18 x 22 |
| UTO24LPGN | 24 | 67.0 | 54.0 | 35 x 19 x 23 x 27 x 31 |

Metal shrink boot adaptor (UTG--AD)



| Part number | Shell size | Ø A +0.2 | B |
|-------------|------------|----------|------|
| UTG10AD | 10 | 21.0 | 19.2 |
| UTG12AD | 12 | 24.0 | |
| UTG14AD | 14 | 27.0 | |
| UTG16AD | 16 | 30.0 | 21.5 |
| UTG18AD | 18 | 33.3 | 22.8 |
| UTG20AD | 20 | 36.5 | |
| UTG22AD | 22 | 39.7 | |
| UTG24AD | 24 | 42.9 | 21.9 |

Standard plating is anodised black. For tin plating add "T" at the end of the part number e.g. UTG12ADT

Mouser Electronics

Authorized Distributor

Click to View Pricing, Inventory, Delivery & Lifecycle Information:

[Souriau:](#)

[UTG10PG](#) [UTG12DCG](#) [UTG16DCG](#) [UTG20DC](#) [UTG10ST](#) [UTG10DCG](#) [UTG20DCG](#) [UTG16DC](#) [UTG18DC](#)
[UTG22DCG](#) [UTG14DCG](#) [UTG18DCG](#) [UTG14DC](#)