

DIN rail adapter - NBC-PP-J1PGY-S/R4IDC8 - 1100077

Please be informed that the data shown in this PDF Document is generated from our Online Catalog. Please find the complete data in the user's documentation. Our General Terms of Use for Downloads are valid (<http://phoenixcontact.com/download>)



DIN rail adapter, degree of protection: IP20, number of positions: 8, 10 Gbps, CAT6_A, material: PC-GF10, connection method: IDC connection, connection cross section: AWG 26- 22, Item set, DIN rail adapter including RJ45 cable connection module

Product Description

Compact DIN rail adapter, including RJ45 cable connection module, with optional shield connection, with dust protection cover, one-piece design

Your advantages

- ✓ For distributing copper and fiber optic cabling
- ✓ Assembly without special tools
- ✓ Compact design: 1TE (DIN 43880)
- ✓ One-Piece Design
- ✓ Front release without special tool
- ✓ Optional overall shielding braid for copper modules
- ✓ Security elements available as accessories
- ✓ Marking service: Phoenix Contact can custom-mark all labels according to your requirements
- ✓ Adapter-less integration of module inserts



Key Commercial Data

Packing unit	1 pc
GTIN	
GTIN	4055626951447

Technical data

Mechanical characteristics

Connection method	IDC connection
Number of slots	1
Minimum external conductor diameter	4.5 mm
Maximum external conductor diameter	9 mm
AWG solid min.	26
AWG solid max.	22

DIN rail adapter - NBC-PP-J1PGY-S/R4IDC8 - 1100077

Technical data

Mechanical characteristics

AWG multi-stranded min.	26
AWG multi-stranded max.	22
Weight	49 g
Flammability rating according to UL 94	V0

Material data

Housing material	PC-GF10
Width	18 mm
Height	80 mm
Depth	64.6 mm
Mounting type	DIN rail: 35 mm

Electrical characteristics

Number of positions	8
GRP transmission properties	CAT6 _A
Transmission speed	10 Gbps
Frequency range	500 MHz
Contact resistance	≤ 5 mΩ (Shield-ground, optional)
Rated voltage (III/3)	72 V (DC)

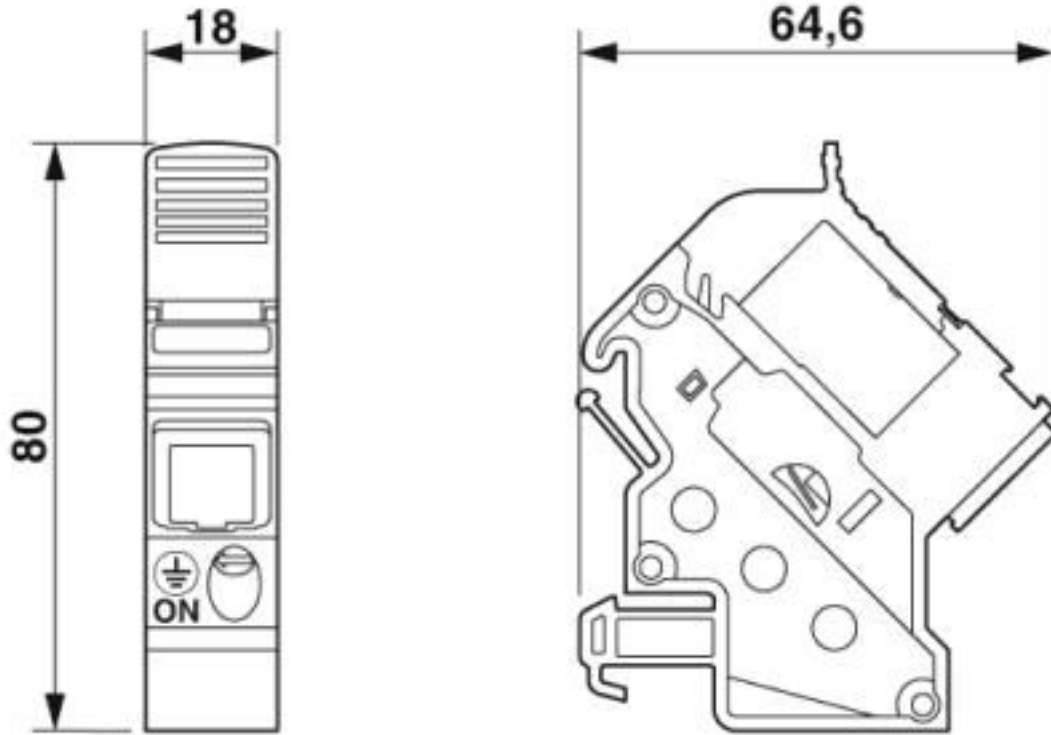
Standards and Regulations

Flammability rating according to UL 94	V0
--	----

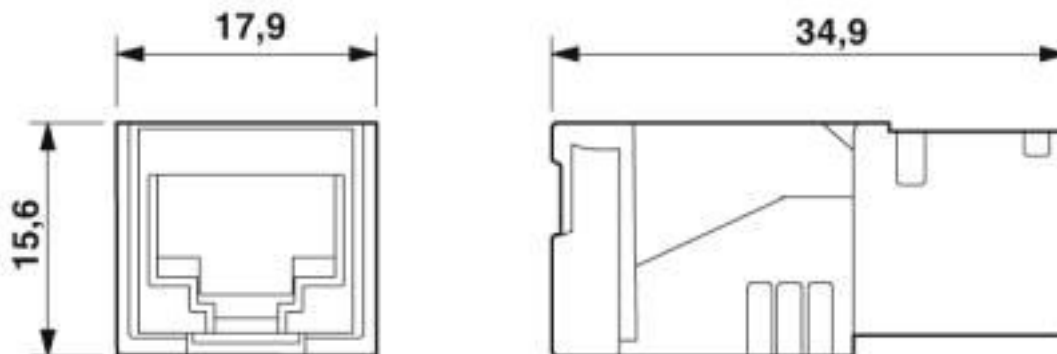
Drawings

DIN rail adapter - NBC-PP-J1PGY-S/R4IDC8 - 1100077

Dimensional drawing



Dimensional drawing



RJ45 socket insert

Articles in set

DIN rail adapter - NBC-PP-G1PGY - 1041740



DIN rail adapter, type: Headers with shielding, degree of protection: IP20, material: PC-GF10, without assembled modules

DIN rail adapter - NBC-PP-J1PGY-S/R4IDC8 - 1100077

Articles in set

RJ45 socket insert - CUC-I-J1ZNI-S/R4IDC8 - 1417274



RJ45 socket insert, type: RJ45, degree of protection: IP20, number of positions: 8, 10 Gbps, CAT6_A, material: Zinc die-cast, connection method: IDC connection, connection cross section: AWG 26- 22, cable outlet: straight, Adapter-free design

Approvals

Approvals

Approvals

EAC

Ex Approvals

Approval details

EAC		19060508
-----	--	----------

Accessories

Accessories

Data cable by the meter

Network cable - VS-OE-OE-93B-100,0 - 1416389



Network cable, PROFINET CAT5 (100 Mbps), 4-position, PVC, green RAL 6018, shielded, free cable end, on free cable end, cable length: 100 m

Network cable - VS-OE-OE-94B-100,0 - 1416567



Network cable, Ethernet CAT5 (1 Gbps), 8-position, PUR halogen-free, water blue RAL 5021, shielded, free cable end, on free cable end, cable length: 100 m

DIN rail adapter - NBC-PP-J1PGY-S/R4IDC8 - 1100077

Accessories

Network cable - VS-OE-OE-94F/... - 1417359



Network cable, Ethernet CAT6_A (10 Gbps), 8-position, PUR halogen-free, water blue RAL 5021, shielded, free cable end, on free cable end, cable length: Free entry (0.5 ... 400 m)

Electronics pliers

Diagonal cutter - MICROFOX-SP-1 - 1212487



Electronic diagonal cutter, tapered head, without chamfer, with opening spring, non-reflective phosphate-treated surface, punched version

Female insert

Dust protection cover - NBC-PP-P1PGY:10 - 1041860



Dust protection cover

Plug Guard Security Frame - NBC-PP-F1PWH:10 - 1041881



Plug Guard Security Frame

Port Guard Security Element - NBC-PP-A1PRD:10 - 1041900



Port Guard Security Element

Labeled terminal marker

DIN rail adapter - NBC-PP-J1PGY-S/R4IDC8 - 1100077

Accessories

Marker for terminal blocks - UC-TMF 16 CUS - 0824678



Marker for terminal blocks, can be ordered: by sheet, white, labeled according to customer specifications, mounting type: snap into flat marker groove, for terminal block width: 16 mm, lettering field size: 15.45 x 5.1 mm, Number of individual labels: 32

Marker for terminal blocks - UC-TMF 16 RD CUS - 0824682



Marker for terminal blocks, can be ordered: by sheet, red, labeled according to customer specifications, mounting type: snap into flat marker groove, for terminal block width: 16 mm, lettering field size: 15.45 x 5.1 mm, Number of individual labels: 32

Marker for terminal blocks - UC-TMF 16 BU CUS - 0824679



Marker for terminal blocks, can be ordered: by sheet, blue, labeled according to customer specifications, mounting type: snap into flat marker groove, for terminal block width: 16 mm, lettering field size: 15.45 x 5.1 mm, Number of individual labels: 32

Marker for terminal blocks - UC-TMF 16 OG CUS - 0824681



Marker for terminal blocks, can be ordered: by sheet, orange, labeled according to customer specifications, mounting type: snap into flat marker groove, for terminal block width: 16 mm, lettering field size: 15.45 x 5.1 mm, Number of individual labels: 32

Marker for terminal blocks - UC-TMF 16 VT CUS - 0824683



Marker for terminal blocks, can be ordered: by sheet, violet, labeled according to customer specifications, mounting type: snap into flat marker groove, for terminal block width: 16 mm, lettering field size: 15.45 x 5.1 mm, Number of individual labels: 32

DIN rail adapter - NBC-PP-J1PGY-S/R4IDC8 - 1100077

Accessories

Marker for terminal blocks - UC-TMF 16 YE CUS - 0824684



Marker for terminal blocks, can be ordered: by sheet, yellow, labeled according to customer specifications, mounting type: snap into flat marker groove, for terminal block width: 16 mm, lettering field size: 15.45 x 5.1 mm, Number of individual labels: 32

Marker for terminal blocks - UC-TMF 16 GN CUS - 0824680



Marker for terminal blocks, can be ordered: by sheet, green, labeled according to customer specifications, mounting type: snap into flat marker groove, for terminal block width: 16 mm, lettering field size: 15.45 x 5.1 mm, Number of individual labels: 32

Mounting rail adapter

DIN rail adapter - FL DIN RA - 2891053



The FL DIN RA is installed in a standard, 19-inch rack (EIA-310-D, IEC 60297-3-100) to allow DIN rail mounted equipment to be rack mounted.

Terminal marking

Marker for terminal blocks - UC-TMF 16 - 0819262



Marker for terminal blocks, Sheet, white, unlabeled, can be labeled with: BLUEMARK ID COLOR, BLUEMARK ID, BLUEMARK CLED, PLOTMARK, CMS-P1-PLOTTER, mounting type: snap into flat marker groove, for terminal block width: 16 mm, lettering field size: 15.45 x 5.1 mm, Number of individual labels: 32

Marker for terminal blocks - UC-TMF 16 VT - 0822699



Marker for terminal blocks, Sheet, violet, unlabeled, can be labeled with: BLUEMARK ID COLOR, BLUEMARK ID, BLUEMARK CLED, PLOTMARK, CMS-P1-PLOTTER, mounting type: snap into flat marker groove, for terminal block width: 16 mm, lettering field size: 15.45 x 5.1 mm, Number of individual labels: 32

DIN rail adapter - NBC-PP-J1PGY-S/R4IDC8 - 1100077

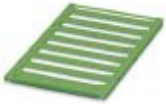
Accessories

Marker for terminal blocks - UC-TMF 16 YE - 0819259



Marker for terminal blocks, Sheet, yellow, unlabeled, can be labeled with: BLUEMARK ID COLOR, BLUEMARK ID, BLUEMARK CLED, PLOTMARK, CMS-P1-PLOTTER, mounting type: snap into flat marker groove, for terminal block width: 16 mm, lettering field size: 15.45 x 5.1 mm, Number of individual labels: 32

Marker for terminal blocks - UC-TMF 16 GN - 0817921



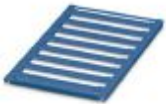
Marker for terminal blocks, Sheet, green, unlabeled, can be labeled with: BLUEMARK ID COLOR, BLUEMARK ID, BLUEMARK CLED, PLOTMARK, CMS-P1-PLOTTER, mounting type: snap into flat marker groove, for terminal block width: 16 mm, lettering field size: 15.45 x 5.1 mm, Number of individual labels: 32

Marker for terminal blocks - UC-TMF 16 OG - 0817811



Marker for terminal blocks, Sheet, orange, unlabeled, can be labeled with: BLUEMARK ID COLOR, BLUEMARK ID, BLUEMARK CLED, PLOTMARK, CMS-P1-PLOTTER, mounting type: snap into flat marker groove, for terminal block width: 16 mm, lettering field size: 15.45 x 5.1 mm, Number of individual labels: 32

Marker for terminal blocks - UC-TMF 16 BU - 0817905



Marker for terminal blocks, Sheet, blue, unlabeled, can be labeled with: BLUEMARK ID COLOR, BLUEMARK ID, BLUEMARK CLED, PLOTMARK, CMS-P1-PLOTTER, mounting type: snap into flat marker groove, for terminal block width: 16 mm, lettering field size: 15.45 x 5.1 mm, Number of individual labels: 32

Marker for terminal blocks - UC-TMF 16 RD - 0817824



Marker for terminal blocks, Sheet, red, unlabeled, can be labeled with: BLUEMARK ID COLOR, BLUEMARK ID, BLUEMARK CLED, PLOTMARK, CMS-P1-PLOTTER, mounting type: snap into flat marker groove, for terminal block width: 16 mm, lettering field size: 15.45 x 5.1 mm, Number of individual labels: 32

DIN rail adapter - NBC-PP-J1PGY-S/R4IDC8 - 1100077

Accessories

Network cable - NBC-150,0-94E - 1408133



CAT6a S/STP cable, 4 x 2 x 23 AWG, solid (1-wire), shielded, outer sheath: PUR, halogen-free, outside diameter: 8.0 mm, RAL 5021 (water blue), cable ring: 150 m

Stripping tool - VS-CABLE-STRIP-VARIO - 1657407



Stripping tool, for the multi-level stripping of shielded cables

Spare parts

RJ45 socket insert - CUC-I-J1ZNI-S/R4IDC8 - 1417274



RJ45 socket insert, type: RJ45, degree of protection: IP20, number of positions: 8, 10 Gbps, CAT6_A, material: Zinc die-cast, connection method: IDC connection, connection cross section: AWG 26- 22, cable outlet: straight, Adapter-free design

Phoenix Contact 2020 © - all rights reserved
<http://www.phoenixcontact.com>

PHOENIX CONTACT GmbH & Co. KG
Flachsmarktstr. 8
32825 Blomberg
Germany
Tel. +49 5235 300
Fax +49 5235 3 41200
<http://www.phoenixcontact.com>

Mouser Electronics

Authorized Distributor

Click to View Pricing, Inventory, Delivery & Lifecycle Information:

[Phoenix Contact:](#)

[1100077](#)