

Surge protection plug - TTC-6P-4-24DC-I-P - 1106015

Please be informed that the data shown in this PDF Document is generated from our Online Catalog. Please find the complete data in the user's documentation. Our General Terms of Use for Downloads are valid (<http://phoenixcontact.com/download>)




Surge protection plug with integrated status indicator on the module for a 4-wire floating signal circuit with a high nominal current. Nominal voltage: 24 V DC

Your advantages

- ✓ Efficient use of space: the narrowest pluggable surge protection solution for 4-conductor applications
- ✓ Easy function monitoring: on-site or optionally via remote signaling, with optical monitoring, without additional effort
- ✓ Servicing without affecting the signal: replace the surge protection module without affecting the measuring signal
- ✓ Flexible choice: Push-in Technology or screw connection



Key Commercial Data

Packing unit	1 pc
GTIN	 4 055626 990569
GTIN	4055626990569

Technical data

Dimensions

Height	39 mm
Width	6.2 mm +0.1 mm
Depth	60.3 mm

Ambient conditions

Ambient temperature (operation)	-40 °C ... 85 °C
Ambient temperature (storage/transport)	-40 °C ... 85 °C
Permissible humidity (operation)	5 % ... 95 %
Altitude	≤ 4000 m (amsl (above mean sea level))
Degree of protection	IP20

General

Housing material	PBT
------------------	-----

Surge protection plug - TTC-6P-4-24DC-I-P - 1106015

Technical data

General

Flammability rating according to UL 94	V-0
Color	light grey RAL 7035
Mounting type	on base element
Type	Male
Direction of action	Line-Line & Line-Earth Ground

Protective circuit

Nominal voltage U_N	24 V DC
	24 V AC
Maximum continuous voltage U_C	36 V DC
	30 V AC
Rated current	2.5 A (60°C for insulated systems)
Surge protection fault message	optical

Connection data

Connection method	pluggable
-------------------	-----------

Standards and Regulations

Standards/specifications	IEC 61643-21 2000 + corrigendum 2001 + A1:2008, modified + A2:2012
	EN 61643-21 2001 + A1:2009 + A2:2013

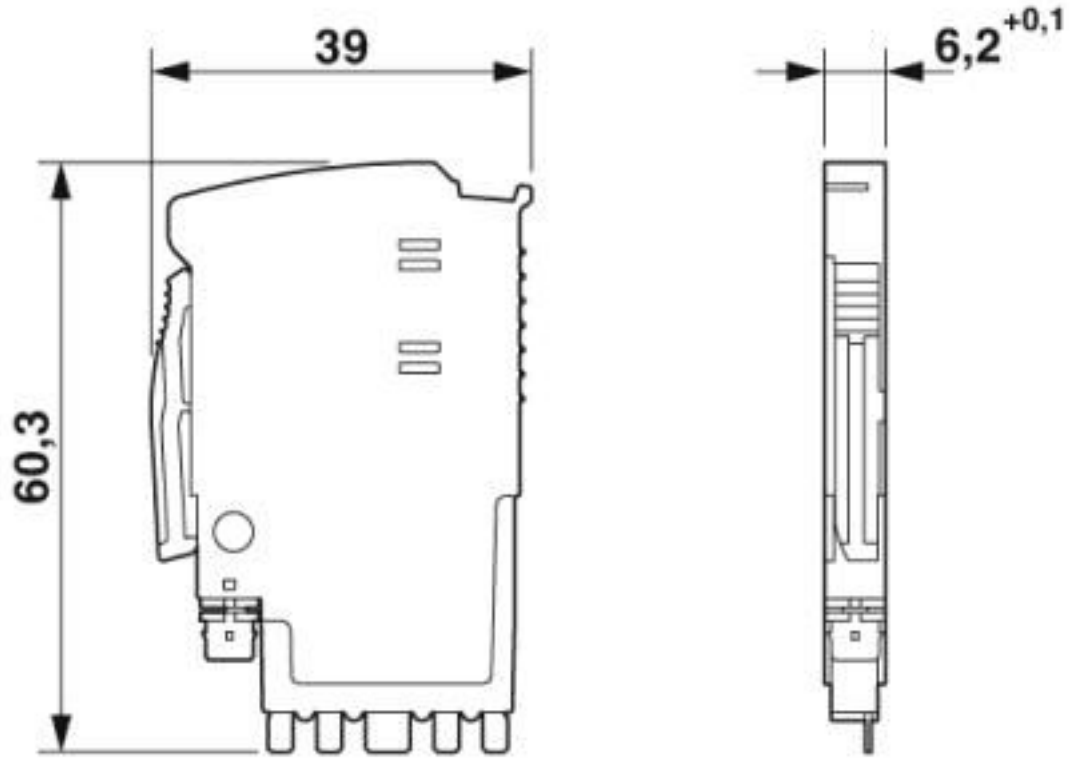
Environmental Product Compliance

REACH SVHC	Lead 7439-92-1
------------	----------------

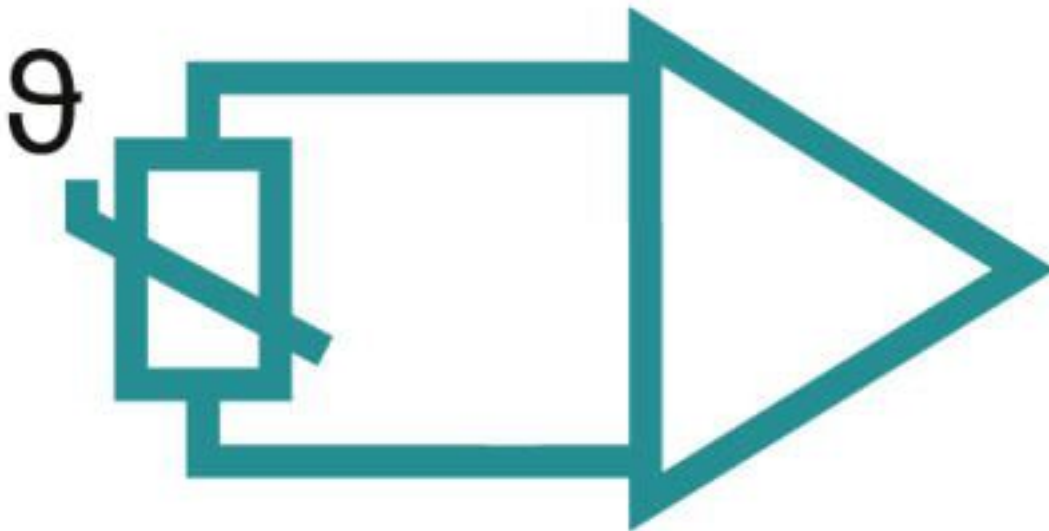
Drawings

Surge protection plug - TTC-6P-4-24DC-I-P - 1106015

Dimensional drawing

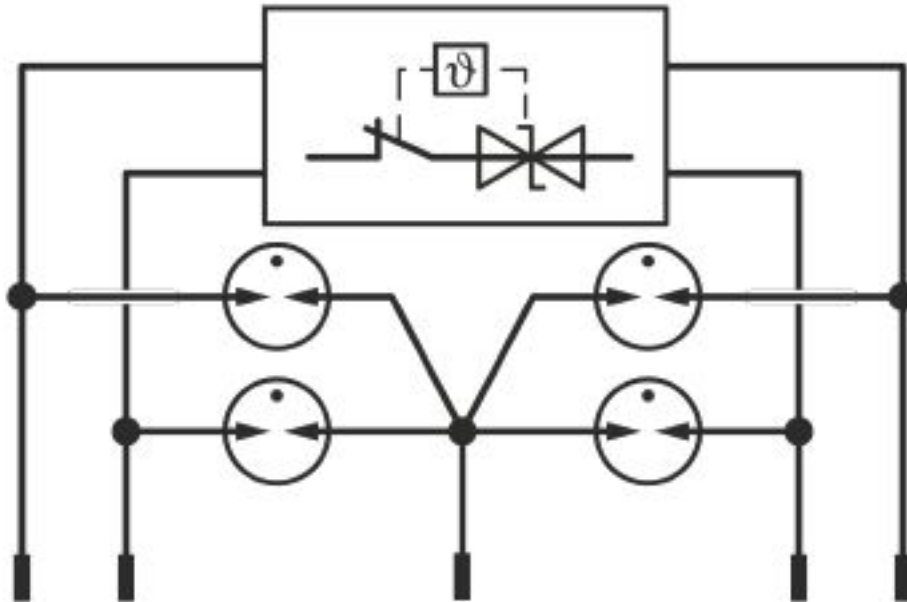


Pictogram



Surge protection plug - TTC-6P-4-24DC-I-P - 1106015

Circuit diagram



Classifications

eCl@ss

eCl@ss 10.0.1	27130890
eCl@ss 8.0	27130890
eCl@ss 9.0	27130890

ETIM

ETIM 5.0	EC002496
----------	----------

Approvals

Approvals

Approvals

UL Listed

Ex Approvals

UL Listed / cUL Listed / cULus Listed

Approval details

Surge protection plug - TTC-6P-4-24DC-I-P - 1106015

Approvals

UL Listed		http://database.ul.com/cgi-bin/XYV/template/LISEXT/1FRAME/index.htm	FILE E 138168
-----------	--	---	---------------

Accessories

Accessories

Labeled terminal marker

Zack Marker strip, flat - ZBF 6 CUS - 0825027



Zack Marker strip, flat, Strip, can be ordered: Strip, white, labeled according to customer specifications, mounting type: snap into flat marker groove, for terminal block width: 6.2 mm, lettering field size: 5.15 x 6.15 mm, Number of individual labels: 10

Zack Marker strip, flat - ZBF 6,QR:FORTL.ZAHLEN - 0808765



Zack Marker strip, flat, Strip, white, labeled, Printed vertically: consecutive numbers 1 ... 10, 11 ... 20, etc. up to 91 ... 100, mounting type: snap into flat marker groove, for terminal block width: 6.2 mm, lettering field size: 5.15 x 6.15 mm, Number of individual labels: 10

Marker pen

Marker pen - X-PEN 0,35 - 0811228



Marker pen without ink cartridge, for manual labeling of markers, labeling extremely wipe-proof, line thickness 0.35 mm

Terminal marking

Zack Marker strip, flat - ZBF 6:UNBEDRUCKT - 0808710



Zack Marker strip, flat, Strip, white, unlabeled, can be labeled with: PLOTMARK, CMS-P1-PLOTTER, mounting type: snap into flat marker groove, for terminal block width: 6.2 mm, lettering field size: 5.15 x 6.15 mm, Number of individual labels: 10

Surge protection plug - TTC-6P-4-24DC-I-P - 1106015

Accessories

Zack Marker strip, flat - ZBF 6/WH-100:UNBEDRUCKT - 0808736



Zack Marker strip, flat, Strip, white, unlabeled, can be labeled with: PLOTMARK, CMS-P1-PLOTTER, mounting type: snap into flat marker groove, for terminal block width: 6.2 mm, lettering field size: 5.15 x 6.15 mm, Number of individual labels: 10

Phoenix Contact 2020 © - all rights reserved
<http://www.phoenixcontact.com>

PHOENIX CONTACT GmbH & Co. KG
Flachsmarktstr. 8
32825 Blomberg
Germany
Tel. +49 5235 300
Fax +49 5235 3 41200
<http://www.phoenixcontact.com>

Mouser Electronics

Authorized Distributor

Click to View Pricing, Inventory, Delivery & Lifecycle Information:

[Phoenix Contact:](#)

[1106015](#)