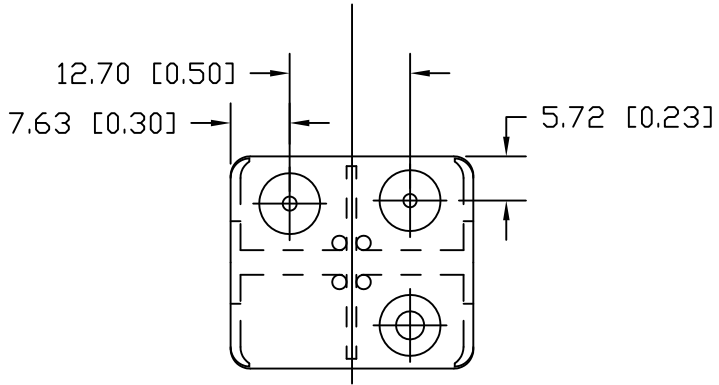
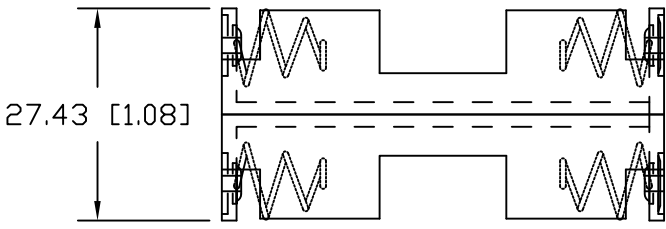
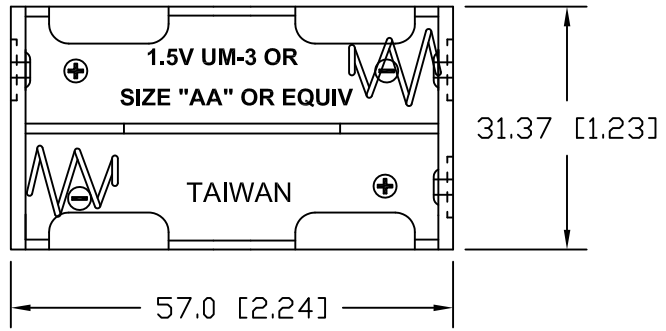



Date	SYM	REVISION RECORD	AUTH	DR.	CK.
3/18/07	D	ADDED DIM. 7.63 AND 5.72	T.B.	B.S.	
5/12/17	E	DIM. 57.0 WAS 57.15	T.B.	B.S.	



**MATERIAL:**  
 HOUSING: POLYPROPYLENE  
 FLAMMABILITY RATING -UL94 HB, UL FILE NO. E216959  
 TEMPERATURE RANGE: -10°C to +100°C  
 SPRINGS: SPRING STEEL, NICKEL PLATED  
 BUMP PLATES: BRASS, NICKEL PLATED  
 RIVETS: BRASS, NICKEL PLATED  
 CONTACT RESISTANCE: UNDER 50mΩ FOR +/- CONTACTS  
 PER EIA-540J000  
 ROHS 2 COMPLIANT

Tolerance (Inches)	 <b>Memory Protection Devices, Inc</b> 200 Broad Hollow Road, Farmingdale, New York 11735		
Decimal ±.5 (.020)		Scale	Drawn By B.S.
			Approved By T.B.
Fractional ± .8 (.030)	Title 4 "AA" BATTERY HOLDER		
Angular ± 3°	Date 05/12/17	Drawing Number BH24AAB	