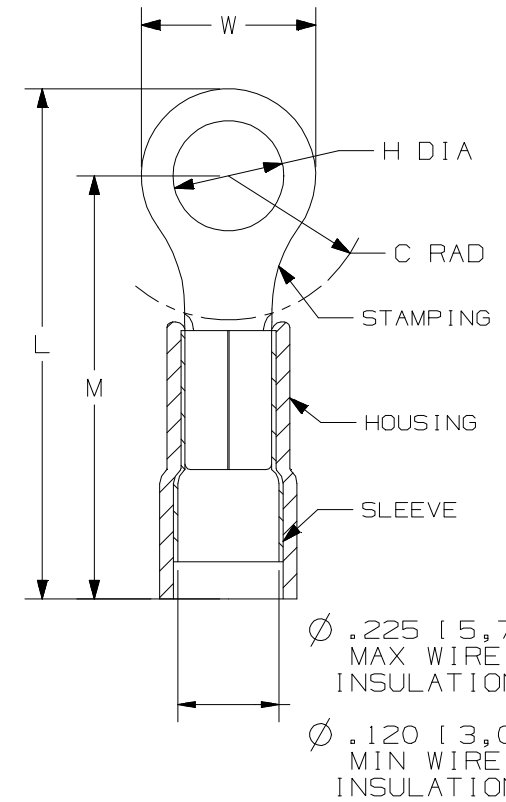


THIS COPY IS PROVIDED ON A RESTRICTED BASIS AND IS NOT TO BE USED IN ANY WAY DETRIMENTAL TO THE INTERESTS OF PANDUIT CORP.

PANDUIT PART #	MILITARY PART # AND CLASS	STUD SIZE	DIMENSIONS in. [mm]				
			L ± .04 [1,0]	W ± .01 [0,3]	C ± .02 [0,5]	M ± .04 [1,0]	H ± .01 [0,3]
PN10-6R	MS25036-111 CLASS 1 & 2	#6	1.06 [26,9]	.37 [9,4]	.31 [7,9]	.88 [22,3]	.15 [3,8]
PN10-6RN	-----	#6	1.04 [26,4]	.31 [7,9]	.31 [7,9]	.88 [22,3]	.15 [3,8]
PN10-8R	MS25036-156 CLASS 1 & 2	#8	1.06 [26,9]	.37 [9,4]	.31 [7,9]	.88 [22,3]	.17 [4,3]
PN10-8RN	-----	#8	1.04 [26,4]	.31 [7,9]	.31 [7,9]	.88 [22,3]	.17 [4,3]
PN10-10R	MS25036-112 CLASS 1 & 2	#10	1.06 [26,9]	.38 [9,7]	.31 [7,9]	.88 [22,3]	.20 [5,1]
PN10-10RN	-----	#10	1.04 [26,4]	.31 [7,9]	.31 [7,9]	.88 [22,3]	.20 [5,1]
PN10-14R	MS25036-157 CLASS 1 & 2	1/4"	1.21 [30,7]	.52 [13,2]	.38 [9,7]	.95 [24,1]	.27 [ 6,9]
PN10-56R	MS25036-113 CLASS 1 & 2	5/16"	1.21 [30,7]	.52 [13,2]	.38 [9,7]	.95 [24,1]	.33 [8,4]
PN10-38R	MS25036-114 CLASS 1 & 2	3/8"	1.29 [32,8]	.58 [14,7]	.43 [10,9]	1.00 [25,4]	.39 [9,9]
PN10-12R	-----	1/2"	1.47 [37,3]	.72 [18,3]	.53 [13,5]	1.11 [28,2]	.52 [ 13,2]

**UL & CSA TOOLS (DIES)**  
 CT-100A  
 CT-600-A (CT-550CH)  
 \*CT-1550  
 \*CT-1551  
 CT-2500 (CT-2550CH)  
 \* NOT UL/CSA WITH #10AWG SOLID COPPER WIRE

**MILITARY CLASS 2 TOOL**  
 CT-460



NOTES:

- UL LISTED AND CSA CERTIFIED FOR:
  - A. 600V. MAX. BLDG. WIRE (1000V. MAX. IN SIGNS, FIXTURES & LUMINARIES)
  - B. 221°F. (105°C) MAX. TEMP. RATING
  - C. #12-10 AWG STRANDED AND SOLID COPPER
- MATERIAL:
  - A. STAMPING: .04" [1,02] THK. COPPER, TIN PLATED
  - B. HOUSING: NYLON, YELLOW
  - C. SLEEVE: BRASS, TIN PLATED
- WIRE STRIP LENGTH:  $9/32" \begin{matrix} +1/32 \\ -0 \end{matrix} [7,1 \text{ mm} \begin{matrix} +0,8 \\ -0 \end{matrix}]$
- SEE [www.PANDUIT.com](http://www.PANDUIT.com) FOR PACKAGE QUANTITIES
- DIMENSIONS IN PARENTHESIS ARE IN MILLIMETERS



Panduit part numbers shown on this drawing meet the material requirements of RoHS (EUROPEAN DIRECTIVES 2002/95/EC) as proposed by the Technical Adaptation Committee

TITLE		<b>#12-10 RING TERMINALS 3PC. NYLON INSULATED</b>	
CONTROL DRAWING			
ITEM REVISION NAME	N41186BA/10		
DATASET FILE NAME	N41186BA/10		
UNLESS OTHERWISE SPECIFIED, DIMENSIONAL TOLERANCES ARE: IN [mm]		MATERIAL:	
.x ± .1 [ 2,54 ]	.xxx ± .005 [ .127 ]	SEE NOTES	
.xx ± .01 [ .25 ]	ANGLES ± 5 °	DRAWING NUMBER:	
THIRD ANGLE PROJECTION		A41186	
DRAWN BY	DATE	CHK	SCALE
FES		LA	NONE
DESCRIPTION		SHT 1 OF 1	
REV	DATE	BY	CHK
APR			
DESCRIPTION		SIZE	
ECN		A	

B

B

A

A

D10100DA/16

# Mouser Electronics

Authorized Distributor

Click to View Pricing, Inventory, Delivery & Lifecycle Information:

[Panduit:](#)

[PN10-8R-D](#) [PN10-14R-D](#) [PN10-56R-D](#) [PN10-38R-D](#) [PN10-6R-D](#) [PN10-12R-E](#)