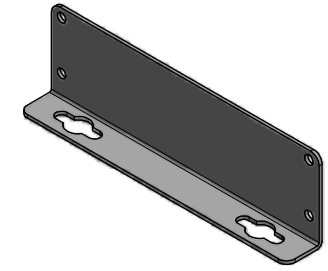
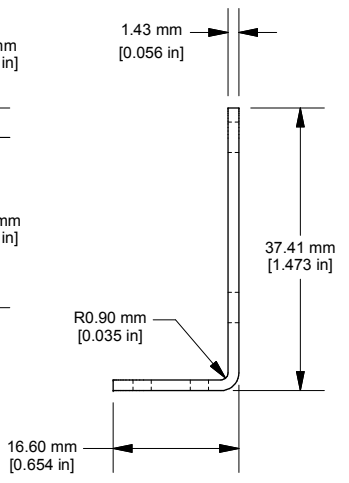
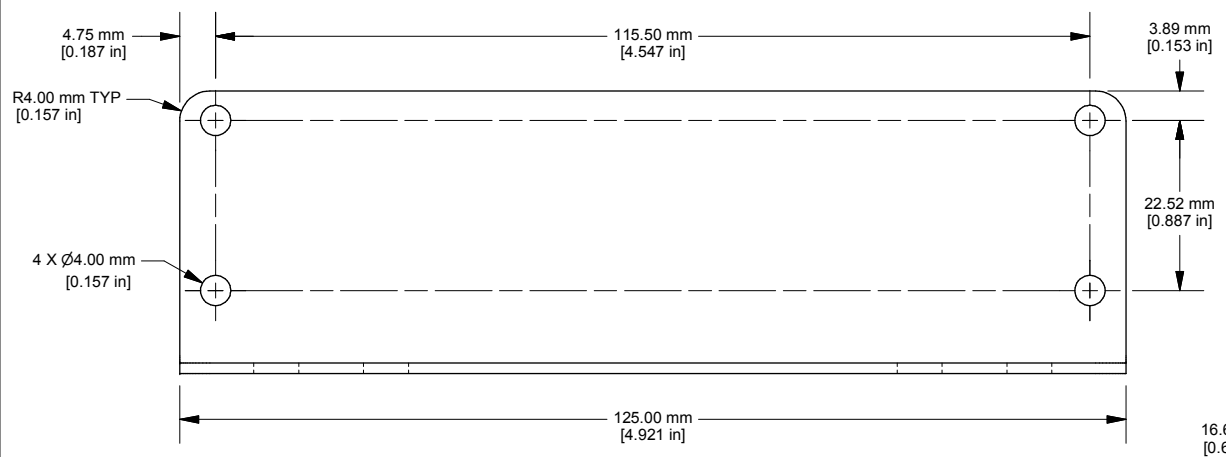


2

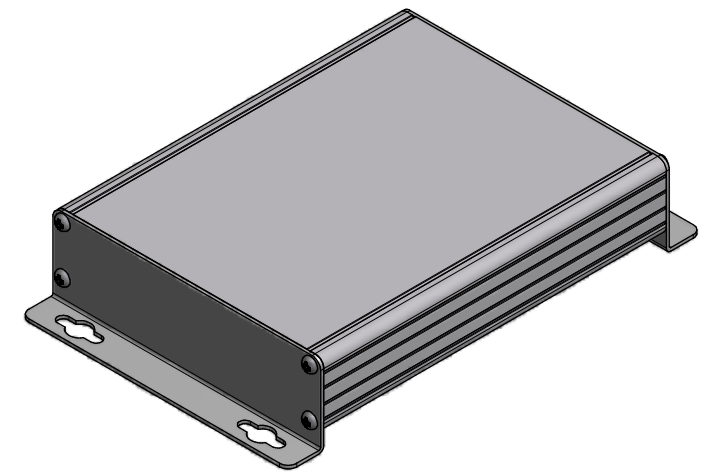
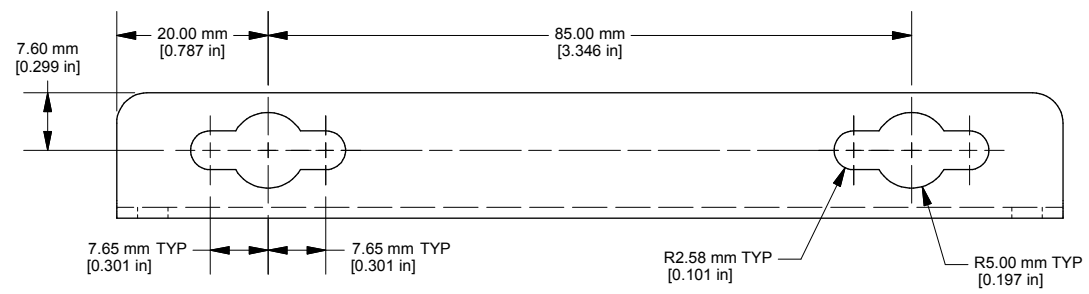
1

B

B



FLANGE



ASSEMBLY WITH FLANGES

A

A

2

1



HAMMOND
MANUFACTURING™
1455PF
www.hammondmfg.com