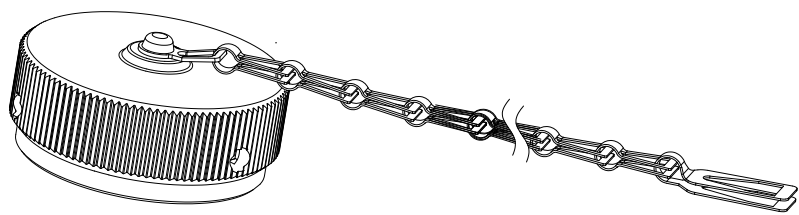
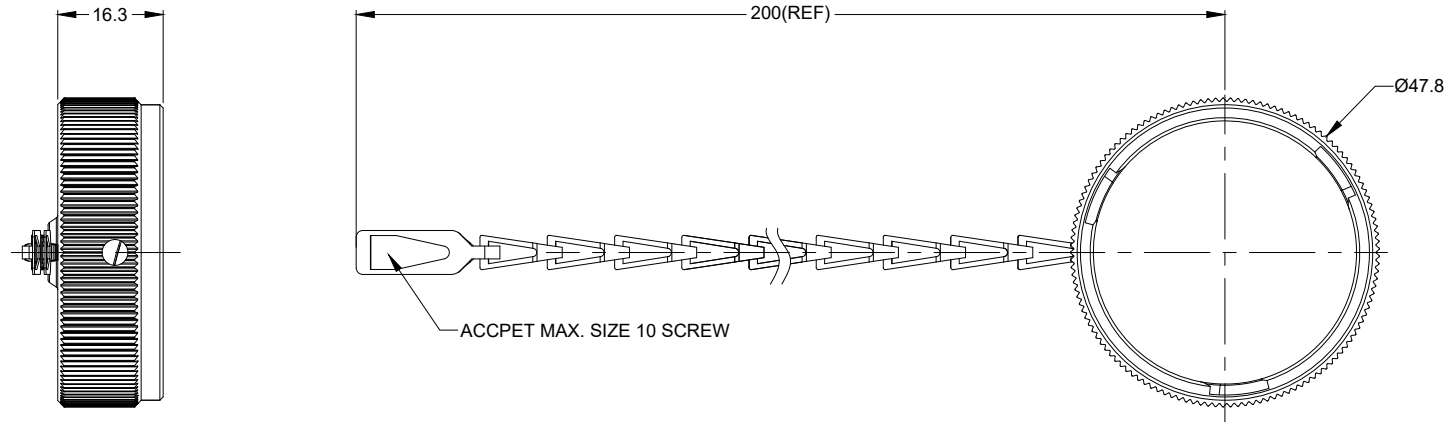


REVISIONS					
REV	ECO	DESCRIPTION	DATE	BY	APPR
A1	--	RELEASE NEW DRAWING	16/OCT/18	ROOKIE	TOMMY



NOTES: UNLESS OTHERWISE SPECIFIED

- MATERIAL:  
SHELL: ALUMINUM ALLOY, NICKEL PLATED;  
CHAIN: STAINLESS STEEL;  
SEAL: SILICONE RUBBER.
- MATE WITH AHDM SERIES SIZE 24 RECEPTACLE ( AHDM04-24-\*\*\*\* ,  
\* = ALL MODIFICATION ) .
- IP CLASS : IP67&IP69K ( MATED CONDITION ) .
- RoHS COMPLIANT.
- ALL DIMENSIONS ARE FOR REFERENCE USE ONLY.

TITLE: PROTECTIVE CAP FOR RECEPTACLE,AHDM,SIZE 24  
DWG NO: AHDC36-24  
REV: A1  
SH: 1  
OF: 1

AHDC36-24		DESCRIPTION		ITEM
PART NUMBER		DESCRIPTION		ITEM
QUANTITY				
MATERIALS LIST				
UNLESS OTHERWISE SPECIFIED: 1) All dimensions are in metric(mm). 2) Tolerances are as follows: 1 PL DEC ±0.30   Fractions ±1/64 2 PL DEC ±0.15   Angles ±1° 3 PL DEC ±0.08		SIGNATURES		DATE
MATERIAL SPECIFICATIONS:		DRAWN: ROOKIE		16/OCT/18
PROCESS SPECIFICATIONS:		CHECKED: ORION		16/OCT/18
NEXT ASSY:		APPROVAL: TOMMY		16/OCT/18
THIS DRAWING IS SUPPLIED FOR INFORMATION ONLY. DESIGN FEATURES, SPECIFICATIONS AND PERFORMANCE DATA SHOWN HEREON ARE THE PROPERTY OF THE AMPHENOL CORPORATION. NO RIGHTS OF REPRODUCTION ARE IMPLIED. ALL DIMENSIONS ARE SUBJECT TO NORMAL MANUFACTURING VARIATIONS.		CUSTOMER:		
SIZE		TYPE		DWG NO:
B C-		AHDC36-24		REVISION
SCALE: NONE		SHEET 1 OF 1		A1

**Amphenol**  
Sine Systems - www.amphenol-sine.com  
44724 Morley Drive  
Clinton Township, MI 48036