

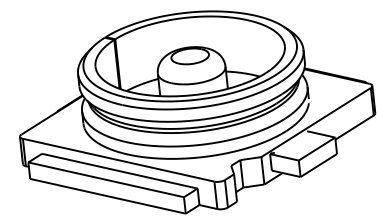
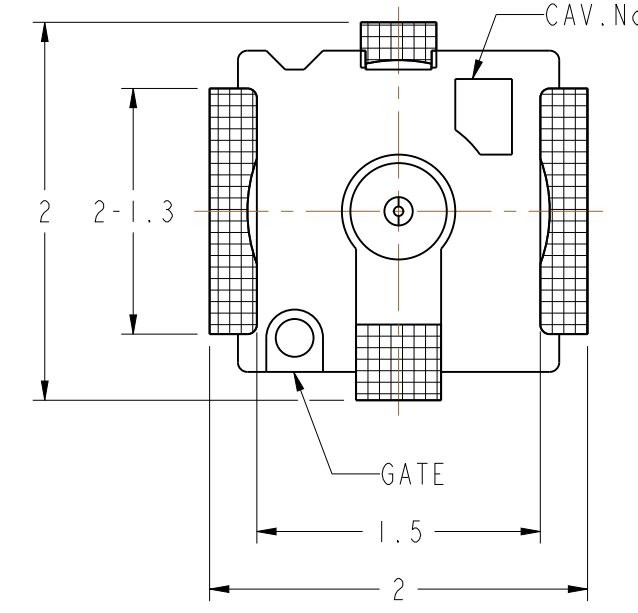
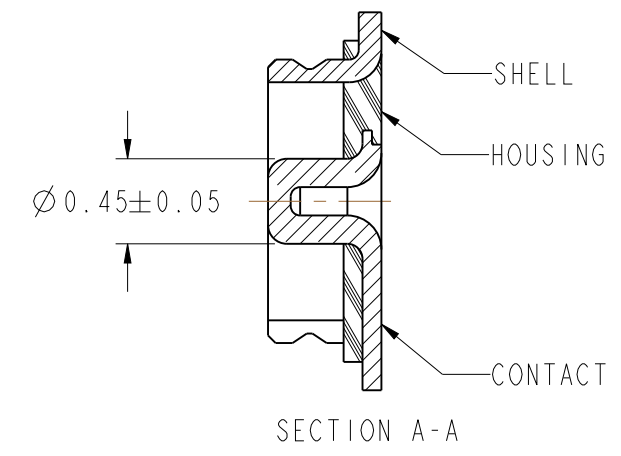
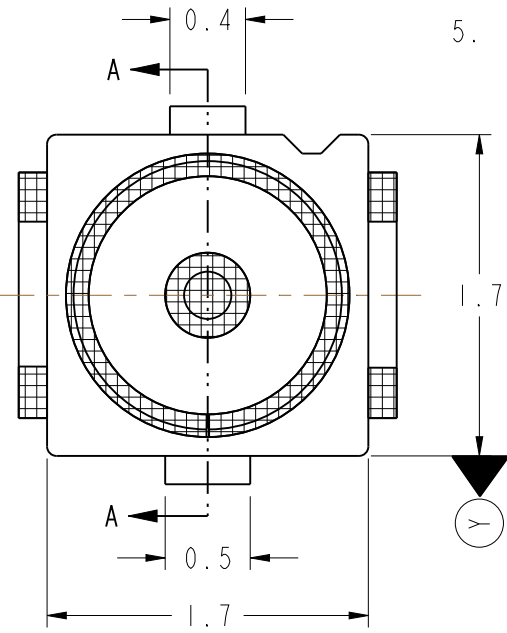
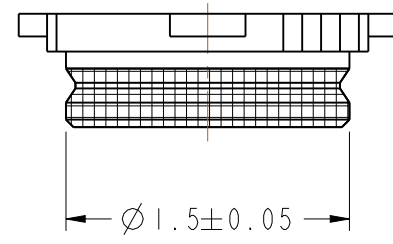
THIRD ANGLE PROJ.

REVISIONS

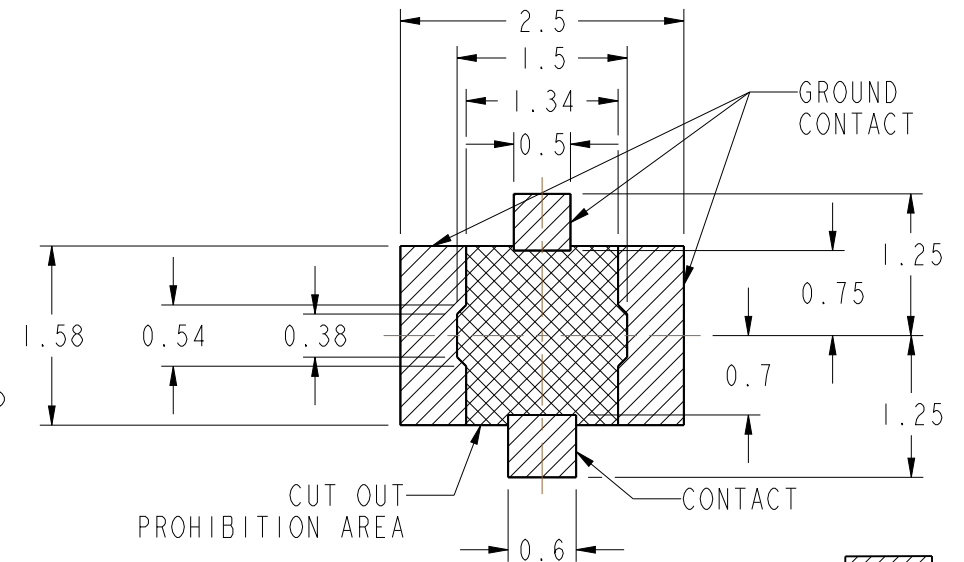
REV	DESCRIPTION	DATE	ECO	APPR
A	RELEASE TO MFG	07-Jan-15		SW
B	ADDED NOTES 4/RD-DMI503250IS6	13-Apr-15		S.HSIEH
C	NOTE 1 WAS CHANGED/RD-DMI706150IS6	23-Jun-17		SW
D	AMC4 WAS USS, ADD NOTE 5	05-Jun-18	8268	NB
E	ADDED AMC4 PART NO. A-4JA	07-Jan-19	10162	EH

NOTES:

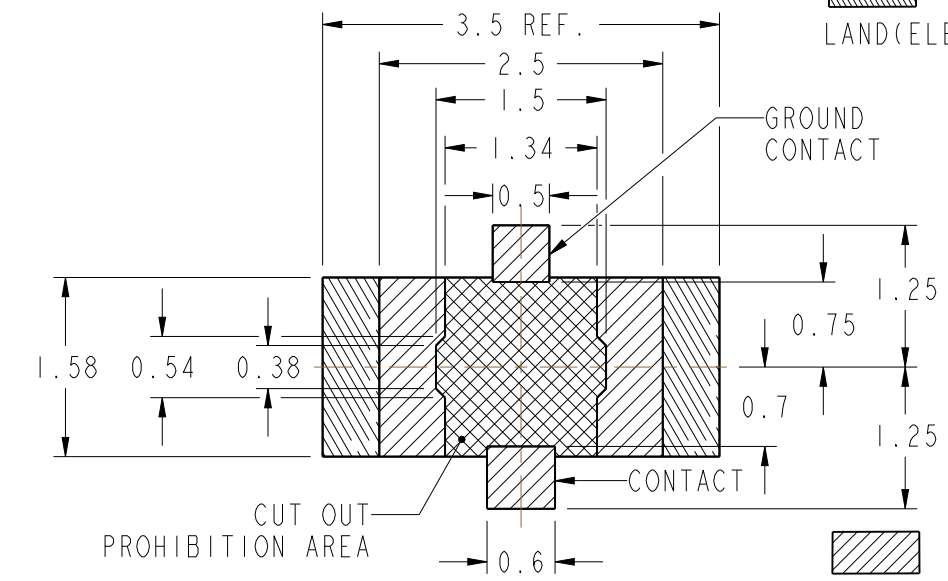
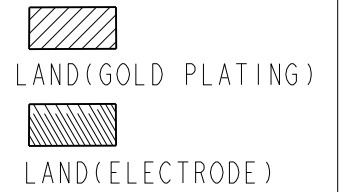
- MATERIALS AND FINISHES(PLATING THICKNESS IN MICRO-INCHES):  
 SHELL - COPPER ALLOY, SELECTIVELY GOLD PLATING OVER Ni  
 CONTACT - COPPER ALLOY, SELECTIVELY GOLD PLATING OVER Ni  
 HOUSING - HIGHT TEMP. PLASTIC UL94V-0, BLACK
- ELECTRICAL:  
 A. IMPEDANCE: 50 OHM  
 B. RATED VOLTAGE: 60V AC  
 C. FREQUENCY RANGE: DC-6 GHz  
 D. VSWR: 1.3 MAX. @ DC~3 GHz  
 1.4 MAX. @ 3~6 GHz  
 E. OPERATING TEMPERATURE: -40°C ~ +90°C
- MECHANICAL:  
 A. DURABILITY: 30 CYCLES MIN.
- THE LOCATION OF CAVITY NUMBER AND GATE MAY BE ARRANGED IN LEFT OR RIGHT SIDE OF THE SOLDER TAILS.
- AMC4 IS FULLY COMPATIBLE WITH IPEX MH4 AND MURATA HSC.



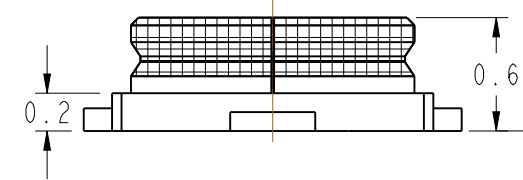
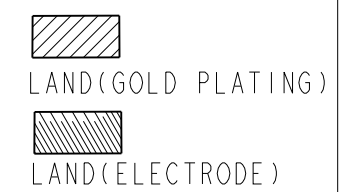
SCALE 20.000



STANDARD P.C.B. LAYOUT  
 TOLERANCE: ±0.05 SCALE: 1:2



RECOMMENDED LAND PATTERN  
 TOLERANCE: ±0.05 SCALE: 1:2



COPLANARITY:  
 BEFORE IR REFLOW 0.08 MAX.  
 AFTER IR REFLOW 0.1 MAX.

**CUSTOMER OUTLINE DRAWING**  
 ALL OTHER SHEETS ARE FOR INTERNAL USE ONLY

UNLESS OTHERWISE SPECIFIED, DIMENSIONS ARE IN METRIC AND TOLERANCES ARE: <0.5mm ±0.05mm    0.5 - 6mm ±0.1mm    6 - 30mm ±0.2mm    30 - 120mm ±0.3mm    ANGLES ±1°	MATERIAL	DRAWN STAMN	DATE	TITLE AMC4 RF REC CONN 4 GENERATION, HO.6 AMC4 RF SERIES SCALE: 25.0:1.0 SHEET 1 OF 1	Amphenol RF www.amphenolrf.com
	NOTICE - These drawings, specifications, or other data (1) are, and remain the property of Amphenol corp. (2) must be returned upon request; and (3) are confidential and not to be disclosed to any person other than those to whom they are given by Amphenol Corp. the furnishing of these drawings, specifications, or other data by Amphenol Corp., or to any other person to anyone for any purpose is not to be regarded by implication or otherwise in any manner licensing, granting rights to permitting such holder or any other person to manufacture, use or sell any product, process or design, patented or otherwise, that may in any way be related to or disclosed by said drawings, specifications, or other data.	REFERENCE 818000500 EAR5104	ENGINEER RICKSON		
	FINISH: SEE NOTES 1	APPROVED K. CAPOZZI	DATE 07-Jan-19	DWG SIZE B	REV E
					ITEM NO. 991202AAAA1ZB5F PART NO. A-4JA