

NOTES:

1. MATERIALS AND FINISHES:
 BODY - BRASS, GOLD PLATING
 CONTACT - BeCu, GOLD PLATING
 INSULATOR - PTFE, NATURAL
2. ELECTRICAL:
 A. IMPEDANCE: 50 OHM
 B. FREQUENCY RANGE: DC - 26.5 GHz
 C. VSWR(RETURN LOSS): 1.11 MAX (-26 dB MIN) @ DC-6 GHz
 1.22 MAX (-20 dB MIN) @ 6-18 GHz
 1.33 MAX (-17 dB MIN) @ 18-26.5 GHz
 CONNECTOR ONLY, PERFORMANCE WILL VARY
 BASED ON BOARD LAYOUT
 D. DIELECTRIC WITHSTANDING VOLTAGE: 500 VRMS, MIN.

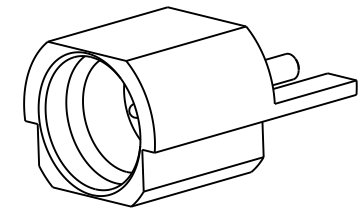
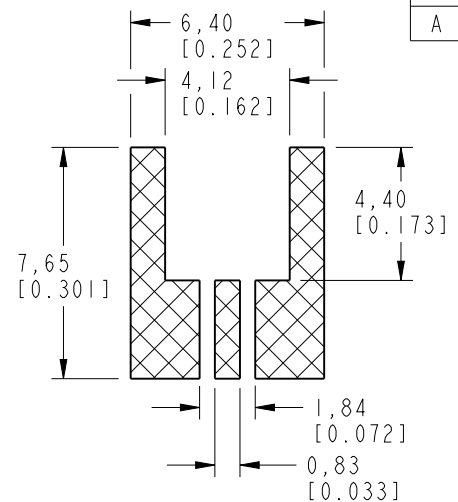
3. MECHANICAL:
 A. DURABILITY: 500 CYCLES MIN.
 B. TEMPERATURE RANGE: -65°C TO +165°C
 C. ENGAGEMENT FORCE: 2 LBS (9 N) MAX.
 D. DISENGAGEMENT FORCE: 0.5 LBS (2.2 N) MIN.

4. PACKAGING:
 A. QUANTITY: SEE TABLE
 B. MARKING: REEL OR TRAY TO BE MARKED
 "AMPHENOL RF, PART NUMBER & YYWW"

PART NUMBER	PACKAGING METHOD	QUANTITY
SMP-MSSB-PCE-4	TRAY	50
SMP-MSSB-PCE-4T	TAPE & REEL	1000

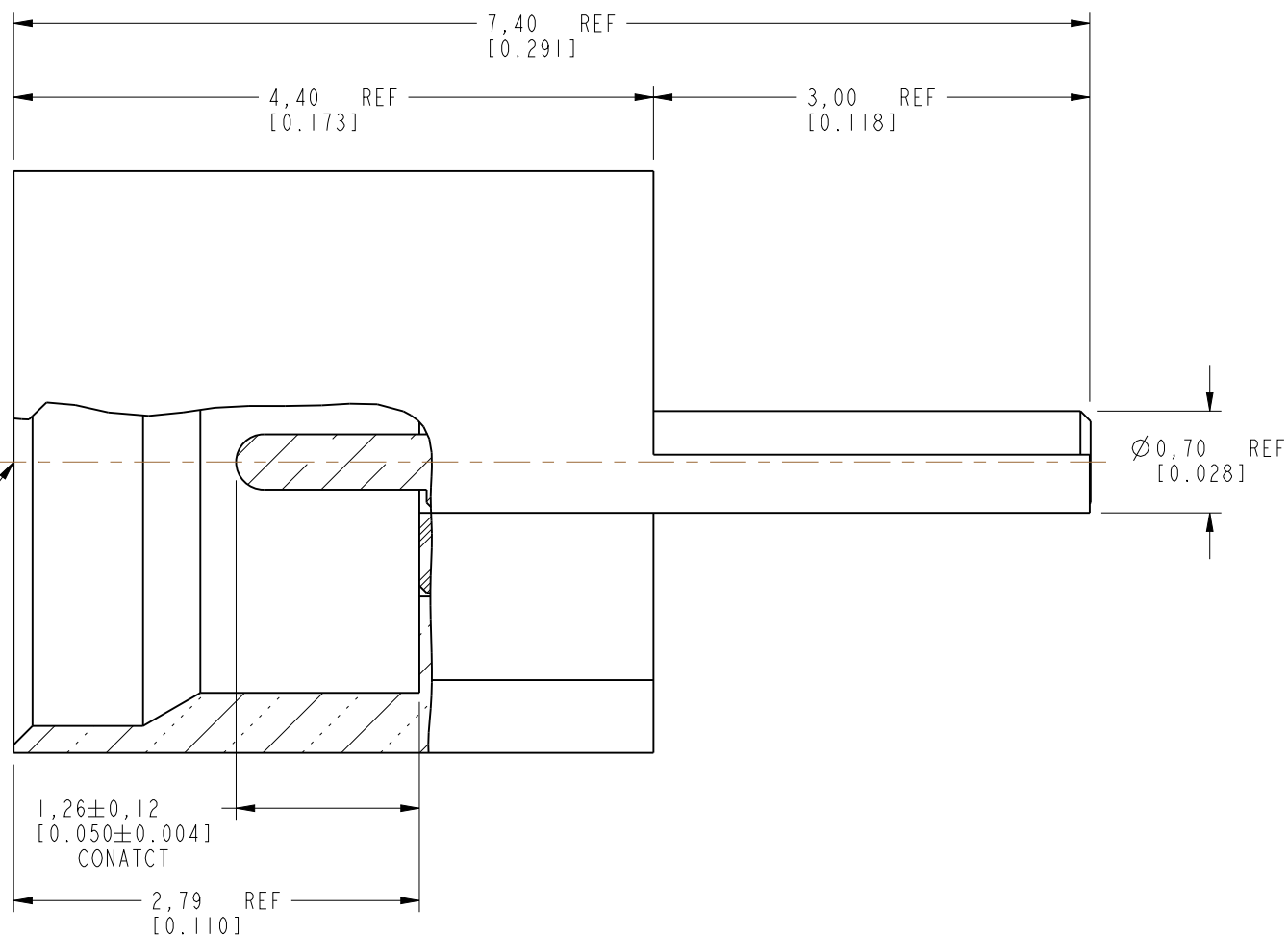
THIRD ANGLE PROJ.

REVISIONS				
REV	DESCRIPTION	DATE	ECN	APPR
A	RELEASE TO MFG.	18-Jun-19	11903	EH

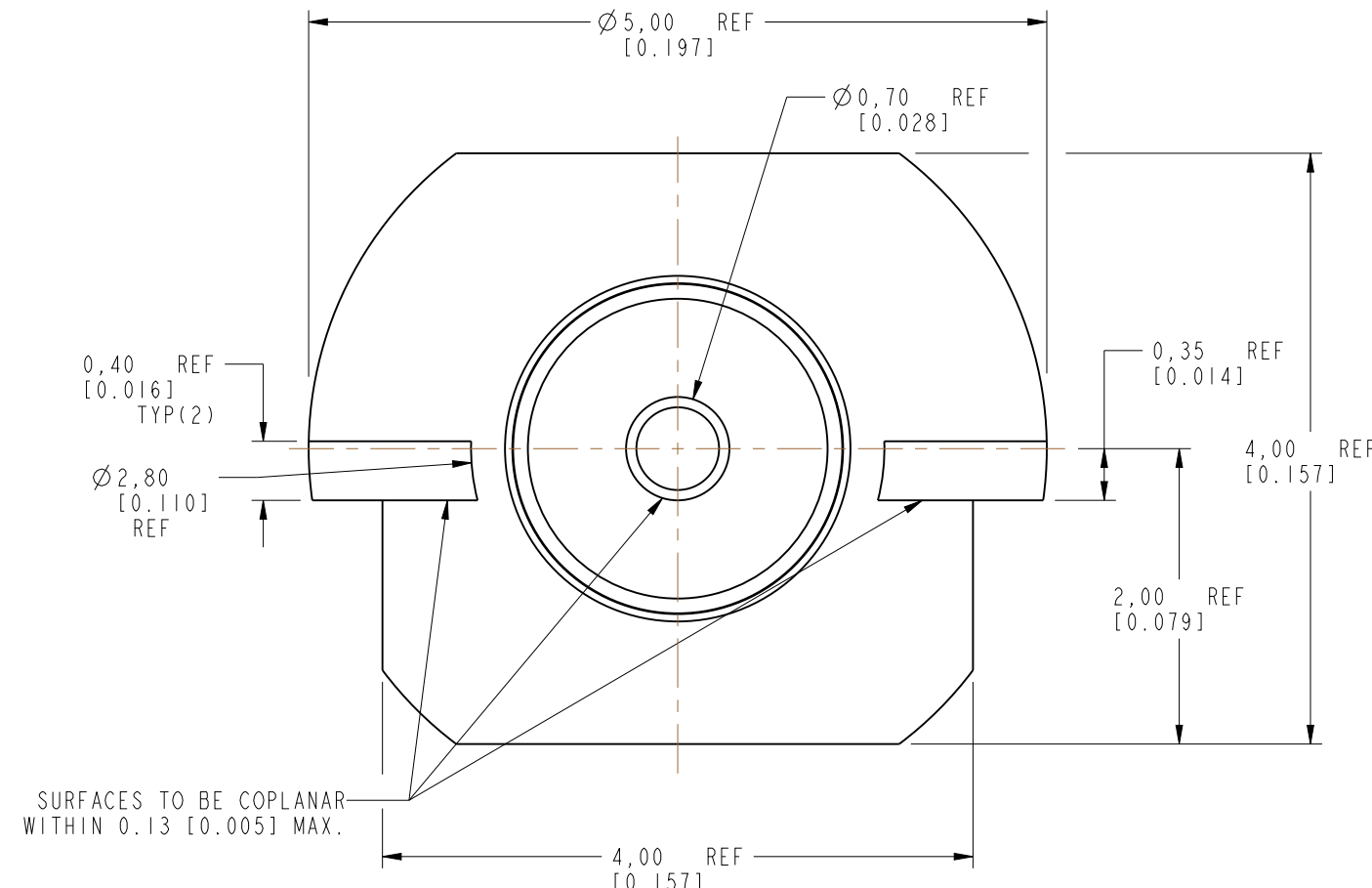


SCALE 5.000

RECOMMENDED PCB LAYOUT



INTERFACE PER MIL-STD-348 SERIES: SMP JACK SMOOTH BORE



SURFACES TO BE COPLANAR WITHIN 0.13 [0.005] MAX.

CUSTOMER OUTLINE DRAWING

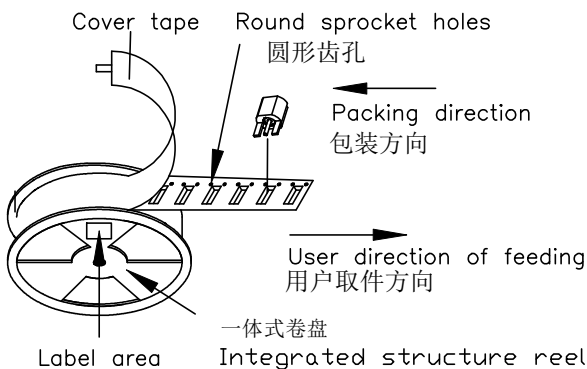
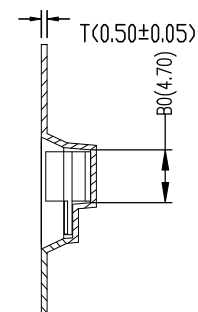
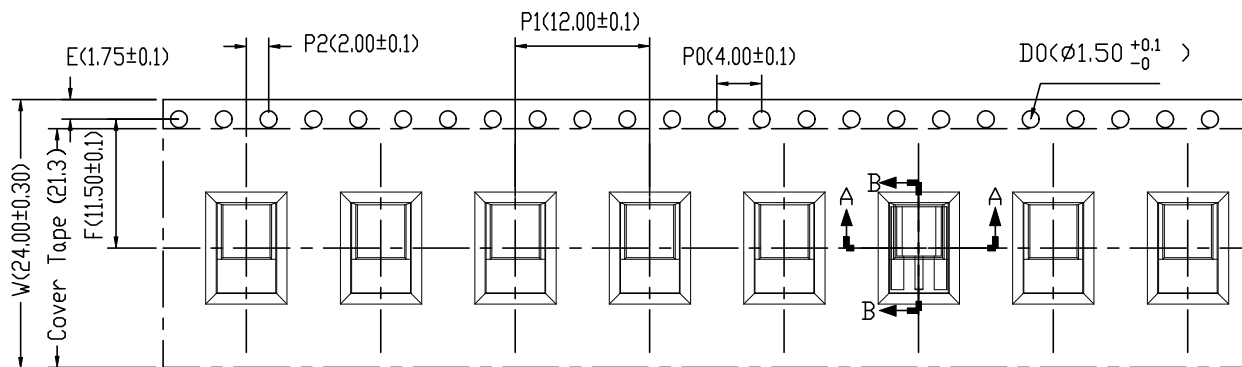
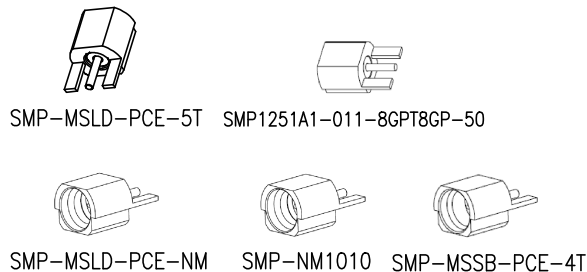
ALL OTHER SHEETS ARE FOR INTERNAL USE ONLY

UNLESS OTHERWISE SPECIFIED, DIMENSIONS ARE IN METRIC AND TOLERANCES ARE: <0.5mm ±0.05mm 0.5 - 6mm ±0.1mm 6 - 30mm ±0.2mm 30 - 120mm ±0.3mm ANGLES ±1°	MATERIAL	DRAWN	DATE	TITLE	Amphenol RF www.amphenolrf.com
	SEE NOTES	KAVI S	31-Jan-19	SMP STR JACK SMOOTH BORE EDGE MOUNT	
NOTICE - These drawings, specifications, or other data (1) are, and remain the property of Amphenol corp. (2) must be returned upon request; and (3) are confidential and not to be disclosed to any person other than those to whom they are given by Amphenol Corp. the furnishing of these drawings, specifications, or other data by Amphenol Corp., or to any other person to anyone for any purpose is not to be regarded by implication or otherwise in any manner licensing, granting rights to permitting such holder or any other person to manufacture, use or sell any product, process or design, patented or otherwise, that may in any way be related to or disclosed by said drawings, specifications, or other data.	REFERENCE	ENGINEER	DATE	SCALE: 20.0:1.0 SHEET 2 OF 2	DRAWING NO. SMP-MSSB-PCE-4X
	EAR# 8533	KRISHNA S	31-Jan-19		ITEM NO. SMP-MSSB-PCE-4X
	REF: SMP-MSLD-PCE-5	APPROVED	K. CAPOZZI	DATE	
CONFIGURATION LEVEL: In Work	FINISH	CAD FILE	18-Jun-19	DWG SIZE B	REV A

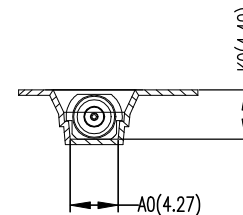
THIRD ANGLE PROJ.

REVISIONS

REV	DESCRIPTION	DATE	ECO	APPR
A	RELEASE TO MFG.	Oct-25-18'		Zoe
A1	ADDED THE P/N MP-MSLD-PCE-NM,SMP-NM1010,SMP-MSSB-PCE-4T	Jun-10-19'		Zoe



用户取件方向
User direction of feeding



SECTION A-A

TAPE&REEL示意图

NOTES:

- 10 sprocket holes pitch cumulative tolerance ± 0.20 mm.
- Carrier camber not to exceed 1 mm in 250 mm.
- A0 and B0 measured on a plane 0.3 mm above the bottom of the pocket.
- K0 measured from a plane on the inside bottom of the pocket to the top surface of the carrier.
- All dimensions meet EIA-481-D requirements.
- Material: Carrier TAPE, Black PS; REEL, Blue (RoHS Compliant)
- Thickness: 0.50 ± 0.05 mm.
- Packing length per 13" reel: 12.96 Meters.
- Component loader per 13" reel: 1000 pcs.

注:未注公差为 ± 0.10

NOTE: ALL TOLERANCES ARE: ± 0.10 , EXCEPT WHERE NOTED

ITEM	W	A0	B0	K0	K1	P1	F	E	D0	D1	P0	P2	T
DIM	24.00 ± 0.3	4.27 ± 0.1	4.70 ± 0.1	4.40 ± 0.1		12.00 ± 0.1	11.50 ± 0.1	1.75 ± 0.1	1.50 $^{+0.10}_{-0.00}$		4.00 ± 0.1	2.00 ± 0.1	0.50 ± 0.05

UNLESS OTHERWISE SPECIFIED, DIMENSIONS ARE IN METRIC AND TOLERANCES ARE:
0.5 - 6mm ± 0.1 mm 6 - 30mm ± 0.2 mm 30 - 120mm ± 0.3 mm ANGLES $\pm 1^\circ$

NOTICE - These drawings, specifications, or other data (1) are, and remain the property of Amphenol Corp. (2) must be returned upon request; and (3) are confidential and not to be disclosed to any person other than those to whom they are given by Amphenol Corp. The furnishing of these drawings, specifications, or other data by Amphenol Corp., or to any other person to anyone for any purpose is not to be regarded by implication or otherwise in any manner licensing, granting rights or permitting such holder or any other person to manufacture, use or sell any product, process or design, patented or otherwise, that may in any way be related to or disclosed by said drawings, specifications, or other data.

MATERIAL Black PS	DRAWN Zoe	DATE Jun-10-19'	TITLE TAPE&REEL	Amphenol RF Danbury, CT, USA Tainan, Taiwan Shenzhen, China www.amphenolrf.com	
REFERENCE	ENGINEER	DATE	DESCRIPTION SMP-MSLD-PCE-5T(13寸1K)TAPE	SCALE: 1/1	SHEET 1 OF 1
FINISH PART NO. 1208000024A	APPROVED	DATE	CAD FILE F:\DWG\PACKAGING\TAPE REEL\1208000024A	CODE ID 74868	DWG SIZE A1
			DRAWING NO. 1208000024A	REV A1	