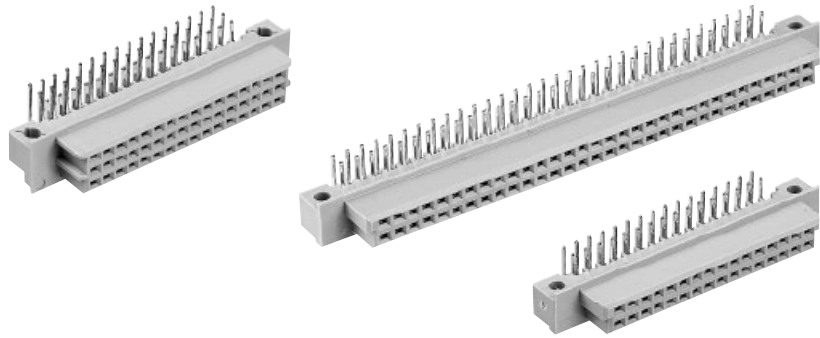


DIN 41 612 · Type Q – complementary types 2Q, 2R



Number of contacts

64, 48, 32



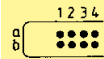
Female connectors

Identification Number of contacts Contact arrangement Part No.
Performance level 2 according to IEC 60 603-2. Explanation chapter 00

Female connector with angled solder pins

Type Q

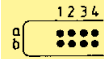
64



09 72 264 6801
09 72 464 6801^{b)}

Type 2Q

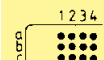
32



09 27 232 6801

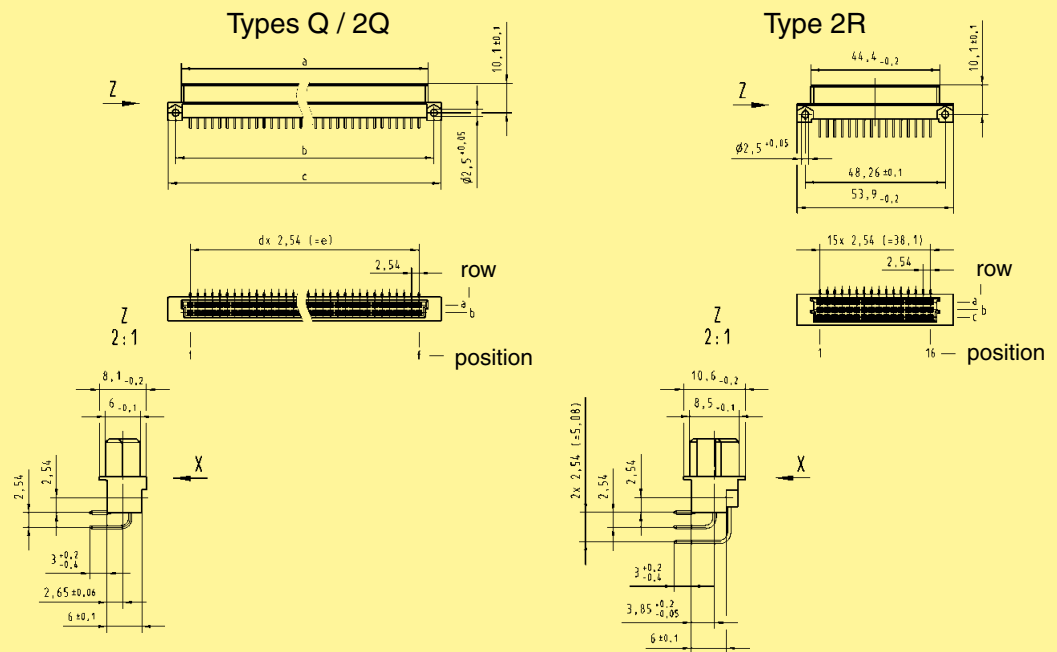
Type 2R

48



09 28 248 6801
09 28 448 6801^{b)}

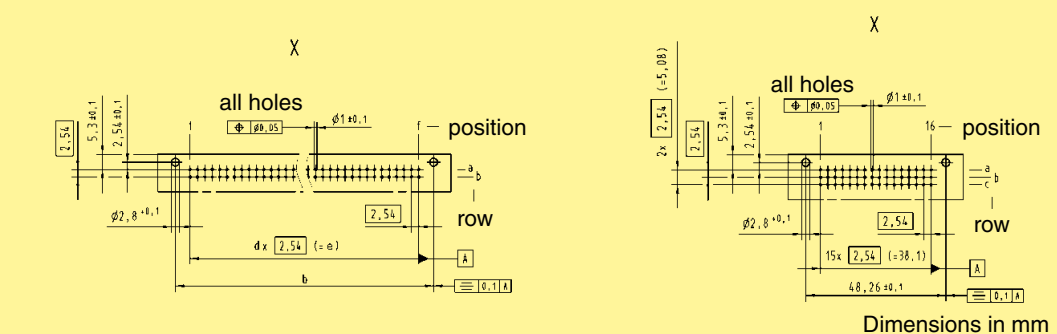
Dimensions



Type	a	b	c	d	e	f
Q	85.0 ^{-0.2}	88.90±0.1	94.0 ^{-0.2}	31	78.74	32
2Q	44.4 ^{-0.2}	48.26±0.1	53.9 ^{-0.2}	15	38.10	16

Board drillings

Mounting side



Dimensions in mm

Other contact arrangements on request

^{b)} Connectors with snap-in clips see chapter 00

DIN Signal up to 2 A

01
60