
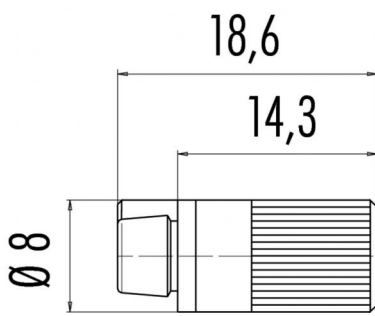



Product **Polzahl: 4, Kabeldose ohne Zugentlastung, max. Kabeldurchlass 3,6 mm**  
 Area **Snap-in IP40 Series 719**  
 Article number **09 9764 00 04**

Illustration	Scale drawing	Contact Arrangement															
		 <table border="1" style="margin-left: 20px;"> <thead> <tr> <th></th> <th>X</th> <th>Y</th> </tr> </thead> <tbody> <tr> <td>1</td> <td>-1,06</td> <td>-1,06</td> </tr> <tr> <td>2</td> <td>-1,06</td> <td>1,06</td> </tr> <tr> <td>3</td> <td>1,06</td> <td>1,06</td> </tr> <tr> <td>4</td> <td>1,06</td> <td>-1,06</td> </tr> </tbody> </table>		X	Y	1	-1,06	-1,06	2	-1,06	1,06	3	1,06	1,06	4	1,06	-1,06
	X	Y															
1	-1,06	-1,06															
2	-1,06	1,06															
3	1,06	1,06															
4	1,06	-1,06															

**You can find the item description on the next page.**

## Technical data

### Common values

Connector Design	Female cable connector
Connector locking system	Snap
Termination	Solder
Wire gauge (mm)	0.25 mm <sup>2</sup>
Wire gauge (AWG)	24
Cable outlet	max. 3.6 mm
Upper temperature	70 °C
Lower temperature	-25 °C

### Cable data

material housing	-
Insulation single lead	-
Single lead structure	-
Conductor resistance	-

### Electrical values

Rated voltage	60 V
Rated impulse voltage	800 V
Pollution degree	1
Overvoltage category	II
Material group	III
Rated current (40°C)	3 A
Volume resistivity	≤ 3 mΩ
EMV compliance	not shieldable
Degree of protection	IP40
Mechanical operation	> 100 mating cycles

### Material

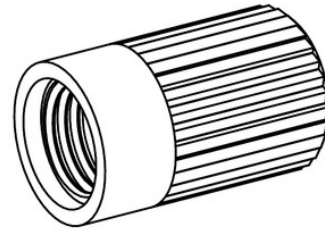
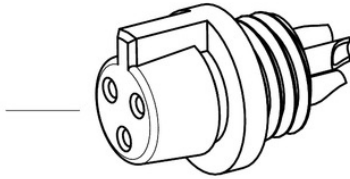
Material of contact	CuSn (Bronze)
Contact plating	Au (Gold)
Material of contact body	PA
Material of housing	PA

Product **Polzahl: 4, Kabeldose ohne Zugentlastung, max. Kabeldurchlass 3,6 mm**

Area **Snap-in IP40 Series 719**  
Article number **09 9764 00 04**

Item description

Buchseneinsatz  
*female insert*



Kupplungshülse  
*sleeve*

Steckereinsatz  
*male insert*

