

08099100 & 08099500 BATTERY DISCONNECT SWITCHES

250A/350A • SPST • IP65 • M10/M12 Studs



08099500 Description

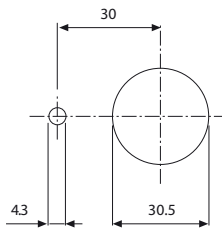
250A/350A Manual battery master switch with removable or fixed handle. Available with weather protective boots.

- 08099100** is interchangeable with IVECO 4822229
- 08099170** is interchangeable with IVECO 500362400
- 08099500** (change-over contact) is interchangeable with IVECO 99458665, supplementary contact 1A and high load supplementary contact 5A

Features/Benefits

- 250-350A continuous current rating
- With aluminum fixed handle or removable key
- Robust body in thermoplastic material
- Waterproof to IP65

Mounting Diagram



Specifications

Max Operating Voltage:	24V DC
Max Continuous Current:	250A & 350A
Intermittent Current:	2500A at 3 sec
Operating Temp:	-40 °C to +85 °C
Ingress Protection:	IP65
Contacts:	Silver-plated Copper
Terminals:	M10 (brass nuts) M12 (inox nuts)

Applications

- Heavy Truck
- Off-Road
- Emergency Vehicles
- Mining
- Agricultural
- Material Handling

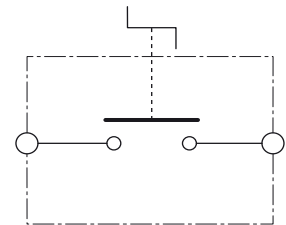
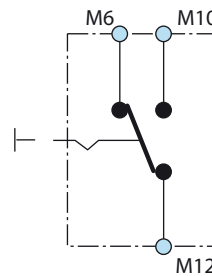
Web Resources

Download 2D print and technical resources at:
littelfuse.com/ManualBatterySwitches

Electrical Diagram

With supplementary contacts (08099500)

Standard contacts



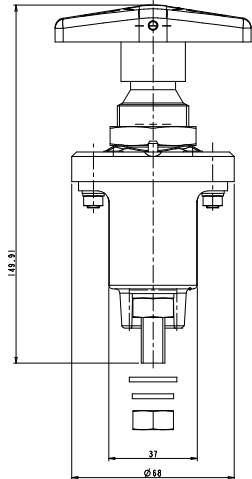
Ordering Information

PART NUMBER	VOLTAGE	AMPERAGE	CIRCUITRY	MOUNTING	INGRESS	TERMINAL NUTS	NOTES
08099100	12-24V DC	250A	SPST	Through-Hole	IP65	M10 Brass	Fixed handle
08098300	12-24V DC	250A	SPST	Through-Hole	IP65	M10 Brass	Removable key
08099170	12-24V DC	250A	SPST	Through-Hole	IP65	M10 Brass	Fixed handle
08099500	12-24V DC	250A	SPST	Through-Hole	IP65	M10 Brass	Fixed handle (change-over contact)
08099200	12-24V DC	350A	SPST	Through-Hole	IP65	M12 Inox	Fixed handle

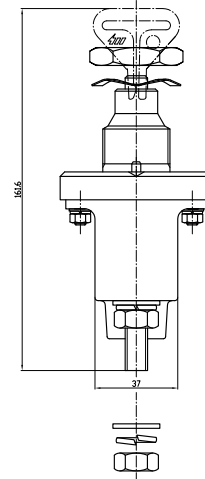
08099100 & 08099500 BATTERY DISCONNECT SWITCHES

Dimensions in millimeters

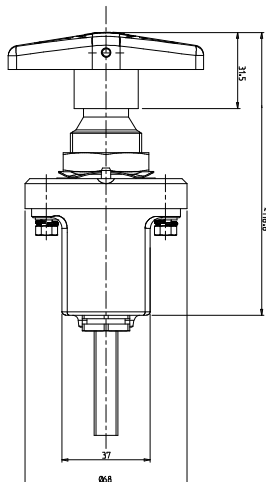
08099100



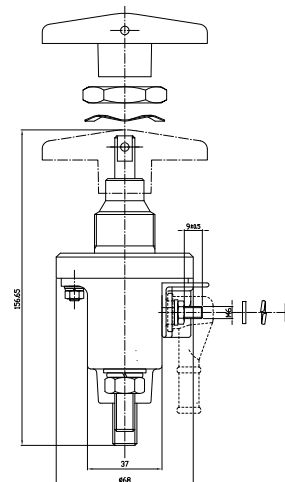
08098300



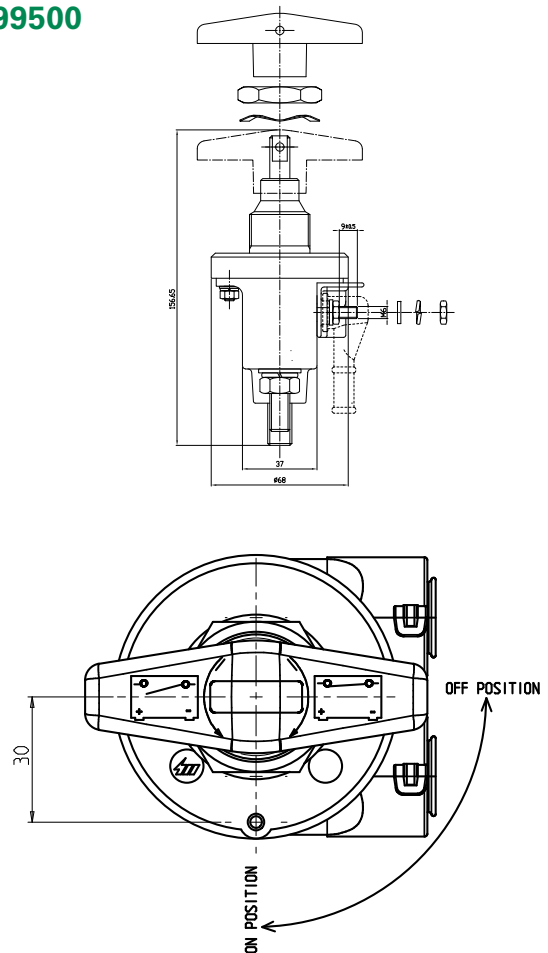
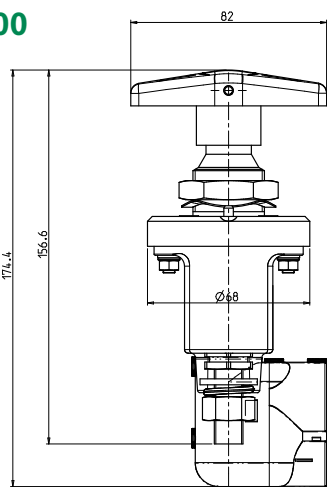
08099170



08099500



08099200



Visit Littelfuse.com for the most up-to-date product information. Littelfuse reserves the right to make product changes, without notice. Material in this document is as accurate as known at the time of publication.

Mouser Electronics

Authorized Distributor

Click to View Pricing, Inventory, Delivery & Lifecycle Information:

[Littelfuse:](#)

[08099100](#) [08099500](#) [08098300](#) [08099200](#) [08099170](#)