

08098700 & 08099080 BATTERY DISCONNECT SWITCHES

100-150A • SPST • UP4X/IP43 • M8-M10 Studs • Compact

08098700 M8
08098780 M10

08099000 M8
08099080 M10



Description

08098700 is Standard Compact Manual Battery Disconnect Switch that features a removable handle with a plastic body. Rated to 100A continuous current this switch is ideal for light-duty applications.

08099000 same 08098700 but with rubber cap included for protection while switch is removed from the socket.

08098780 is a newer design with bigger contacts (M10) and improved components for heavier 150A current loads in the same compact dimensions, which make it one of the more popular products for 12V applications. This Manual Battery Disconnect Switch features a removable handle with a plastic body.

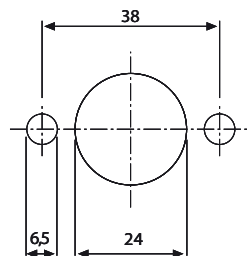
08099080 same 08098780 but with rubber cap included for protection while switch is removed from the socket.

Features/Benefits

- 100-150A continuous current rating
- Heavy Construction for up to 150A loads in compact design
- Highly visible bright red handle
- Weatherproof to IP43

Mounting Diagram

There are no functionality issues related to installation



Specifications

Max Operating Voltage:	24V DC
Max Continuous Current:	100A 150A
Intermittent Current:	500A at 5 sec 1000A at 5 sec
Operating Temp:	-40 °C to +85 °C
Ingress Protection:	IP4X IP43
Contacts:	Copper
Terminals:	M8 (zinc-plated steel nuts) M10 (zinc-plated steel and brass nuts)

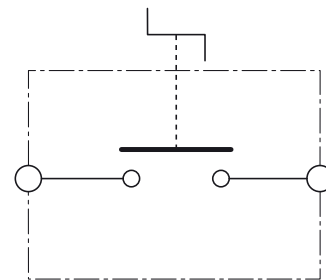
Applications

- Off-Road
- Marine
- Agricultural

Web Resources

Download technical resources at:
littelfuse.com/ManualBatterySwitches

Electrical Diagram



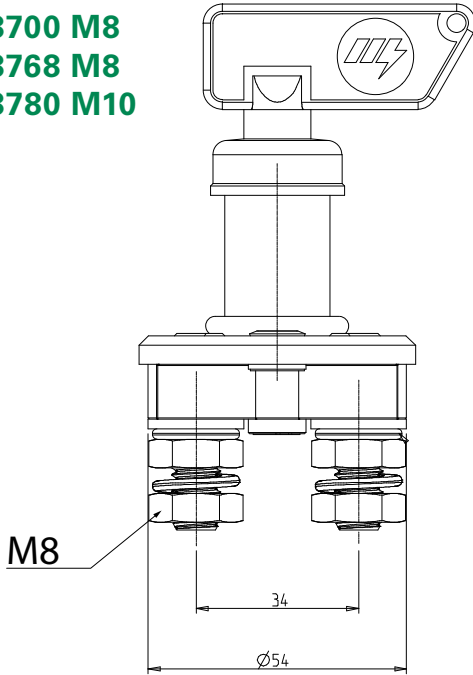
Ordering Information

PART NUMBER	VOLTAGE	AMPERAGE	CIRCUITRY	MOUNTING	INGRESS	TERMINAL NUTS	NOTES
08098700	12V-24V DC	100A	SPST	Flange Mount	IP4X	M8 Steel zinc-plated	
08098768	12V-24V DC	100A	SPST	Flange Mount	IP4X	M8 Steel zinc-plated	Threaded brass pads
08098780	12V-24V DC	150A	SPST	Flange Mount	IP4X	M10 Brass	
08099000	12V-24V DC	100A	SPST	Flange Mount	IP43	M8 Steel zinc-plated	Rubber protection cap
08099080	12V-24V DC	150A	SPST	Flange Mount	IP43	M10 Steel zinc-plated	Rubber protection cap

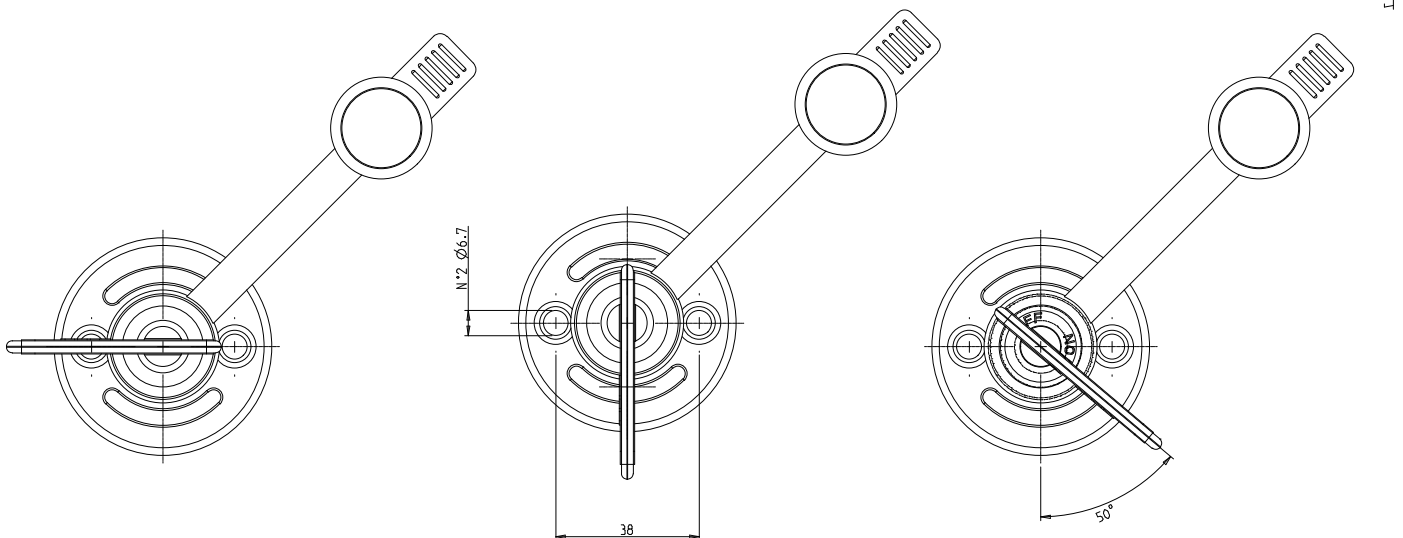
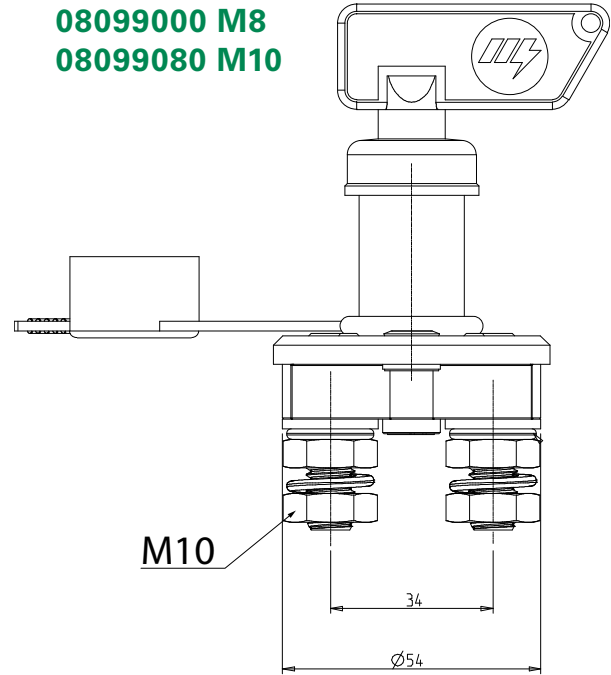
08098700 & 08099080 BATTERY DISCONNECT SWITCHES

Dimensions in millimeters

08098700 M8
08098768 M8
08098780 M10



08099000 M8
08099080 M10



Close contact

Open contact

Plugging in/Pull Out Key



Visit Littelfuse.com for the most up-to-date product information. Littelfuse reserves the right to make product changes, without notice. Material in this document is as accurate as known at the time of publication.

Mouser Electronics

Authorized Distributor

Click to View Pricing, Inventory, Delivery & Lifecycle Information:

[Littelfuse:](#)

[08098780](#) [08098700](#) [08099000](#) [08099000-WBG](#)