

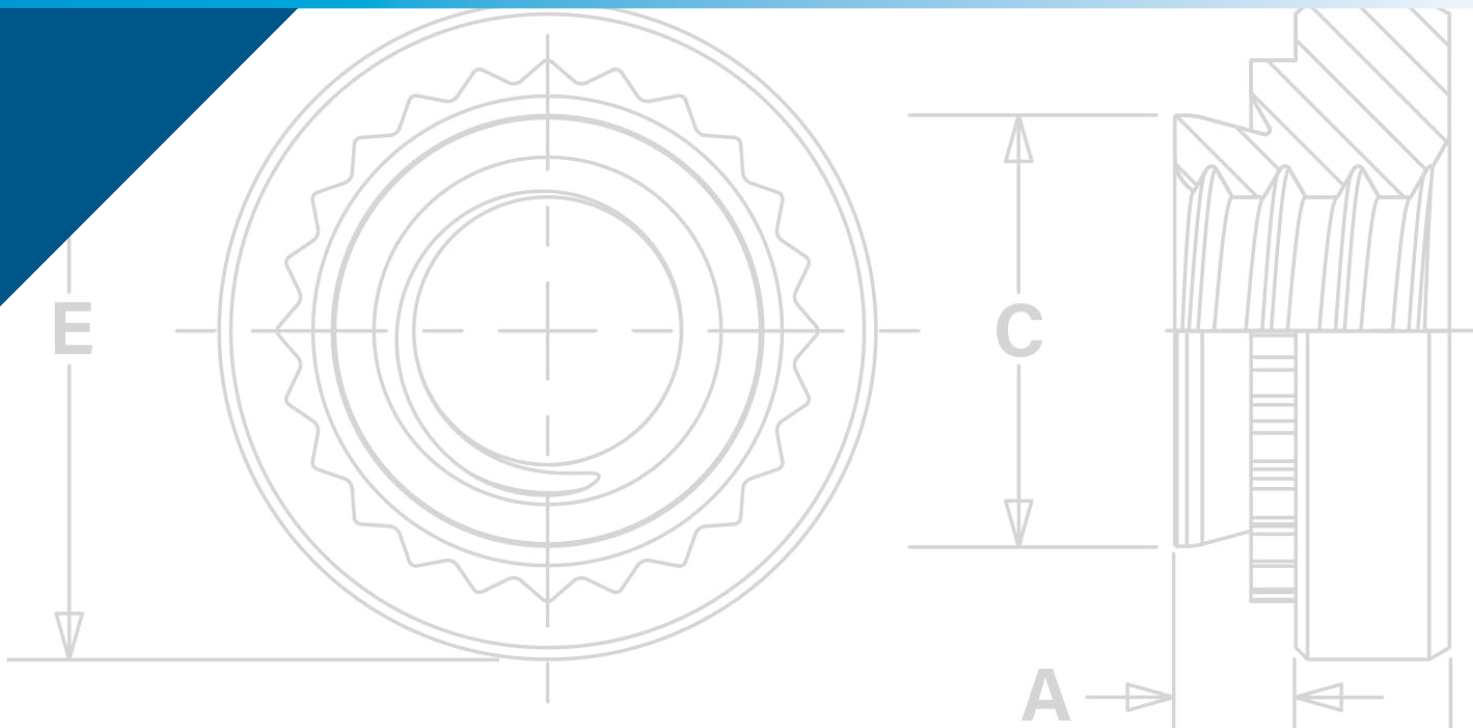


PEM® brand self-clinching nuts install permanently in aluminum, steel or stainless steel sheets.



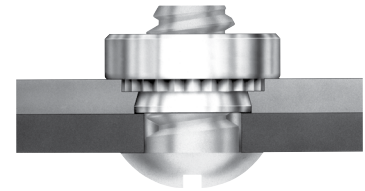
CLTM







**SELF-CLINCHING
NUTS**



SELF-CLINCHING NUTS

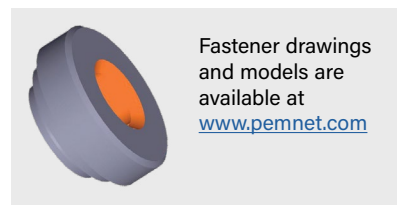
Self-clinching nuts are installed by placing them in properly sized holes in sheets and applying a parallel squeezing force to the head of the nut. The sheet metal surrounding the head cold flows into an undercut thereby making the fastener an integral part of the sheet. A serrated clinching ring prevents the fastener from rotating after installation.



<p>S™/SS™/CLA™/CLS™/CLSS™ nuts provide load-bearing threads in thin sheets with high pushout and torque-out resistance - PAGES 4 and 5</p>		<p>H™ (non-locking) and HNL™ (locking) nuts have threads that provide high pushout and torque-out resistance - PAGE 8</p>	
<p>SP™, PEM 300® nuts provide strong load-bearing threads in stainless steel sheets as thin as .030"/0.8 mm - PAGES 4 and 5</p>		<p>SH™ hard panel nuts install into thin, harder, high strength steel materials - PAGE 8</p>	
<p>PEM RT® free-running locknuts are free-running until clamp load is induced. A modified thread angle on the loaded flank provides the vibration resistant locking feature- PAGE 6</p>		<p>SMPS™/SMPP™ nuts are for thinner sheet/close-to-edge applications - PAGE 9</p>	
<p>Material and finish specifications - PAGE 9</p>			
<p>Installation - PAGES 10 and 13</p>			
<p>Performance data - PAGES 14 - 17</p>			

Many PEM self-clinching nuts in this bulletin are dimensionally equivalent to nuts manufactured to NASM45938/1 specifications. Consult our Marketing department for a complete Military Specifications and National Aerospace Standards guide (Bulletin NASM) on our website.

Screws for use with PEM self-clinching locking fasteners should be Class 3A/4h fit or no smaller than Class 2A/6g.



PEM® SELF-CLINCHING NUT SELECTOR GUIDE

PEM Nut Type	Application Requires:									
	Recommended panel material ⁽¹⁾	Thinnest sheet .025" / 0.64 mm	Locking Threads		Closest centerline-to-edge distance	Superior corrosion resistance	Recommended for installation into stainless steel sheets	Compatible with aluminum anodizing	Harder high strength steel material	Non-magnetic
			Free-running	Prevailing torque						
S/SS/H	steel / aluminum									
CLS/CLSS	steel / aluminum					▪				▪
CLA	aluminum					▪	▪			▪
SP	stainless steel					▪	▪			▪
PEM RT®	steel / aluminum		▪							
SL	steel / aluminum			▪						
HNL	aluminum			▪						
SH	hardened alloy steel							▪		
SMPS	steel / aluminum	▪			▪	▪				▪
SMPP	stainless steel	▪			▪	▪	▪			▪

(1) Describes "best practice" for typical applications. Fasteners can be used in other panel materials not listed here if specified hardness limits are met. In all cases "For Use in Sheet Hardness" information is shown in chart on page 9.

THREAD MASKING

PEM® PreTect™ thread masking solution provides protection for PEM® internally threaded fasteners. They reduce labor and protect threads from paint and powder coating processes. Fasteners are shipped with plugs and film (where applicable) already in place. [Click here](#) for more information.

Thread mask is available for applications where hardware is installed prior to painting. During assembly, the threads of the mating hardware will remove paint, electro deposited automotive under coatings, and weld spatter upon application of torque. PEM® nuts can be specially ordered with thread mask applied. [Click here](#) for more information.



Thread mask color may vary.

"BC" suffix will be added to part number to designate thread mask to fastener.

AVAILABLE PEM® VARIMOUNT® FASTENING SYSTEM

The PEM® VariMount® fastening system (see PEM® Bulletin VM) utilizes a self-clinching nut paired with a round steel or stainless steel base plate to offer a clean and ready-made assembly for mounting into any rigid material or panel, including composites, plastics, and metals. Multiple radial holes in the base plate and a generous footprint provide effective mounting of the assembly. Mounting can be performed either on the front or through the back of a panel.



SELF-CLINCHING NUTS

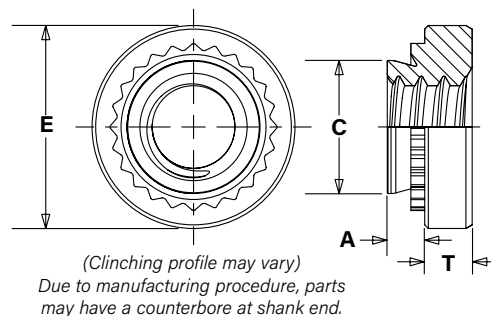
- S/SS nuts are recommended for use in steel or aluminum sheets HRB 80 / HB 150 or less.
- CLS/CLSS nuts are recommended for use in steel or aluminum sheets HRB 70 / HB 125 or less.
- SP nuts are recommended for use in stainless steel sheets HRB 90 / HB 192 or less.
- CLA nuts are recommended for use in steel or aluminum sheets HRB 50 / HB 82 or less.

PART NUMBER DESIGNATION

S	-	632	-	1	ZI
SS	-	032	-	1	ZI
CL	S	-	632	-	1
CLS	S	-	032	-	1
S	P	-	632	-	1
CL	A	-	632	-	1

↓
↓
↓
↓
↓

Type Material Code Thread Size Code Shank Code Finish



S™/SS™/CLS™/CLSS™/SP™ NUTS All dimensions are in inches.

Thread Size	Type			Thread Code	Shank Code	A (Shank) Max.	Rec. Min. Sheet Thickness (1)	Hole Size In Sheet +.003 -.000	C Max.	E ±.010	T ±.010	Min. Dist. Hole \varnothing To Edge
	Carbon Steel	Stainless Steel	Hardened Stainless Steel									
.086-56 (#2-56)	S	CLS	SP	256	0	.030	.030	.166	.165	.250	.070	.19
					1	.038	.040					
					2	.054	.056					
.099-48 (#3-48)	S	CLS	-	348	0	.030	.030	.166	.165	.250	.070	.19
					1	.038	.040					
					2	.054	.056					
.112-40 (#4-40)	S	CLS	SP	440	0	.030	.030	.166	.165	.250	.070	.19
					1	.038	.040					
					2	.054	.056					
					3 (2)	.087	.090					
.138-32 (#6-32)	S	CLS	SP	632	0	.030	.030	.1875	.187	.280	.070	.22
					1	.038	.040					
					2	.054	.056					
					3 (2)	.087	.090					
.164-32 (#8-32)	S	CLS	SP	832	0	.030	.030	.213	.212	.310	.090	.27
					1	.038	.040					
					2	.054	.056					
					3 (2)	.087	.090					
.190-24 (#10-24)	SS	CLSS	SP	024	0	.030	.030	.250	.249	.340	.090	.28
					1	.038	.040					
					2	.054	.056					
					3 (2)	.087	.090					
.190-32 (#10-32)	SS	CLSS	SP	032	0	.030	.030	.250	.249	.340	.090	.28
					1	.038	.040					
					2	.054	.056					
					3 (2)	.087	.090					
.216-24 (#12-24)	S	CLS	-	1224	1	.038	.040	.277	.276	.370	.130	.31
					2	.054	.056					
					3	.087	.090					
					0	.045	.047					
.250-20 (1/4-20)	S (3)	CLS	SP	0420	1	.054	.056	.344	.343	.440	.170	.34
					2	.087	.090					
					3 (2)	.120	.125					
					0	.054	.056					
.250-28 (1/4-28)	S	CLS	-	0428	1	.054	.056	.344	.343	.440	.170	.34
					2	.087	.090					
					3	.120	.125					
					0	.054	.056					
.313-18 (5/16-18)	S (3)	CLS	SP	0518	1	.054	.056	.413	.412	.500	.230	.38
					2	.087	.090					
					3 (2)	.120	.125					
					0	.054	.056					
.313-24 (5/16-24)	S	CLS	SP	0524	1	.054	.056	.413	.412	.500	.230	.38
					2	.087	.090					
					3 (2)	.120	.125					
					0	.054	.056					
.375-16 (3/8-16)	S	CLS	SP	0616	1	.087	.090	.500	.499	.560	.270	.44
					2	.120	.125					
					3 (2)	.235	.250					
					0	.087	.090					
.375-24 (3/8-24)	S	CLS	SP	0624	1	.087	.090	.500	.499	.560	.270	.44
					2	.120	.125					
					3 (2)	.235	.250					
					0	.087	.090					
.438-20 (7/16-20)	S	-	-	0720	1	.087	.092	.562	.561	.687	.311	.562
.500-13 (1/2-13)	S	CLS	-	0813	1	.120	.125	.656	.655	.810	.360	.63
					2	.235	.250					
.500-20 (1/2-20)	S	CLS	-	0820	1	.120	.125	.656	.655	.810	.360	.63
					2	.235	.250					

- For maximum performance, we recommend that you use the maximum shank length for your sheet thickness.
- This shank code not available for SP nuts.
- This thread size S nut, with a -2 shank code, can be installed successfully without the need to pre punch a mounting hole in a separate operation. See page 18 for more information.

The increased hardness of stainless steel panels requires careful consideration when installing self-clinching fasteners. See page 16 or refer to Fastener Installation [Dos and Don'ts](#) on our website.

SELF-CLINCHING NUTS

S™/SS™/CLS™/CLSS™/SP™ NUTS

(See drawing at top of page 4) All dimensions are in millimeters.

METRIC	Thread Size	Type			Thread Code	Shank Code	A (Shank) Max.	Rec. Min. Sheet Thickness (1)	Hole Size In Sheet +0.08	C Max.	E ±0.25	T ±0.25	Min. Dist. Hole To Edge
		Fastener Material											
		Carbon Steel	Stainless Steel	Hardened Stainless Steel									
M2 x 0.4	S	CLS	SP	M2	0 (2)	0.77	0.8	4.22	4.2	6.35	1.5	4.8	
					1	0.97	1						
					2	1.38	1.4						
M2.5 x 0.45	S	CLS	SP	M2.5	0	0.77	0.8	4.22	4.2	6.35	1.5	4.8	
					1	0.97	1						
					2	1.38	1.4						
M3 x 0.5	S	CLS	SP	M3	0	0.77	0.8	4.22	4.2	6.35	1.5	4.8	
					1	0.97	1						
					2	1.38	1.4						
M3.5 x 0.6	S	CLS	—	M3.5	0	0.77	0.8	4.75	4.73	7.11	1.5	5.6	
					1	0.97	1						
					2	1.38	1.4						
M4 x 0.7	S	CLS	SP	M4	0	0.77	0.8	5.41	5.38	7.87	2	6.9	
					1	0.97	1						
					2	1.38	1.4						
M5 x 0.8	SS	CLSS	SP	M5	0	0.77	0.8	6.35	6.33	8.64	2	7.1	
					1	0.97	1						
					2	1.38	1.4						
M6 x 1	S (3)	CLS	SP	M6	00 (2)	0.89	0.92	8.75	8.73	11.18	4.08	8.6	
					0 (2)	1.15	1.2						
					1	1.38	1.4						
					2	2.21	2.29						
M8 x 1.25	S (3)	CLS	SP	M8	1	1.38	1.4	10.5	10.47	12.7	5.47	9.7	
					2	2.21	2.29						
M10 x 1.5	S	CLS	SP	M10	1	2.21	2.29	14	13.97	17.35	7.48	13.5	
					2 (2)	3.05	3.18						
M12 x 1.75	S	—	—	M12	1	3.05	3.18	17	16.95	20.57	8.5	16	

CLA™ NUTS (See drawing at top of page 4) All dimensions are in inches.

UNIFIED	Thread Size	Type	Thread Code	Shank Code	A (Shank) Max.	Min. Sheet Thickness (1)	Hole Size In Sheet ±.003-.000	C Max.	E ±.010	T ±.010	Min. Dist. Hole To Edge
		Fastener Material									
		Aluminum									
.086-56 (#2-56)	CLA	256	1	.038	.040	.166	.165	.250	.070	.19	
			2	.054	.056						
.112-40 (#4-40)	CLA	440	1	.038	.040	.1875	.187	.250	.090	.22	
			2	.054	.056						
.138-32 (#6-32)	CLA	632	1	.038	.040	.213	.212	.280	.090	.27	
			2	.054	.056						
.164-32 (#8-32)	CLA	832	1	.038	.040	.234	.233	.310	.130	.28	
			2	.054	.056						
.190-24 (#10-24)	CLA	024	1	.038	.040	.296	.295	.370	.160	.31	
			2	.054	.056						
.190-32 (#10-32)	CLA	032	1	.038	.040	.296	.295	.370	.160	.31	
			2	.054	.056						
.250-20 (1/4-20)	CLA	0420	1	.054	.056	.344	.343	.440	.170	.34	
			2	.087	.091						
			3	.120	.125						

(See drawing at top of page 4) All dimensions are in millimeters.

METRIC	Thread Size x Pitch	Type	Thread Code	Shank Code	A (Shank) Max.	Min. Sheet Thickness (1)	Hole Size In Sheet +0.08	C Max.	E ±0.25	T ±0.25	Min. Dist. Hole To Edge
		Fastener Material									
		Aluminum									
M2 x 0.4	CLA	M2	1	0.98	1	4.22	4.2	6.35	1.5	4.8	
			2	1.38	1.4						
M3 x 0.5	CLA	M3	1	0.98	1	4.75	4.73	6.35	2	5.6	
			2	1.38	1.4						
M3.5 x 0.6	CLA	M3.5	1	0.98	1	5.41	5.38	7.11	2	6.9	
			2	1.38	1.4						
M4 x 0.7	CLA	M4	1	0.98	1	5.94	5.92	7.8	3	7.1	
			2	1.38	1.4						
M5 x 0.8	CLA	M5	1	0.98	1	7.52	7.49	9.4	3.8	7.9	
			2	1.38	1.4						
M6 x 1	CLA	M6	1	1.38	1.4	8.75	8.73	11.18	4.08	8.6	
			2	2.21	2.3						

- (1) For maximum performance, we recommend that you use the maximum shank length for your sheet thickness.
- (2) This shank code not available for SP nuts.
- (3) This thread size S nut, with a -2 shank code, can be installed successfully without the need to pre punch a mounting hole in a separate operation. See page 18 for more information.



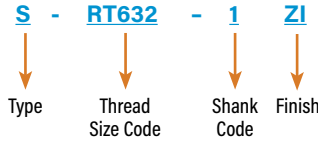
SELF-CLINCHING NUTS

PEM RT® FREE-RUNNING LOCKNUTS

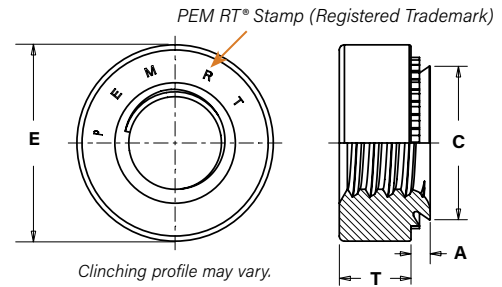
Free-running locking feature allows screw to turn freely until clamp load is applied. If the tightening force is removed, these nuts no longer provide any torsional resistance to rotation until clamp load is reapplied.

- Resistant to vibrational loosening.
- Back side of panel is flush or sub-flush for screw installation.
- Locking feature reusability is not affected by number of on/off cycles.
- Uses same mounting hole and installation tooling as standard S™ nuts.
- Recommended for use in steel or aluminum sheets HRB 80 / HB 150 or less.

PART NUMBER DESIGNATION



PEM RT® free-running locking feature can be added to other PEM® internally threaded nuts.



All dimensions are in inches.

UNIFIED	Thread Size	Type	Thread Code	Shank Code	A (Shank) Max.	Rec. Min. Sheet Thickness (t)	Hole Size In Sheet +.003 -.000	C Max.	E ±.010	T ±.010	Min. Dist Hole To Edge
	.112-40 (#4-40)	S	RT440	0	.030	.030	.166	.165	.250	.070	.19
			1	.038	.040						
			2	.054	.056						
.138-32 (#6-32)	S	RT632	0	.030	.030	.1875	.187	.280	.070	.22	
			1	.038	.040						
			2	.054	.056						
.164-32 (#8-32)	S	RT832	0	.030	.030	.213	.212	.310	.090	.27	
			1	.038	.040						
			2	.054	.056						
.190-32 (#10-32)	SS	RT032	0	.030	.030	.250	.249	.340	.090	.28	
			1	.038	.040						
			2	.054	.056						
.250-20 (1/4-20)	S	RT0420	0	.045	.047	.344	.343	.440	.170	.34	
			1	.054	.056						
			2	.087	.090						
.313-18 (5/16-18)	S	RT0518	1	.054	.056	.413	.412	.500	.230	.38	
			2	.087	.090						

All dimensions are in millimeters

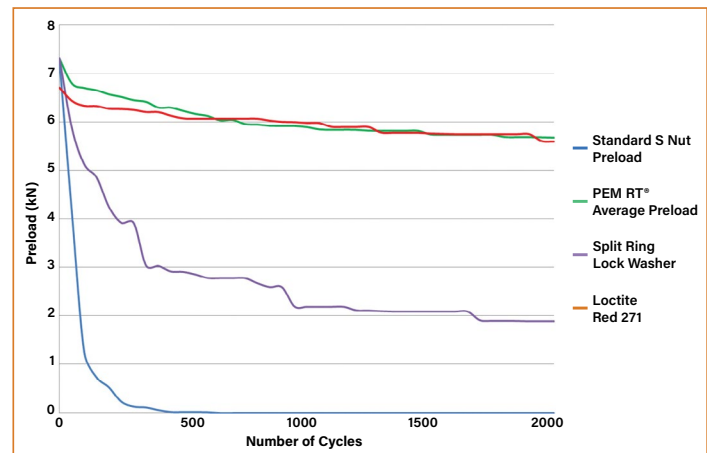
METRIC	Thread Size x Pitch	Type	Thread Code	Shank Code	A (Shank) Max.	Rec. Min. Sheet Thickness (t)	Hole Size In Sheet +0.08	C Max.	E ±0.25	T ±0.25	Min. Dist Hole To Edge
	M3 x 0.5	S	RTM3	0	0.77	0.8	4.22	4.2	6.35	1.5	4.8
			1	0.97	1						
			2	1.38	1.4						
M4 x 0.7	S	RTM4	0	0.77	0.8	5.41	5.38	7.87	2	6.9	
			1	0.97	1						
			2	1.38	1.4						
M5 x 0.8	SS	RTM5	0	0.77	0.8	6.35	6.33	8.64	2	7.1	
			1	0.97	1						
			2	1.38	1.4						
M6 x 1	S	RTM6	0	0.89	0.92	8.75	8.73	11.18	4.08	8.6	
			1	1.15	1.2						
			2	1.38	1.4						
M8 x 1.25	S	RTM8	1	1.38	1.4	10.5	10.47	12.7	5.47	9.7	
			2	2.21	2.29						

(1) For maximum performance, we recommend that you use the maximum shank length for your sheet thickness.

The graph represents the clamp load of the joint versus the amount of cycles during transverse vibration testing for an PEM RT® free-running locknut, a standard S nut, a split ring lock washer and Loctite Red 271.

Testing conditions:

- Transverse vibration testing.
- M6 thread size nuts, average of 30 pieces.
- Clamp load applied using metric property class 12.9 screws.
- Nuts tested until loss of clamp load or 2,000 cycles is reached.



Details on PEM RT® vibration resistant thread technology can be found on our web site at: https://www.pemnet.com/files/design_info/techsheets/RT_Thread_Form.pdf



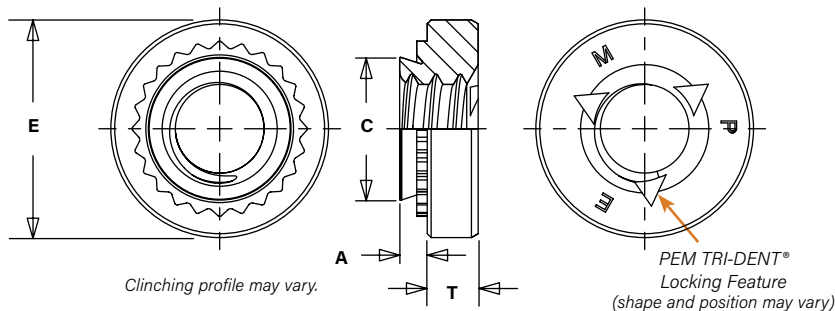
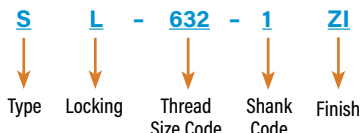
SELF-CLINCHING NUTS

SL™ TRI-DENT® PREVAILING TORQUE LOCKNUTS

Prevailing torque locking feature produces friction between threads of mated components thereby increasing the force needed to tighten as well as loosen the nut. Prevailing torque locknuts provide essentially the same torque value regardless of the amount axial load applied.

- 3 cycle locking performance. ⁽¹⁾
- Resistant to vibrational loosening.
- Back side of panel is flush or sub-flush for screw installation.
- Uses same mounting hole and installation tooling as standard S™ nuts.
- Recommended for use in sheets HRB 80 / HB 150 or less.

PART NUMBER DESIGNATION



All dimensions are in inches.

UNIFIED	Thread Size	Type	Thread Code	Shank Code	A (Shank) Max.	Min. Sheet Thickness	Hole Size In Sheet +.003 -.000	C Max.	E ±.010	T ±.010	Min. Dist. Hole \varnothing To Edge
	.112-.40 (#4-40)	SL	440	1	.038	.040	.166	.165	.250	.070	.19
.138-.32 (#6-32)	SL	632	1	.038	.040	.1875	.187	.280	.070	.22	
			2	.054	.056						
.164-.32 (#8-32)	SL	832	1	.038	.040	.213	.212	.310	.090	.27	
			2	.054	.056						
.190-.32 (#10-32)	SL	032	1	.038	.040	.250	.249	.340	.090	.28	
			2	.054	.056						
.250-.20 (1/4-20)	SL	0420	1	.054	.056	.344	.343	.440	.170	.34	
			2	.087	.091						
.313-.18 (5/16-18)	SL	0518	1	.054	.056	.413	.412	.500	.230	.38	
			2	.087	.091						

All dimensions are in millimeters.

METRIC	Thread Size x Pitch	Type	Thread Code	Shank Code	A (Shank) Max.	Min. Sheet Thickness	Hole Size In Sheet +0.08	C Max.	E ±0.25	T ±0.25	Min. Dist. Hole \varnothing To Edge
	M3 x 0.5	SL	M3	1	0.98	1	4.22	4.2	6.35	1.5	4.8
2				1.38	1.4						
M3.5 x 0.6	SL	M3.5	1	0.98	1	4.75	4.73	7.11	1.5	5.6	
			2	1.38	1.4						
M4 x 0.7	SL	M4	1	0.98	1	5.41	5.38	7.87	2	6.9	
			2	1.38	1.4						
M5 x 0.8	SL	M5	1	0.98	1	6.35	6.33	8.64	2	7.1	
			2	1.38	1.4						
M6 x 1	SL	M6	1	1.38	1.4	8.75	8.73	11.18	4.08	8.6	
			2	2.21	2.3						
M8 x 1.25	SL	M8	1	1.38	1.4	10.5	10.47	12.7	5.47	9.7	
			2	2.21	2.3						
M10 x 1.5	SL	M10	1	2.21	2.29	14	13.97	17.35	7.48	13.5	
			2	3.05	3.18						

(1) Achieved using steel socket head cap screws, 180 ksi / property class 12.9 with standard finish of thermal oxide and light oil.

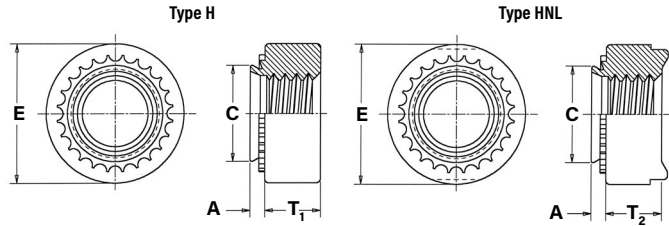
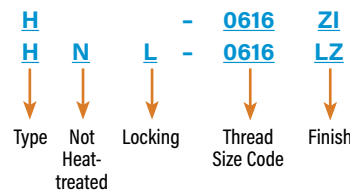


SELF-CLINCHING NUTS

H™ NUTS AND HNL™ PREVAILING TORQUE LOCKNUTS

- Meets prevailing torque requirements for IFI 100/107 Grade B (unified) and ANSI B18.16.1M (metric) locknuts.
- H nut is recommended for use in sheets HRB 80 / HB 150 or less.
- HNL nut is recommended for use in sheets HRB 60 / HB 107 or less.

PART NUMBER DESIGNATION



Clinching profile may vary.

All dimensions are in inches.

UNIFIED	Thread Size	Type		Thread Code	A (Shank) Max.	Min. Sheet Thickness	Hole Size In Sheet +.005 - .000	C Max.	E ±.010	T ₁	T ₂	Min. Dist. Hole \varnothing To Edge
		Non-Locking	Self-Locking (1)							Non-locking	Self-locking	
										±.005	±.010	
.250-20 (1/4-20)	—	HNL	0420	.058	.058	.344	.343	.500	.189		.380	
.313-18 (5/16-18)	—	HNL	0518	.058	.058	.413	.412	.575	.240		.420	
.375-16 (3/8-16)	H	HNL	0616	.058	.058	.500	.499	.650	.300		.480	

All dimensions are in millimeters.

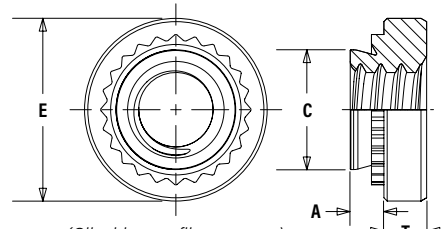
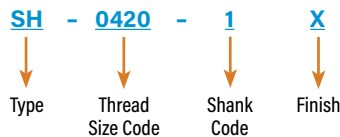
METRIC	Thread Size x Pitch	Type		Thread Code	A (Shank) Max.	Min. Sheet Thickness	Hole Size In Sheet +.013	C Max.	E ±0.25	T ₁	T ₂	Min. Dist. Hole \varnothing To Edge
		Non-Locking	Self-Locking (1)							Non-locking	Self-locking	
										±0.13	±0.25	
M6 x 1	—	HNL	M6	1.48	1.48	8.75	8.72	12.7	5		10	
M8 x 1.25	—	HNL	M8	1.48	1.48	10.5	10.47	14.6	6.3		11	
M10 x 1.5	H	HNL	M10	1.48	1.48	12.7	12.67	16.5	7.9		12	

(1) During installation, the projections on the heads of HNL self-locking nuts may be flattened. This is not detrimental in any way and will not affect self-locking or self-clinching performance.

SH™ HARD PANEL NUTS

- Installs into harder, high strength steel materials (high strength steel sheets up to 975MPa tensile strength).
- Hardened nut material provides stronger thread strength.

PART NUMBER DESIGNATION



(Clinching profile may vary)
Due to manufacturing procedure, parts may have a counterbore at shank end.

All dimensions are in inches.

UNIFIED	Thread Size	Type	Thread Code	Shank Code	A (Shank) Max.	Min. Sheet Thickness (1)	Hole Size in Sheet +.003 -.000	C Max.	E ±.010	T ±.010	Min. Dist. Hole \varnothing To Edge
		Fastener Material									
		Hardened Alloy Steel									
.250-20 (1/4-20)	SH	0420	1	.054	.056	.344	.343	.440	.170	.34	
			2	.087	.090						
.313-18 (5/16-18)	SH	0518	1	.054	.056	.413	.412	.500	.230	.38	
			2	.087	.090						
.375-16 (3/8-16)	SH	0616	1	.087	.090	.500	.499	.623	.270	.44	

All dimensions are in millimeters.

METRIC	Thread Size x Pitch	Type	Thread Code	Shank Code	A (Shank) Max.	Min. Sheet Thickness (1)	Hole Size in Sheet +.008	C Max.	E ±0.25	T ±0.25	Min. Dist. Hole \varnothing To Edge
		Fastener Material									
		Hardened Alloy Steel									
M6 x 1	SH	M6	1	1.38	1.4	8.75	8.73	11.8	4.08	8.6	
			2	2.21	2.29						
M8 x 1.25	SH	M8	1	1.38	1.4	10.5	10.47	12.7	5.47	9.7	
			2	2.21	2.29						
M10 x 1.5	SH	M10	1	2.21	2.29	14	13.97	17.35	7.48	13.5	

(1) For maximum performance, we recommend that you use the maximum shank length for your sheet thickness.



SELF-CLINCHING NUTS

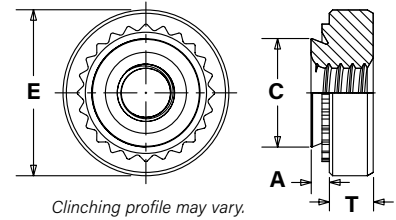
SMPS™/SMPP™ NUTS

- Installs into sheets as thin as .025" / 0.64 mm.
- Reduced outer dimensions and thinner sheet capabilities compared to Type S/SP thread sizes.
- SMPS nut is recommended for use in sheets HRB 70 / HB 125 or less.
- SMPP nut is recommended for use in stainless steel sheets HRB 90 / HB 192 or less.

PART NUMBER DESIGNATION

SMPS - 440
SMPP - 440

Type Thread Size Code



All dimensions are in inches.

UNIFIED	Thread Size	Type		Thread Code	A (Shank) Max.	Min. Sheet Thickness	Hole Size In Sheet +.003 -.000	C Max.	E ±.010	T ±.010	Min. Dist. Hole To Edge	
		Fastener Material									SMPS	SMPP
		Stainless Steel	Hardened Stainless Steel									
	.086-56 (#2-56)	SMPS	SMPP	256	.024	.025	.136	.135	.220	.065	.15	.16
	.112-40 (#4-40)	SMPS	SMPP	440	.024	.025	.166	.165	.220	.065	.17	.20
	.138-32 (#6-32)	SMPS	SMPP	632	.024	.025	.187	.186	.252	.065	.20	.22

All dimensions are in millimeters.

METRIC	Thread Size x Pitch	Type		Thread Code	A (Shank) Max.	Min. Sheet Thickness	Hole Size In Sheet +0.08	C Max.	E ±0.25	T ±0.25	Min. Dist. Hole To Edge	
		Fastener Material									SMPS	SMPP
		Stainless Steel	Hardened Stainless Steel									
	M2.5 x 0.45	SMPS	SMPP	M2.5	0.61	0.64	3.8	3.79	5.6	1.4	3.7	3.9
	M3 x 0.5	SMPS	SMPP	M3	0.61	0.64	4.24	4.22	5.6	1.4	4.3	5.1
	M3.5 x 0.6	SMPS	SMPP	M3.5	0.61	0.64	4.75	4.73	6.4	1.4	5.1	5.5

MATERIAL AND FINISH SPECIFICATIONS

Type	Threads			Fastener Materials						Standard Finishes			Optional Finish	For use in Sheet Hardness (8)						
	Internal ASME B1.1 ZB/ASME B1.13M, 6H	Meets Torque Requirements for IFI 100/107 Grade B (unified) and ANSI B18.16.1M (metric) Locknuts	3 Cycle Locking Performance	Hardened Carbon Steel	300 Series Stainless Steel	Aluminum	Carbon Steel	Hardened Alloy Steel	Age Hardened A286 Stainless Steel	Passivated and/or Tested per ASTM A380	Zinc Plated, per ASTM B633, SC1 (5µm), Colorless (4)	Zinc Plated per ASTM B633, SC1 (5µm), Type III, Colorless Plus Sealant/Lubricant (4)	No Finish (3)	Zinc Plated per ASTM B633, SC1 (5µm), Type II, Yellow (1) (4)	HRC 30/ HB 277 or less	HRB 90/ HB 192 or less	HRB 80/ HB 150 or less	HRB 70/ HB 125 or less	HRB 60/ HB 107 or less	HRB 50/ HB 82 or less
S	▪			▪							▪		▪							
SS	▪			▪							▪		▪							
CLS	▪				▪					▪								▪		
CLSS	▪				▪					▪								▪		
CLA	▪					▪							▪ (2)							▪
H	▪			▪							▪		▪							
SP	▪								▪						▪ (6)(7)					
PEM RT	▪ (9)			▪									▪							
SL	▪		▪	▪							▪									
HNL	▪	▪					▪					▪								▪
SH	▪							▪					▪ (5)		▪					
SMPS	▪				▪					▪									▪	
SMPP	▪							▪		▪					▪ (6)(7)					
Part number codes for finishes										None	ZI	LZ	X	ZC						

- Special order with additional charge.
- Part numbers for aluminum nuts have no plating suffix.
- Unplated threads are sized to accept a basic go gauge after .00025" / 0.0064 mm plating.
- See PEM® Technical Support section of our web site for related plating standards and specifications.
- With rust preventative oil.

- Panel material should be in the annealed condition.
- Fasteners should not be installed adjacent to bends or other highly cold-worked areas.
- HRB - Hardness Rockwell "B" Scale. HRC - Hardness Rockwell "C" Scale. HB - Hardness Brinell.
- Modified thread form on loaded flank. Will accept a maximum material 6g/2A screw.



SELF-CLINCHING NUTS

INSTALLATION

1. Prepare properly sized mounting hole in sheet. Do not perform any secondary operations such as deburring.
2. Place fastener into the anvil hole and place the mounting hole (preferably the punch side) over the shank of the fastener.
3. With installation punch and anvil surfaces parallel, apply squeezing force until the head of the nut comes into contact with the sheet material.

Installation Tooling ⁽¹⁾

CLS™/CLSS™/S™/SS™/PEM RT® NUTS

UNIFIED	Thread Code	HAEGER® Part Number		PEMSERTER® Part Number		Anvil Dimensions (in.)	
		Anvil	Punch	Anvil	Punch	A ±.002	P ±.005
	256/440/RT440	H-101-2-4/M3L	H-108-0020L	975200034	975200048	.267	.045
632/RT632	H-101-6/M3.5L	H-108-0020L	975200035	975200048	.298	.045	
832/RT832	H-101-8/M4L	H-108-0020L	975200036	975200048	.330	.070	
024/032/RT032	H-101-10-M5L	H-108-0020L	975200037	975200048	.361	.070	
1224	—	—	975200786300	975200048	.415	.080	
0420/RT0420	H-101-04/M6L	H-108-0020L	975200038	975200048	.454	.150	
0518/RT0518	H-101-05/M8L	H-108-0020L	975200039	975200048	.517	.200	
0616	H-101-06L	H-108-0020L	975200045 ⁽¹⁾	975200048	.280	.250	
0720	—	—	8020361 ⁽¹⁾	975200901400	.338	.295	
0813	10-00305	H-108-0020L	975200900300 ⁽¹⁾	975200901400	.375	.345	

METRIC	Thread Code	HAEGER® Part Number		PEMSERTER® Part Number		Anvil Dimensions (mm)	
		Anvil	Punch	Anvil	Punch	A ±0.05	P ±0.13
	M2/M3/RTM3	H-101-2-4/M3L	H-108-0020L	975200034	975200048	6.78	1.14
M3.5	H-101-6/M3.5L	H-108-0020L	975200035	975200048	7.57	1.14	
M4/RTM4	H-101-8/M4L	H-108-0020L	975200036	975200048	8.38	1.78	
M5/RTM5	H-101-10-M5L	H-108-0020L	975200037	975200048	9.17	1.78	
M6/RTM6	H-101-04/M6L	H-108-0020L	975200038	975200048	11.53	3.81	
M8/RTM8	H-101-05/M8L	H-108-0020L	975200039	975200048	13.08	5.08	
M10	10-00301	H-108-0020L	8005682 ⁽¹⁾	975200901400	7.62	6.35	
M12	10-00305	H-108-0020L	975200900300 ⁽¹⁾	975200901400	9.53	8.76	

CLA™ NUTS

UNIFIED	Thread Code	HAEGER® Part Number		PEMSERTER® Part Number		Anvil Dimensions (in.)	
		Anvil	Punch	Anvil	Punch	A ±.002	P ±.005
	256	10-00278	H-108-0020L	975200034	975200048	.267	.045
440	10-00279	H-108-0020L	975200034	975200048	.267	.045	
632	10-00280	H-108-0020L	975200035	975200048	.298	.045	
832	10-00281	H-108-0020L	975200036	975200048	.330	.070	
024	—	H-108-0020L	975200782300	975200048	.392	.140	
032	10-00282	H-108-0020L	975200782300	975200048	.392	.140	
0420	10-00283	H-108-0020L	975200038	975200048	.454	.150	

METRIC	Thread Code	HAEGER® Part Number		PEMSERTER® Part Number		Anvil Dimensions (mm)	
		Anvil	Punch	Anvil	Punch	A ±0.05	P ±0.13
	M3	10-00293	H-108-0020L	975200034	975200048	6.78	1.14
M3.5	10-00294	H-108-0020L	975200035	975200048	7.57	1.14	
M4	10-00295	H-108-0020L	975200036	975200048	8.38	1.78	
M5	10-00296	H-108-0020L	975200782300	975200048	9.96	3.56	
M6	10-00297	H-108-0020L	975200038	975200048	11.53	3.81	

SMPS™ NUTS

UNIFIED	Thread Code	HAEGER® Part Number		PEMSERTER® Part Number		Anvil Dimensions (in.)	
		Anvil	Punch	Anvil	Punch	A ±.002	P ±.005
	256	10-00278	H-108-0020L	975200904300	975200048	.236	.045
440	10-00279	H-108-0020L	975200904300	975200048	.236	.045	
632	H-101-2-4/M3L	H-108-0020L	975200034	975200048	.267	.045	

METRIC	Thread Code	HAEGER® Part Number		PEMSERTER® Part Number		Anvil Dimensions (mm)	
		Anvil	Punch	Anvil	Punch	A ±0.05	P ±0.13
	M2.5	10-00292	H-108-0020L	975200904300	975200048	5.99	1.14
M3	10-00293	H-108-0020L	975200904300	975200048	5.99	1.14	
M3.5	H-101-2-4/M3L	H-108-0020L	975200034	975200048	6.78	1.14	

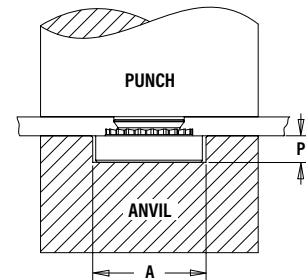
Installation Notes

- For best results we recommend using a HAEGER® or PEMSERTER® machine for installation of PEM® self-clinching fasteners. See our [website](#) for more information.
- Visit the [Animation Library](#) on our website to view the installation process.

(1) Large nut anvils use protrusion to locate part instead of counterbore.

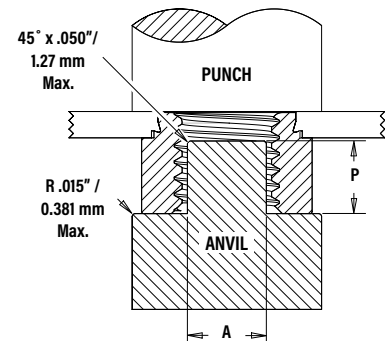
COUNTERBORE ANVIL

Thread Sizes #2-56 to 5/16 and M2 to M8



PROTRUSION ANVIL ⁽¹⁾

CLS/S/SL/S-RT Thread Sizes 3/8, 7/16, 1/2, M10 and M12
H/HNL Thread Sizes 5/16, 3/8, M8 and M10



SELF-CLINCHING NUTS

SL™ NUTS

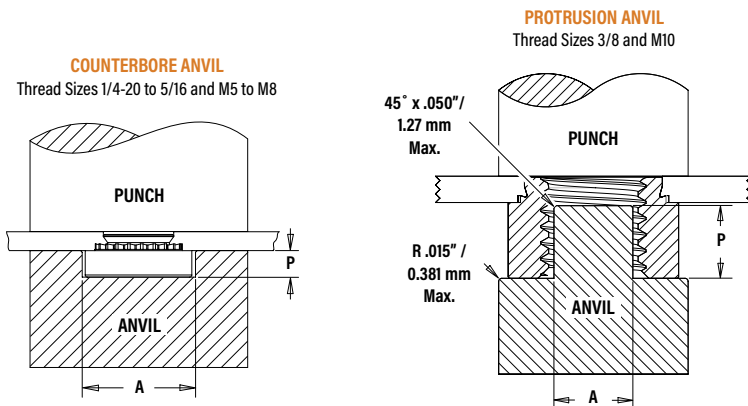
UNIFIED	Thread Code	HAEGER® Part Number		PEMSERTER® Part Number		Anvil Dimensions (in.)	
		Anvil	Punch	Anvil	Punch	A ±.002	P ± .005
	440	H-101-2-4/M3L	H-108-0020L	975200034	975200048	.267	.045
	632	H-101-6/M3.5L	H-108-0020L	975200035	975200048	.298	.045
	832	H-101-8/M4L	H-108-0020L	975200036	975200048	.330	.070
	032	H-101-10-M5L	H-108-0020L	975200037	975200048	.361	.070
	0420	H-101-04/M6L	H-108-0020L	975200038	975200048	.454	.150
	0518	H-101-05/M8L	H-108-0020L	975200039	975200048	.515	.200

METRIC	Thread Code	HAEGER® Part Number		PEMSERTER® Part Number		Anvil Dimensions (mm)	
		Anvil	Punch	Anvil	Punch	A ±0.05	P ±0.13
	M3	H-101-2-4/M3L	H-108-0020L	975200034	975200048	6.78	1.14
	M3.5	H-101-6/M3.5L	H-108-0020L	975200035	975200048	7.57	1.14
	M4	H-101-8/M4L	H-108-0020L	975200036	975200048	8.38	1.78
	M5	H-101-10-M5L	H-108-0020L	975200037	975200048	9.17	1.78
	M6	H-101-04/M6L	H-108-0020L	975200038	975200048	11.53	3.81
	M8	H-101-05/M8L	H-108-0020L	975200039	975200048	13.08	5.08
	M10	10-00301	H-108-0020L	8005682 ⁽¹⁾	975200901400	762	6.35

HT™/HNL™ NUTS

UNIFIED	Thread Code	HAEGER® Part Number		PEMSERTER® Part Number		Anvil Dimensions (in.)	
		Anvil	Punch	Anvil	Punch	A ±.002	P ±.005
	0420	10-00283	H-108-0020L	975200039	975200048	.517	.200
	0518	10-00284	H-108-0020L	975200783300 ⁽¹⁾	975200048	.220	.250
	0616	10-00303	H-108-0020L	975201240 ⁽¹⁾	8003076	.280	.250

METRIC	Thread Code	HAEGER® Part Number		PEMSERTER® Part Number		Anvil Dimensions (mm)	
		Anvil	Punch	Anvil	Punch	A ±0.05	P ±0.13
	M6	10-00297	H-108-0020L	975200039	975200048	13.13	5.08
	M8	10-00298	H-108-0020L	975200783300 ⁽¹⁾	975200048	5.59	6.35
	M10	10-00301	H-108-0020L	8005682 ⁽¹⁾	8003076	762	6.35



SH™ NUTS

UNIFIED	Thread Code	HAEGER® Part Number		PEMSERTER® Part Number		Anvil Dimensions (in.)	
		Anvil	Punch	Anvil	Punch	A ±.002	P ± .005
	0420	H-101-04/M6L	H-108-0020L	975200038	975200048	.454	.150
	0518	H-101-05/M8L	H-108-0020L	975200039	975200048	.517	.200
	0616	10-00303	H-108-0020L	8020084 ⁽¹⁾	975200901400	.280	.250

METRIC	Thread Code	HAEGER® Part Number		PEMSERTER® Part Number		Anvil Dimensions (mm)	
		Anvil	Punch	Anvil	Punch	A ±0.05	P ±0.13
	M6	H-101-04/M6L	H-108-0020L	975200038	975200048	11.53	3.81
	M8	H-101-05/M8L	H-108-0020L	975200039	975200048	13.13	5.08
	M10	10-00301	H-108-0020L	8005682 ⁽¹⁾	8003076	762	6.35

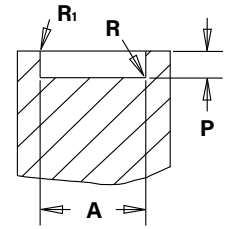
(1) Large nut anvils use protrusion to locate part instead of counterbore.

SELF-CLINCHING NUTS

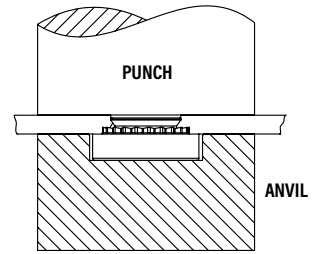
SP™ NUTS

UNIFIED	Thread Code	HAEGER® Part Number		PEMSERTER® Part Number		Anvil Dimensions (in.)			
		Lower Tool	Upper Tool	Anvil	Punch	A ±.002	P +.000 -.001	R Max.	Ri +.005
	440	H-183-4M3L	H-108-0020L	8012821	975200048	.255	.064	.010	.005
632	H-183-6M3.5L	H-108-0020L	8012822	975200048	.286	.064	.010	.005	
832	H-183-8M4L	H-108-0020L	8012823	975200048	.317	.082	.010	.005	
024/032	H-183-10M5L	H-108-0020L	8012824	975200048	.348	.082	.010	.005	
0420	H-183-04M6L	H-108-0020L	8012825	8003076	.443	.163	.010	.005	
0518	—	—	8015359	8003076	.505	.230	.010	.005	
0616/0624	—	—	8015863	8003076	.570	.263	.010	.005	

RECOMMENDED
COUNTERBORE ANVIL



METRIC	Thread Code	HAEGER® Part Number		PEMSERTER® Part Number		Anvil Dimensions (mm)			
		Lower Tool	Upper Tool	Anvil	Punch	A ±0.05	P -0.03	R Max.	Ri +0.13
	M2	H-183-4M3L	H-108-0020L	8012821	975200048	6.48	1.63	0.25	0.13
M2.5-0	H-183-4M3L	H-108-0020L	8019477	975200048	6.48	1.42	0.25	0.13	
M2.5-1,-2	H-183-4M3L	H-108-0020L	8012821	975200048	6.48	1.63	0.25	0.13	
M3	H-183-4M3L	H-108-0020L	8012821	975200048	6.48	1.63	0.25	0.13	
M3.5	H-183-6M3.5L	H-108-0020L	8012822	975200048	7.26	1.63	0.25	0.13	
M4	H-183-8M4L	H-108-0020L	8012823	975200048	8.05	2.08	0.25	0.13	
M5	H-183-10M5L	H-108-0020L	8012824	975200048	8.84	2.08	0.25	0.13	
M6	H-183-04M6L	H-108-0020L	8012825	8003076	11.25	4.14	0.25	0.13	
M8	—	—	8015360	8003076	12.83	5.41	0.25	0.13	
M10	—	—	8015886	8003076	17.58	7.47	0.25	0.13	



SMPP™ NUTS

UNIFIED	Thread Code	HAEGER® Part Number		PEMSERTER® Part Number		Anvil Dimensions (in.)			
		Lower Tool	Upper Tool	Anvil	Punch	A ±.002	P +.000 -.001	R Max.	Ri +.005
	256	10-00278	H-108-0020L	8020023	975200048	.223	.060	.010	.005
440	10-00279	H-108-0020L	8021386	975200048	.233	.060	.010	.005	
632	10-00280	H-108-0020L	8020024	975200048	.255	.060	.010	.005	

METRIC	Thread Code	HAEGER® Part Number		PEMSERTER® Part Number		Anvil Dimensions (mm)			
		Lower Tool	Upper Tool	Anvil	Punch	A ±0.05	P -0.03	R Max.	Ri +0.13
	M2.5	10-00292	H-108-0020L	8020025	975200048	5.66	1.27	0.25	0.13
M3	10-00293	H-108-0020L	8021474	975200048	5.9	1.27	0.25	0.13	
M3.5	10-00294	H-108-0020L	8020026	975200048	6.48	1.27	0.25	0.13	

(1) For best results, we recommend using the recommended installation punch and anvil. Deviations from recommended installation tooling may result in sheet distortion and reduced performance.

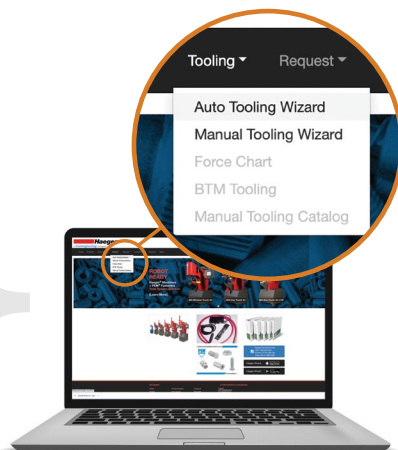
NOTE: Variations in hole preparation, installation tooling, installation force, and sheet material type, thickness, and hardness will affect both performance and tooling life.

For Additional HAEGER® and PEMSERTER® Tooling Information / Part Numbers

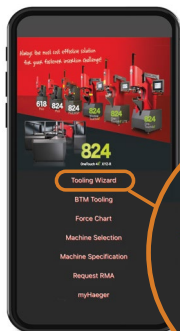


HAEGER® MANUAL TOOLING CATALOG

HAEGER® AUTO TOOLING CATALOG



Go to haeger.com to access the Auto and Manual Tooling Wizards



Or download the HAEGER WIZZARD Phone App

OneTouch 4e XYZ-R
Tooling Wizard
BTM Tooling



PEMSERTER® MANUAL TOOLING CATALOG

PEMSERTER® AUTO TOOLING CATALOG

SELF-CLINCHING NUTS

PERFORMANCE DATA⁽¹⁾

Axial Strength and Mating Screw Recommended Tightening Torque data is available at: www.pemnet.com/design_info/tightening-torque/

S™/CLS™/CLSS™ NUTS

Type	Thread Code	Shank Code	Test Sheet Material ⁽²⁾	Installation (lbs.)	Pushout (lbs.)		Torque-out (in. lbs.)	
S CLS	256 348 440	0	5052-H34 Aluminum	1500-2000	63	8		
					90	10		
					170	13		
					170	13		
		1	Cold-rolled Steel	2500-3500	105	13		
					125	15		
					230	18		
					230	18		
S CLS	632	0	5052-H34 Aluminum	2500-3000	63	16		
					95	17		
					190	22		
					190	22		
		1	Cold-rolled Steel	3000-6000	110	16		
					130	20		
					275	28		
					275	28		
S CLS	832	0	5052-H34 Aluminum	2500-3000	68	21		
					105	23		
					220	35		
					220	35		
		1	Cold-rolled Steel	4000-6000	110	26		
					145	35		
					285	45		
					285	45		
SS CLSS	024 032	0	5052-H34 Aluminum	2500-3500	68	26		
					110	32		
					190	50		
					225	50		
		1	Cold-rolled Steel	4000-9000	120	32		
					180	40		
					320	60		
					320	60		
S CLS	1224	1	5052-H34 Aluminum	2500-6500	120	63		
					285	70		
					285	70		
					200	74		
		2	Cold-rolled Steel	5000-6500	350	80		
					350	80		
					350	80		
					350	80		
S CLS	0420	0	5052-H34 Aluminum	4000-7000	220	70		
						90		
					360	125		
					315	115		
		1	Cold-rolled Steel	6000-8000	400	150		
S CLS	0518 0524	1	5052-H34 Aluminum	4000-7000	380	120		
						160		
						165		
						180		
		2	Cold-rolled Steel	6000-8000	420	180		
S CLS	0616 0624	1	5052-H34 Aluminum	5000-8000	400	270		
		2	Cold-rolled Steel	7000-11000	460	320		
S	0720	1	Cold-rolled Steel	9000-13000	450	340		
S CLS	0813 0820	1	5052-H34 Aluminum	7000-9000	475	350		
		2	Cold-rolled Steel	10000-15000	1050	735		

Type	Thread Code	Shank Code	Test Sheet Material ⁽²⁾	Installation (kN)	Pushout (N)		Torque-out (N-m)	
S CLS	M2 M2.5 M3	0	5052-H34 Aluminum	6.7-8.9	280	0.9		
					400	1.13		
					750	1.47		
		1	Cold-rolled Steel	11.2-15.6	470	1.47		
					550	1.7		
					1010	2.03		
S CLS	M3.5	0	5052-H34 Aluminum	11.2-13.5	280	1.8		
					400	1.92		
					840	2.5		
		1	Cold-rolled Steel	13.4-26.7	480	1.8		
					570	2.3		
					1210	2.3		
S CLS	M4	0	5052-H34 Aluminum	11.2-13.4	300	2.37		
					470	2.6		
					970	4		
		1	Cold-rolled Steel	18-27	490	2.95		
					645	4		
					1250	5.1		
SS CLSS	M5	0	5052-H34 Aluminum	11.2-15.6	300	3		
					480	3.6		
					845	5.7		
		1	Cold-rolled Steel	18-38	530	3.6		
					800	4.5		
					1420	6.8		
S CLS	M6	00	5052-H34 Aluminum	18-32	750	6.5		
					970	7.9		
					1580	10.2		
					900	10		
					1380	13		
					1760	17		
		1	Cold-rolled Steel	27-36	900	10		
					1380	13		
					1760	17		
					1570	13.6		
					1870	18.1		
					1870	20.3		
S CLS	M8	1	5052-H34 Aluminum	18-32	1570	13.6		
					1870	18.1		
		2	Cold-rolled Steel	27-36	1870	18.7		
					2030	20.3		
S CLS	M10	1	5052-H34 Aluminum	22-36	1760	32.7		
					2020	36.2		
		2	Cold-rolled Steel	32-50	2020	36.2		
					2020	36.2		
S	M12	1	5052-H34 Aluminum	31-40	2113	39.5		
		1	Cold-rolled Steel	44-67	4670	83.1		

CLA™ NUTS

Type	Thread Code	Shank Code	Test Sheet Material	Installation (lbs.)	Pushout (lbs.)	Torque-out (in. lbs.)	
UNIFIED	CLA	440	1	5052-H34 Aluminum	800 - 1500	100	6
			2	5052-H34 Aluminum	800 - 1500	120	9
	CLA	632	1	5052-H34 Aluminum	1000 - 1500	110	21
			2	5052-H34 Aluminum	1200 - 1700	155	24
	CLA	832	1	5052-H34 Aluminum	1000 - 1500	120	27
			2	5052-H34 Aluminum	1300 - 1800	170	29
CLA	032	1	5052-H34 Aluminum	1700 - 2200	130	34	
		2	5052-H34 Aluminum	2600 - 3100	200	50	

Type	Thread Code	Shank Code	Test Sheet Material	Installation (kN)	Pushout (N)	Torque-out (N-m)	
METRIC	CLA	M2	2	5052-H34 Aluminum	3.56 - 6.67	500	0.4
			1	5052-H34 Aluminum	3.56 - 6.67	445	0.68
	CLA	M3	2	5052-H34 Aluminum	3.56 - 6.67	534	1.02
			1	5052-H34 Aluminum	4.45 - 6.67	534	3.05
	CLA	M4	2	5052-H34 Aluminum	5.78 - 8.01	756	3.27
			1	5052-H34 Aluminum	5.78 - 8.01	756	3.27

(1) Published installation forces are for general reference. Actual set-up and confirmation of complete installation should be made by observing proper seating of fastener as described in the installation steps. Other performance values reported are averages when all proper installation parameters and procedures are followed. Variations in mounting hole size, sheet material, and installation procedure may affect performance. Performance testing this product in your application is recommended. We will be happy to provide technical assistance and/or samples for this purpose.

(2) See [tech sheet](#) on our website for performance data of PEM® Type S™ nuts installed into copper sheets.



SELF-CLINCHING NUTS

PERFORMANCE DATA

Axial Strength and Mating Screw Recommended Tightening Torque data is available at:
www.pemnet.com/design_info/tightening-torque/

PEM RT® NUTS

Type	Thread Code	Shank Code	Test Sheet Material	Installation (lbs.)	Pushout (lbs.)	Torque-out (in. lbs.)
S	RT440	0	5052-H34 Aluminum	1500-2000	63	8
		1			90	10
		2			170	13
		0	Cold-rolled Steel		105	13
		1			125	15
		2			230	18
S	RT632	0	5052-H34 Aluminum	2500-3000	63	16
		1			95	17
		2			190	22
		0	Cold-rolled Steel		110	16
		1			130	20
		2			275	28
S	RT832	0	5052-H34 Aluminum	2500-3000	68	21
		1			105	23
		2			220	35
		0	Cold-rolled Steel		110	26
		1			145	35
		2			285	45
SS	RT032	0	5052-H34 Aluminum	2500-3500	68	26
		1			110	32
		2			190	50
		0	Cold-rolled Steel		120	32
		1			180	40
		2			320	60
S	RT0420	0	5052-H34 Aluminum	4000-7000	220	70
		1			360	90
		2			360	125
		0	Cold-rolled Steel		315	115
		1			400	150
		2				
S	RT0518	1	5052-H34 Aluminum	4000-7000	380	120
		2			160	
		1			Cold-rolled Steel	165
		2				420

Type	Thread Code	Shank Code	Test Sheet Material	Installation (kN)	Pushout (N)	Torque-out (N-m)
S	RTM3	0	5052-H34 Aluminum	6.7-8.9	280	0.9
		1			400	1.13
		2			750	1.47
		0	Cold-rolled Steel		470	1.47
		1			550	1.7
		2			1010	2.03
S	RTM4	0	5052-H34 Aluminum	11.2-13.4	300	2.37
		1			470	2.6
		2			970	4
		0	Cold-rolled Steel		490	2.95
		1			645	4
		2			1250	5.1
SS	RTM5	0	5052-H34 Aluminum	11.2-15.6	300	3
		1			480	3.6
		2			845	5.7
		0	Cold-rolled Steel		530	3.6
		1			800	4.5
		2			1420	6.8
S	RTM6	00	5052-H34 Aluminum	18-32	750	6.5
		0			970	7.9
		1			1580	10.2
		2	Cold-rolled Steel		1380	14.1
		00			900	10
		0			1380	13
S	RTM8	1	5052-H34 Aluminum	18-32	1690	13.6
		2			18.1	
		1			Cold-rolled Steel	18.7
		2				20.3

SL™ NUTS

Thread Code	Shank Code	Prevailing Torque Specifications (1)		Test Sheet Material					
		Max. Torque (1st thru 3rd) (in. lbs.)	Min. Torque (1st thru 3rd) (in. lbs.)	5052-H34 Aluminum			Cold-rolled Steel		
				Installation (lbs.)	Pushout (lbs.)	Torque-out (in. lbs.)	Installation (lbs.)	Pushout (lbs.)	Torque-out (in. lbs.)
440	1	5.75	0.4	1500 - 2000	90	10	2500 - 3500	125	15
	2				170	13		230	18
632	1	10.5	0.8	2500 - 3000	95	17	3000 - 6000	130	20
	2				190	22		275	28
832	1	18	1.2	2500 - 3000	105	23	4000 - 6000	145	35
	2				220	35		285	45
032	1	21	1.65	2500 - 3000	110	32	4000 - 9000	180	40
	2				190	50		250	60
0420	1	35	3.75	4000 - 7000	360	90	6000 - 9000	400	150
	2				360	125		400	150
0518	1	53	4.75	4000 - 7000	380	120	6000 - 8000	420	165
	2				380	160		420	180

Thread Code	Shank Code	Prevailing Torque Specifications (1)		Test Sheet Material					
		Max. Torque (1st thru 3rd) (N-m)	Min. Torque (1st thru 3rd) (N-m)	5052-H34 Aluminum			Cold-rolled Steel		
				Installation (kN)	Pushout (N)	Torque-out (N-m)	Installation (kN)	Pushout (N)	Torque-out (N-m)
M3	1	0.67	0.04	6.7 - 8.9	400	1.13	11.2 - 15.6	550	1.7
	2				750	1.47		1010	2.03
M3.5	1	1.2	0.08	11.2 - 13.5	400	1.92	13.4 - 26.7	570	2.3
	2				840	2.5		1210	2.3
M4	1	2.1	0.13	11.2 - 13.4	470	2.6	18 - 27	645	4
	2				970	4		1250	5.1
M5	1	2.4	0.18	11.2 - 15.6	480	3.6	18 - 38	800	4.5
	2				845	5.7		1112	6.8
M6	1	4	0.3	18 - 32	1580	10.2	27 - 36	1760	17
	2				1580	14.1		1760	17
M8	1	6	0.5	18 - 32	1570	13.6	27 - 36	1870	18.7
	2				1570	18.1		1870	20.3
M10	1	12	0.8	22 - 36	1760	32.7	32 - 50	2020	36.2
	2				1760	32.7		2020	36.2

(1) 3 cycle locking performance. Max. on / Min. off torque for 1st through 3rd cycles.



SELF-CLINCHING NUTS

PERFORMANCE DATA

Axial Strength and Mating Screw Recommended Tightening Torque data is available at: www.pemnet.com/design_info/tightening-torque/

SP™ NUTS

UNIFIED	Type	Thread Code	Shank Code	Test Sheet Material	Installation (lbs.)	Pushout (lbs.)	Torque-out (in. lbs.)
	SP	256	0	304 Stainless Steel	8000	130	14
			1		9000	165	17
			2		10000	290	18
	SP	440	0	304 Stainless Steel	8000	130	14
			1		9000	165	17
			2		10000	290	18
	SP	632	0	304 Stainless Steel	8500	140	18
			1		9500	170	24
			2		10500	340	28
	SP	832	0	304 Stainless Steel	9000	145	30
			1		10000	180	37
2			11000		360	45	
SP	024/032	0	304 Stainless Steel	9500	180	35	
		1		10500	230	45	
		2		11500	400	60	
SP	0420	1	304 Stainless Steel	13500	450	150	
		2		13500	600	170	
SP	0518	1	304 Stainless Steel	14800	470	170	
		2		14800	750	250	
SP	0524	1	304 Stainless Steel	14800	470	170	
		2		14800	750	250	
SP	0616/0624	1	304 Stainless Steel	16000	600	300	
		2		20000	700	370	

METRIC	Type	Thread Code	Shank Code	Test Sheet Material	Installation (kN)	Pushout (N)	Torque-out (N-m)
	SP	M2	1	304 Stainless Steel	40	725	1.92
			2		44.5	1290	2.03
	SP	M2.5	0	304 Stainless Steel	35.6	575	1.58
			1		40	725	1.92
			2		44.5	1290	2.03
	SP	M3	0	304 Stainless Steel	35.6	575	1.58
			1		40	725	1.92
			2		44.5	1290	2.03
	SP	M4	0	304 Stainless Steel	40	645	3.38
			1		44.5	800	4.18
			2		49	1600	5.08
	SP	M5	0	304 Stainless Steel	42.3	800	3.95
			1		46.7	1025	5.08
			2		51.2	1775	6.77
	SP	M6	1	304 Stainless Steel	60	2000	17
			2		60	2600	19
	SP	M8	1	304 Stainless Steel	66	2100	19
2			80		4500	23	
SP	M10	1	304 Stainless Steel	80	2150	38	

H™ NUTS

UNIFIED	Type	Thread Code	Test Sheet Thickness and Sheet Material	Installation (lbs.)	Pushout (lbs.)	Torque-out (in. lbs.)
	H	0616	.090" 5052-H34 Aluminum	4900	380	190
			.088" Cold-rolled Steel	7400	460	240

METRIC	Type	Thread Code	Test Sheet Thickness and Sheet Material	Installation (kN)	Pushout (N)	Torque-out (N-m)
	H	M10	2.29 mm 5052-H34 Aluminum	22	1760	21.5
			2.24 mm Cold-rolled Steel	33	2020	27.1

SH™ NUTS

UNIFIED	Thread Code	Shank Code	Test Sheet Thickness and Material (in.)	Sheet Hardness HRC	Installation (lbs.)	Pushout (lbs.)	Torque-out (in. lbs.)
	0420	1	.098" S700MC	23	11700	950	150
		2	.098" S700MC	23	12900	1000	170
	0518	1	.098" S700MC	23	12600	1050	265
		2	.098" S700MC	23	12900	1100	265
0616	1	.098" S700MC	23	15300	1200	500	

METRIC	Thread Code	Shank Code	Test Sheet Thickness and Material (mm)	Sheet Hardness HRC	Installation (kN)	Pushout (N)	Torque-out (N-m)
	M6	1	2.5 mm S700MC	23	52.1	4200	17
		2	2.5 mm S700MC	23	57.4	4500	19
	M8	1	2.5 mm S700MC	23	56.1	4600	30
		2	2.5 mm S700MC	23	57.4	4900	30
M10	1	2.5 mm S700MC	23	71.2	5400	56	

SELF-CLINCHING NUTS

PERFORMANCE DATA

Axial Strength and Mating Screw Recommended Tightening Torque data is available at: www.pemnet.com/design_info/tightening-torque/

SMPS™ NUTS

UNIFIED	Type	Thread Code	Test Sheet Material		
			Cold-rolled Steel		
			Installation (lbs.)	Pushout (lbs.)	Torque-out (in. lbs.)
	SMPS	256	1500	35	8
	SMPS	440	1800	60	12
	SMPS	632	2000	65	14

METRIC	Type	Thread Code	Test Sheet Material		
			Cold-rolled Steel		
			Installation (kN)	Pushout (N)	Torque-out (N-m)
	SMPS	M2.5	6.7	156	1.13
	SMPS	M3	8	267	1.35
	SMPS	M3.5	8.8	289	1.58

SMPP™ NUTS

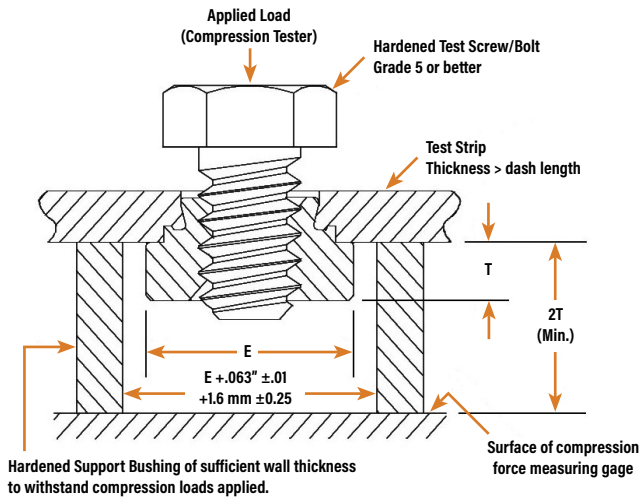
UNIFIED	Type	Thread Code	Test Sheet Material		
			.029" 304 Stainless Steel HRB 89		
			Installation (1)	Pushout (lbs.)	Torque-out (in. lbs.)
	SMPP	256	4500	50	10
	SMPP	440	4500	75	15
	SMPP	632	6000	75	20

METRIC	Type	Thread Code	Test Sheet Material		
			0.7 mm 304 Stainless Steel HRB 89		
			Installation (1)	Pushout (N)	Torque-out (N-m)
	SMPP	M2.5	20	200	1.35
	SMPP	M3	20	300	1.85
	SMPP	M3.5	27	300	1.9

(1) Installation controlled by proper cavity depth in installation tooling.

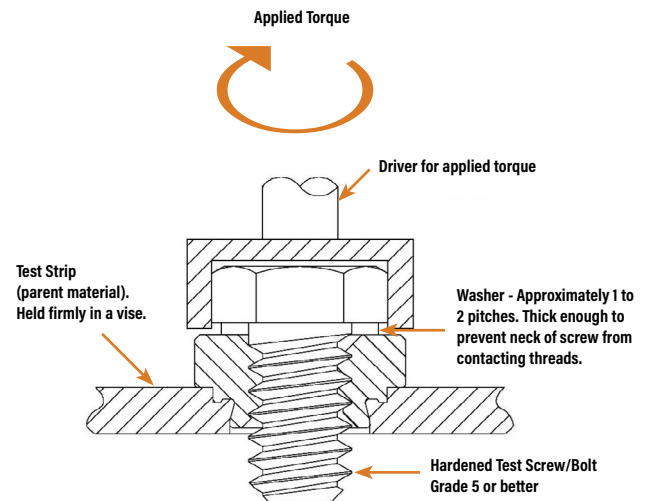
PUSHOUT TEST

Pushout tests shall be performed from the grip or shank side of the installed fastener. An axial load shall be applied to the fastener as shown using a hardened test screw, while evenly supporting the test strip around the fastener. The typical position rate is .25" / 6.35 mm per minute. Dimensions are identified per PEM Bulletins where "E" equals head diameter and "T" (or "L") equals head height. The pushout force is measured using a force or compression tester with a range that will cover the expected forces.



TORQUE-OUT TEST

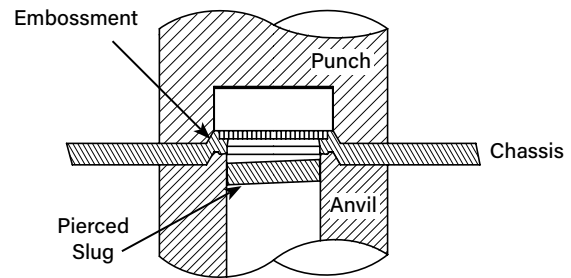
Torque-out tests shall be performed from the shoulder or head side of the installed fastener. Torque shall be applied to the fastener in the manner illustrated, using a hardened test screw and washer, while firmly holding the test strip. Test screws should be of sufficient tensile strength to resist thread stripping. A minimum of two screw threads must extend beyond the fastener.



SELF-PIERCING, SELF-CLINCHING TOOLING

Specialized PEMSERTER® tooling allows installation of S self-clinching nuts into aluminum sheets (sizes 1/4", 5/16", M6 and M8) in one pierce/press operation.

For more information, see our web site for Tech Sheet [PEM® - Ref / Self-piercing, self-clinching tooling](#). To locate, simply type "self-piercing" in site search box.



SELF-CLINCHING NUT INSTALLATION DOS AND DON'TS

"DOS"

- DO** select the proper fastener material to meet corrosion requirements.
- DO** make certain that panel material is in the annealed condition.
- DO** make certain that hole punch is kept sharp to minimize work hardening around hole.
- DO** provide mounting hole of specified size for each fastener.
- DO** maintain the hole punch diameter to no greater than $+0.001"/.025$ mm over the minimum recommended mounting hole for type SP nuts into stainless steel sheets.
- DO** install fastener into hole punch side of sheet.
- DO** make certain that shank (or pilot) is within hole before applying installation force.
- DO** make certain that fastener is not installed adjacent to bends or other highly cold-worked areas.
- DO** apply squeezing force between parallel surfaces.
- DO** utilize recommended installation tooling when installing fasteners.
- DO** apply sufficient force to totally embed clinching ring around entire circumference and to bring shoulder squarely in contact with sheet.

"DON'TS"

- DON'T** attempt to install any self-clinching nut other than types SP/SMPP fasteners into a stainless steel sheet.
- DON'T** install steel or stainless steel fasteners in aluminum panels before anodizing or finishing.
- DON'T** deburr mounting holes on either side of sheet before installing fasteners – deburring will remove metal required for clinching fastener into sheet.
- DON'T** install fastener closer to edge of sheet than minimum edge distance indicated by manufacturer – unless a special fixture is used to restrict bulging of sheet edge.
- DON'T** over-squeeze. It will crush the head, distort threads, and buckle the sheet. Approximate installation forces are listed in performance data tables. Use this info as a guide. Be certain to determine optimum installation force by test prior to production runs.
- DON'T** attempt to insert fastener with a hammer blow – under any circumstances. A hammer blow won't permit the sheet metal to flow and develop an interlock with the fastener's contour.
- DON'T** install screw in the head side of fastener. Install from opposite side so that the fastener load is toward sheet. The clinching force is designed only to hold the fastener during handling and to resist torque during assembly.
- DON'T** install fastener on pre-painted side of panel.



All PEM® products meet our stringent quality standards. If you require additional industry or other specific [quality certifications](#), special procedures and/or part numbers are required. Please contact your local sales office or representative for further information.

Regulatory [compliance information](#) is available in Technical Support section of our website. Specifications subject to change without notice. See our website for the most current version of this bulletin.

PennEngineering®



North America: Danboro, Pennsylvania USA ▪ E-mail: info@pemnet.com ▪ Tel: +1-215-766-8853 ▪ 800-237-4736 (USA)

Europe: Galway, Ireland ▪ E-mail: europa@pemnet.com ▪ Tel: +353-91-751714

Asia/Pacific: Singapore ▪ E-mail: singapore@pemnet.com ▪ Tel: +65-6-745-0660

Shanghai, China ▪ E-mail: china@pemnet.com ▪ Tel: +86-21-5868-3688

Visit our PEMNET™ Resource Center at www.pemnet.com ▪ Technical support e-mail: techsupport@pemnet.com

Mouser Electronics

Authorized Distributor

Click to View Pricing, Inventory, Delivery & Lifecycle Information:

PEM:

[CLA-032-1](#) [CLA-032-2](#) [CLA-0420-1](#) [CLA-0420-2](#) [CLA-0420-3](#) [CLA-440-1](#) [SS-024-3ZI](#) [SS-032-0ZI](#) [SS-032-1ZI](#)
[SS-032-2ZI](#) [SS-032-3ZI](#) [S-RTM6-0ZI](#) [S-RTM6-1ZI](#) [S-RTM6-2ZI](#) [SS-024-0ZI](#) [SS-024-1ZI](#) [SS-024-2ZI](#) [S-RTM3-1ZI](#)
[S-RTM3-2ZI](#) [S-RTM4-0ZI](#) [S-RTM4-1ZI](#) [S-RTM4-2ZI](#) [S-RTM6-00ZI](#) [S-RT632-1ZI](#) [S-RT632-2ZI](#) [S-RT832-0ZI](#) [S-](#)
[RT832-1ZI](#) [S-RT832-2ZI](#) [S-RTM3-0ZI](#) [S-RT0518-1ZI](#) [S-RT0518-2ZI](#) [S-RT440-0ZI](#) [S-RT440-1ZI](#) [S-RT440-2ZI](#) [S-](#)
[RT632-0ZI](#) [SMPS-632](#) [SMPS-M2.5](#) [SMPS-M3](#) [S-RT0420-0ZI](#) [S-RT0420-1ZI](#) [S-RT0420-2ZI](#) [SMPP-632](#) [SMPP-](#)
[M2.5](#) [SMPP-M3](#) [SMPP-M3.5](#) [SMPS-256](#) [SMPS-440](#) [S-M6-1ZI](#) [S-M6-2ZI](#) [S-M8-1ZI](#) [S-M8-2ZI](#) [SMPP-256](#) [SMPP-](#)
[440](#) [S-M3-1ZI](#) [S-M3-2ZI](#) [S-M4-0ZI](#) [S-M4-1ZI](#) [S-M4-2ZI](#) [S-M6-0ZI](#) [S-M2-1ZI](#) [S-M2-2ZI](#) [S-M3.5-0ZI](#) [S-M3.5-1ZI](#) [S-](#)
[M3.5-2ZI](#) [S-M3-0ZI](#) [S-M10-2ZI](#) [S-M12-1ZI](#) [S-M2.5-0ZI](#) [S-M2.5-1ZI](#) [S-M2.5-2ZI](#) [S-M2-0ZI](#) [SL-M4-2ZI](#) [SL-M5-1ZI](#)
[SL-M5-2ZI](#) [SL-M6-1ZI](#) [SL-M6-2ZI](#) [S-M10-1ZI](#) [SL-440-2ZI](#) [SL-632-1ZI](#) [SL-832-1ZI](#) [SL-832-2ZI](#) [SL-M3-1ZI](#) [SL-M4-](#)
[1ZI](#) [SH-M6-1X](#) [SH-M6-2X](#) [SH-M8-1X](#) [SH-M8-2X](#) [SL-0420-1ZI](#) [SL-0420-2ZI](#) [SH-0420-1X](#) [SH-0420-2X](#) [SH-0518-1X](#)
[SH-0518-2X](#) [SH-0616-1X](#) [SH-M10-1X](#) [SGPC-M6-15](#) [SGPC-M6-18](#) [SGPC-M6-20](#) [SGPC-M6-25](#) [SGPC-M6-30](#)