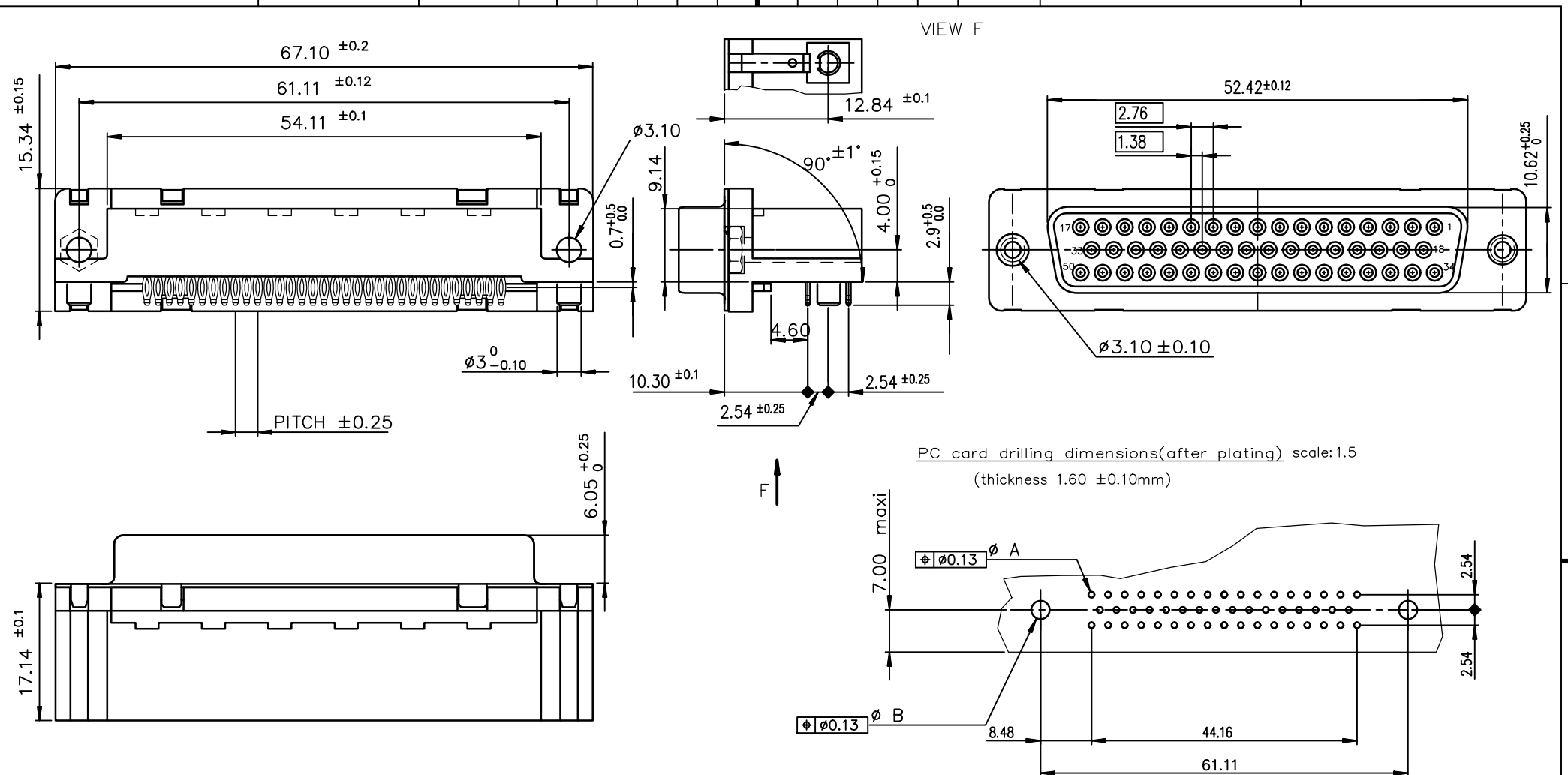




FCJconnect.com

Copyright FCJ

D



TIN LEAD PART NUMBER

D50S82C4PA00	D50S82C6PA00
Gold flash	0,76 » gold

LEAD FREE PART NUMBER

D50S82C4PA00LF	D50S82C6PA00LF
Gold flash	0,76 » gold

GENERAL CHARACTERISTICS AND ROHS INFORMATIONS:  
SEE DRAWING C01-8646-0001

mat'l. code		surface		tolerance		projection		product family		
-		ISO 1302 ✓		ISO 406 ISO 1101				D-SUB		
ltr	ecn no	dr	date	tolerances unless otherwise specified				title		
G	ELX-17859	MP	2014/06/06	angles	linear	MM		DELTA-D EUROSTYLE FEMALE RIGHT ANGLED PRESS FIT		
				0°±2'		scale 2:1		dwg no		
				dr	PESSON	1995/03/17			sheet 1 of 1	
				enr	MITHUN PAUL	2014/06/06	C01-8646-0398		size	
				chr	ALIAS BABU	2014/06/06			A3	
				appd	BIJU K PAUL	2014/06/06	type		Product Customer Drawing	
sheet index	revision sheet	G	1							