



DC POWER CONNECTORS: KLDHCX Series

High Current PCB Mount DC Locking Type Power Jack

Product Features

- 2.0mm and 2.5mm.
- Built-In DC On/Off Switch
- To Be Used with Locking/Non-locking Tuning Fork Style Plug
- Laptop and Palm Computers, Portable Modems, Radar Detectors, and Other Portable Device Applications
- CSA/NRTL Certified File No. LR78160
- UL File No. E140125

Performance Specifications

Materials and Finish

- Plastic Housing:** PBT, UL94V-0 Rated, Black Color
- Center Pin:** Brass, Nickel Plated
- Contact #1:** Brass, Tin Plated
- Contact #2:** Phosphor Bronze, Tin Plated
- Contact #3:** Brass, Tin Plated

Electrical Characteristics

- Rated Current:** 5A
- Rated Voltage:** 24V RMS
- Insulation Resistance:** 50 Megohms Min. at 100 or 200V DC for 1 Minute
- Contact Resistance:** 30 milliohms Max.
- Dielectric Withstanding Voltage:** 250V AC Min. for 1 Minute

Mechanical Characteristics

- Durability Test:** 5000 Cycles
- Insertion Force:** 0.3kg Max.
- Extraction Force:** 0.3kg Min.

2D Drawing	IGES	STEP	3D PDF
Solder Profile	CofC RoHS Compliant	CofC REACH Compliant	UL Plastic File
Certificate of Origin	Check Stock	Request a Sample	Send Us An Email

Generated Part Number



Part Number Builder

-
 Series Diameter Lead Style Type

Series

KLDHCX-0202 - High Current PCB Mount DC Power Jack

Diameter

- A - 2.0mm Center Pin Diameter
- B - 2.5mm Center Pin Diameter

Peg

- Blank - Without Peg
- P - With Peg

Type

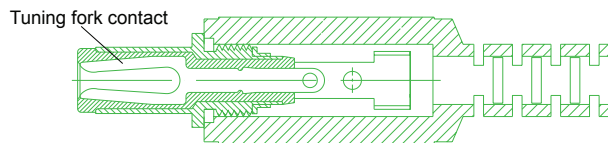
LT - Locking Type

Contact Kycon For Other Options

Recommended to be used with Kycon locking plug (tuning fork design):

KLDX-PA-0202-A-LT, KLDX-PA-0202-B-LT

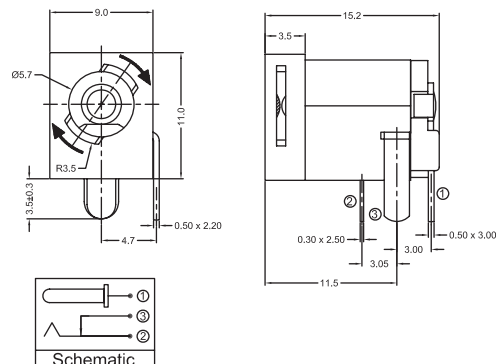
If used with non-locking plug, tuning fork design is required. See picture.



KLDHCX-0202 Series

Dimensions in mm

KLDHCX-0202-x-LT



Mouser Electronics

Authorized Distributor

Click to View Pricing, Inventory, Delivery & Lifecycle Information:

[Kycon:](#)

[KLDHCX-0202-A-LT](#) [KLDHCX-0202-B-LT](#) [KLDHCX0202BPLT](#) [KLDHCX-0202-AP-LT](#) [KLDHCX-0202-BP-LT](#)