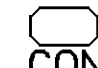
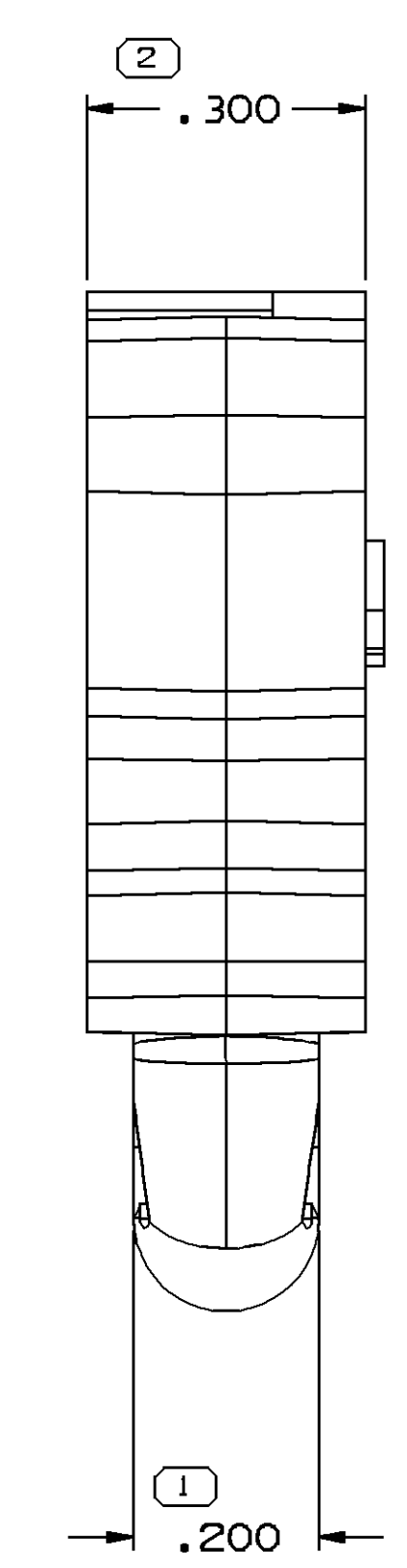
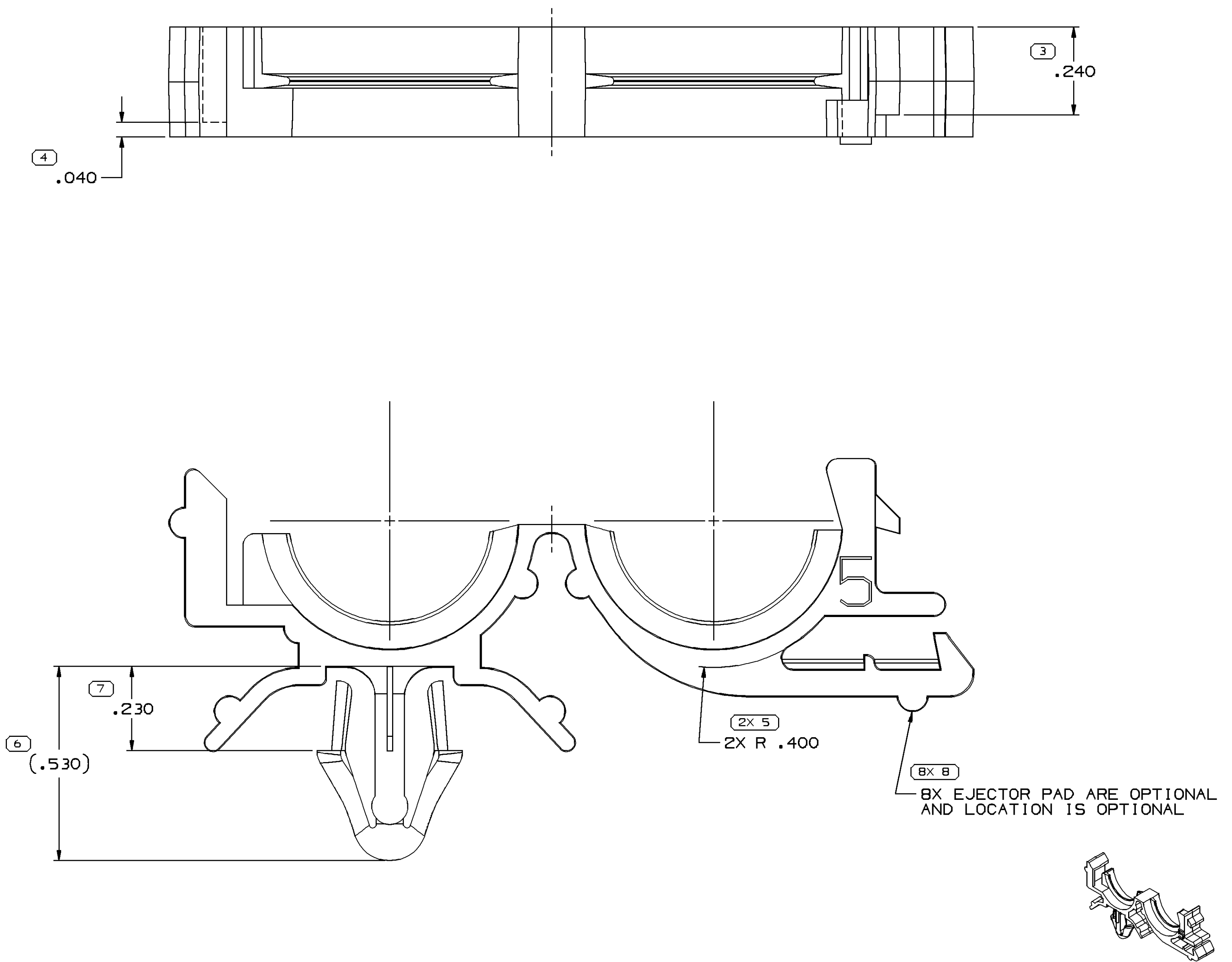


SYMBOL DEFINITION	
A DIMENSION WITHOUT AN INSPECTION REPORT SYMBOL  DOES NOT REQUIRE INSPECTION. IT MAY BE CONTROLLED ON THE INDIVIDUAL COMPONENT DRAWING.	TOTAL NO OF INSPECTIONS REQUIRED
	16
	LAST NO. USED
	8

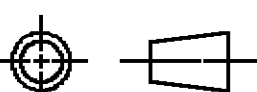
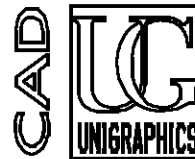
MISSING SYMBOLS				DWG STATUS		REVISION HISTORY		AUTH	DR	APVD1	APVD2
DATE	STG	REV	N/P	CHG	ZONE						
16MR04	R	06	-			CLEARED REV COL; REDRAWN TO PD & REVISED MAT'L SPEC		252398	JTV	FKV	ET
01FE06	R	06	AA	-		ADDED OPTIONAL CONSTRUCTION NOTE TO NOTE #2		276784	JBD	JAA	TP



NOTES

- UNLESS OTHERWISE SPECIFIED AND/OR INDICATED: DIMENSIONS ARE TO FACE OF VIEW SHOWN AND AUTOMATICALLY ROUNDED BY COMPUTER FOR INSPECTION (SEE MATH MODEL FOR PRECISE DIMENSIONS). FOR ALL OTHER DIMENSIONS NOT SHOWN BUT REQUIRED FOR TOOL BUILD, SEE MATH MODEL FOR PRECISE TOOL PATH DATA.
- MATERIAL RECYCLING CODE PER ISO 11469. (.090)X(.005) CHARACTERS AS SHOWN TO BE LOCATED ON ANY EXTERIOR SURFACE. OPTIONAL CONSTRUCTION TO BE NO MATERIAL RECYCLING CODE.
- (.135)X(.005) DELPHI CORPORATE BRAND TO BE LOCATED ON ANY EXTERIOR SURFACE, PREFERABLY VISIBLE AT FINAL ASSEMBLY. OPTIONAL CONSTRUCTION TO BE "PED".
- THIS PART TO FIT .493 I.D. CONVOLUTED CONDUIT.
- RECOMMEND HOLE SIZE FOR CLIP .240 - .260 DIA HOLE IN .150 MAX. THICK STOCK.

DIMENSIONAL RANGE (IN)		CHART	H
FROM	0	>.750	>1.250 >2.750
TO	.750	1.250	2.750 4.000 >4.000
TOLERANCE UNLESS OTHERWISE SPECIFIED			
	±.005	±.010	±.012 ±.016 ±.020
ANGULAR TOLERANCE ±2°			

DWG TYPE		PART DRAWING	
STYLE			
VOLUME (IN ³)	DISTR CODE		
1.986	D		
UNLESS OTHERWISE SPECIFIED			
THIS DOCUMENT IS IN ACCORDANCE WITH ASME Y14.5M-1994 AS AMENDED BY THE 3M GLOBAL DIMENSIONING AND TOLERANCING ADDENDUM-2001. SEPARATE PATTERNS OF FEATURES MAY BE BAGGED SEPARATELY REGARDLESS OF DATUM REFERENCES.			
ALL DIMENSIONS ARE IN INCHES			
REFERENCE			
THIRD ANGLE PROJECTION	DO NOT SCALE		
	USE MATH DATA 		

DELPHI
 DELPHI PACKARD ELECTRIC SYSTEMS
 WARREN, OH

DATE	
DR T. MUDREY	03SE72
APVD1 HUBBARD	03SE72
APVD2 MC DOWAN	03SE72
APVD3 PEARLS	03SE72
APVD4	
APVD5	

SUBSTANCES OF CONCERN AND RECYCLED CONTENT PER DELPHI 10949001

MATERIAL
 M2097001 PP IM BLK

DRAWING NAME
 MOUN CLIP CDT 13MM ROSEBUD

DRAWING NUMBER
 08911472

SIZE	SCALE	FRAME NO	SHEET NO	STG	REV	N/P
A1	5:1	1 OF 1	1 OF 1	R	06	AA

Mouser Electronics

Authorized Distributor

Click to View Pricing, Inventory, Delivery & Lifecycle Information:

[Aptiv:](#)

[08911472](#)