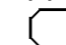
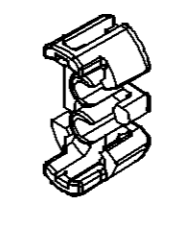
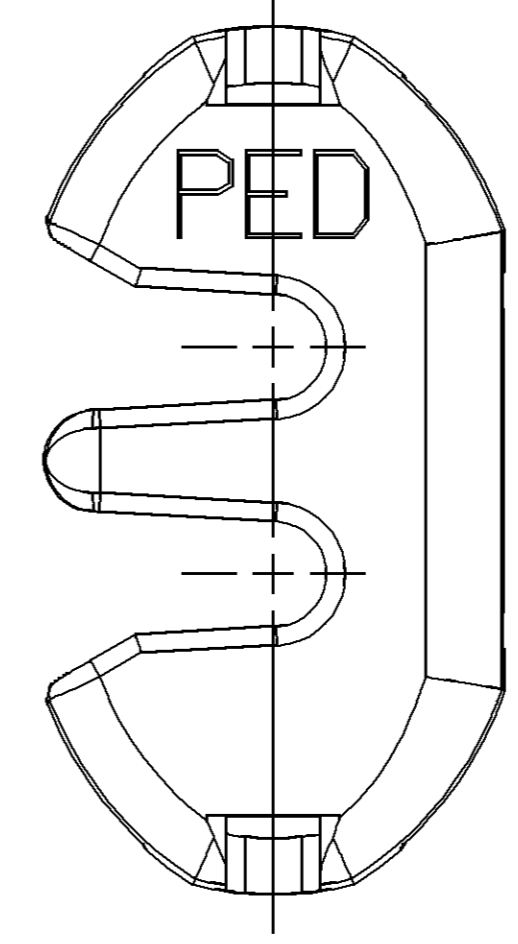
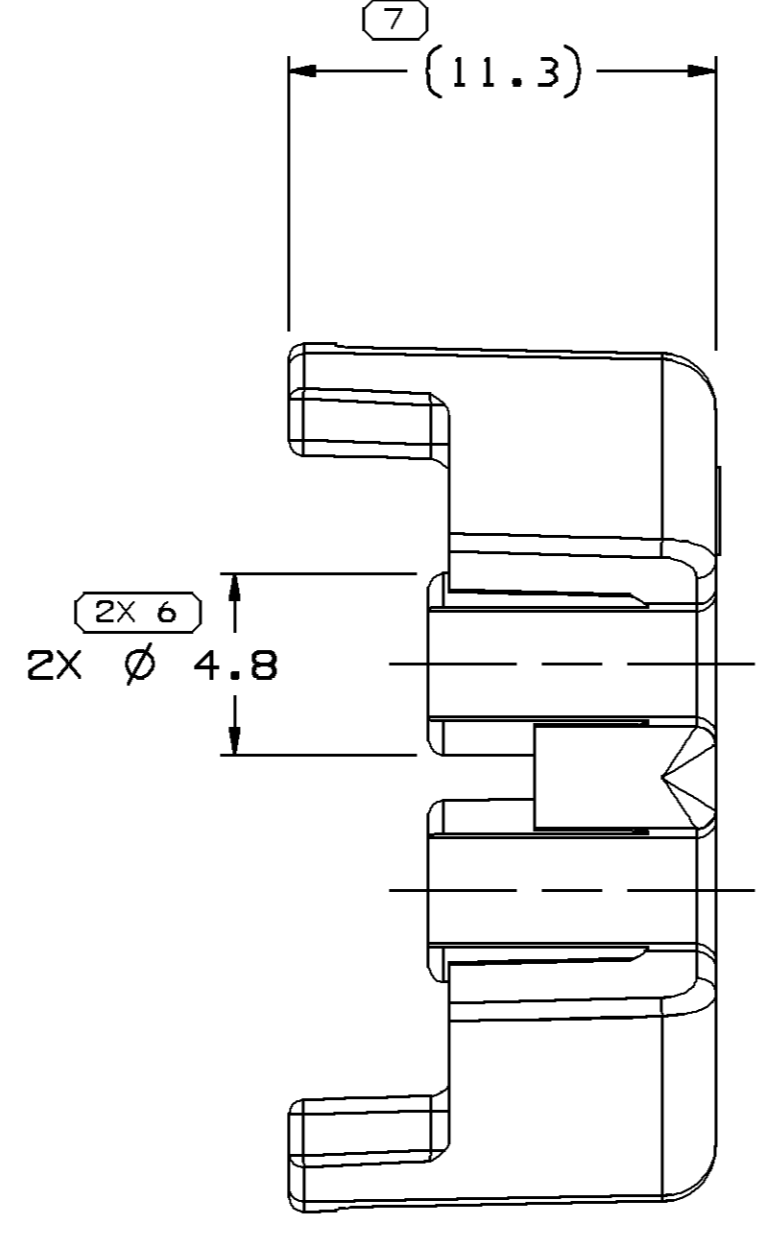
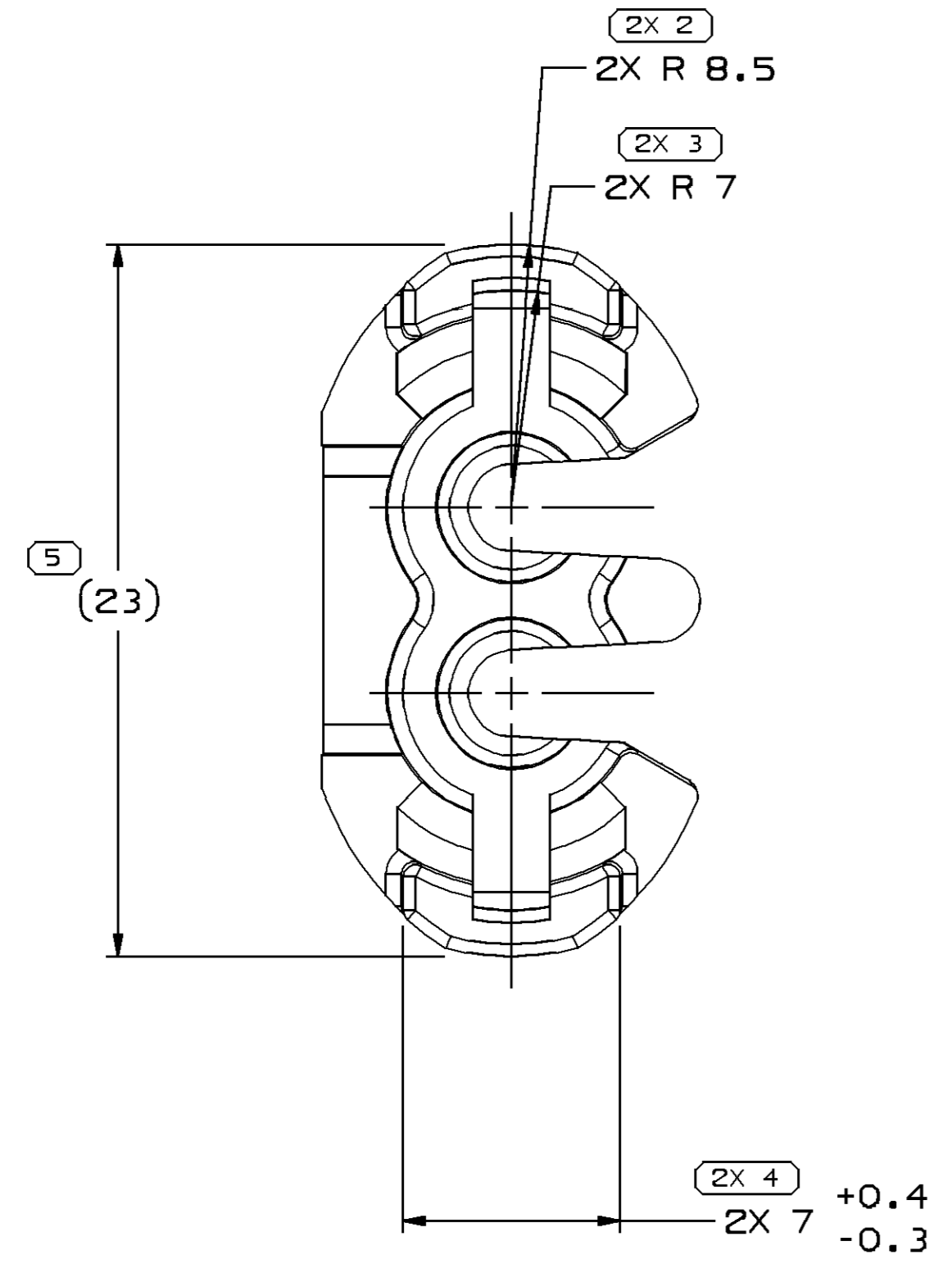
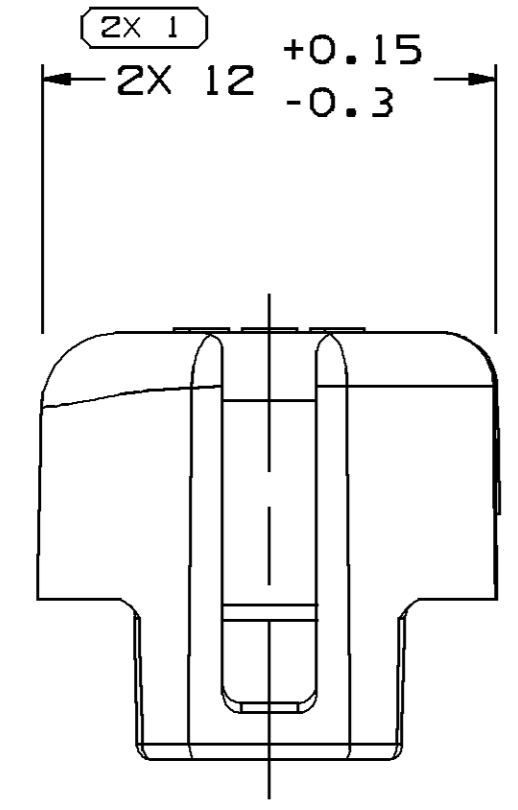


SYMBOL DEFINITION		MISSING SYMBOLS	
A DIMENSION WITHOUT AN INSPECTION REPORT SYMBOL  DOES NOT REQUIRE INSPECTION. IT MAY BE CONTROLLED ON THE INDIVIDUAL COMPONENT DRAWING.	TOTAL NO OF INSPECTIONS REQUIRED	NO MISSING SYMBOL NUMBER	12
	LAST NO. USED		7

DWG STATUS				ZONE	REVISION HISTORY	AUTH	DR	APVD1	APVD2
DATE	STG	REV	N/P						
18JUN01	R	01	-	-	ALL PARTS - UPDATED PDM ATTRIBUTES	210955	EGR	EAR	GMC
07DEC01	R	02	-	-	12077756 - UPDATED PDM ATTRIBUTES	215063	HAM	HAM	DB
19MY04	R	03	-	-	15496842 - RELEASED	255176	GPS	FRG	MJD
04AP06	R	04	-	-	15324327 - OBSOLETE	278839	CCV	FRG	BDG
10AP07	R	05	-	-	13642557 - RELEASED	401103	GLG	JVM	GGI



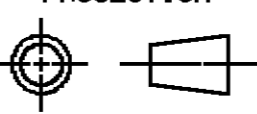
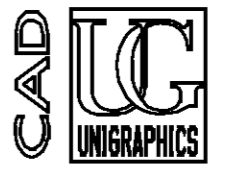
NOTES

- UNLESS OTHERWISE SPECIFIED AND/OR INDICATED:
DIMENSIONS ARE TO FACE OF VIEW SHOWN AND AUTOMATICALLY ROUNDED BY COMPUTER FOR INSPECTION (SEE MATH MODEL FOR PRECISE DIMENSIONS). FOR ALL OTHER DIMENSIONS NOT SHOWN BUT REQUIRED FOR TOOL BUILD, SEE MATH MODEL FOR PRECISE TOOL PATH DATA.
- MATERIAL RECYCLING CODE PER ISO 11469. (2.3)X(0.1) CHARACTERS AS SHOWN TO BE LOCATED ON ANY EXTERIOR SURFACE.
- THIS PART IS NOT CONTROLLED FOR AUTOMATIC FEEDING.
- REFERENCE MATING COMPONENTS OR EQUIVALENT:
CONNECTOR TWO WAY 150 SERIES MALE & FEMALE PUSH-TO SEAT
- (2.3)X(0.1) DELPHI CORPORATE BRAND TO BE LOCATED ON ANY EXTERIOR SURFACE, PREFERABLY VISIBLE AT FINAL ASSEMBLY. OPTIONAL CONSTRUCTION TO BE "PED".
- MAX CABLE DIAMETER THAT WILL FIT PART IS Ø 2.8
- DUE TO HEAT REQUIREMENTS, THE MATERIAL SPECIFIED CANNOT BE CHANGED WITHOUT THE APPROVAL OF THE SUPERVISOR OF COMPONENT LIAISON OR HIS DELEGATE.

13642557	01	-	-	M3592015 PA66 HS IM GRN LT	0.931
15496842	01	-	-	M3592004 PA66 HS IM-RED	0.931
15324327	02	AA	OBSOLETE	M3586001 PA46 HS IM-NAT	0.931
12124790	02	-	-	M3592025 PA66 HS IM-GRA MD	0.931
12077755	07	-	-	M3592001 PA66 HS IM-BLK	0.931
12052634	08	AA	-	M3592008 PA66 HS IM-BLU	0.931
PART NO	REV	N/P	STATUS	MATERIAL SPECIFICATION AND COLOR	VOL CM ³

DIMENSIONAL RANGE (MM)		CHART ET	
FROM	TO	>	>
> 0	> 20	> 30	> 70
> 20	> 30	> 70	> 100
> 30	> 70	> 100	> 150
> 70	> 100	> 150	> 200
> 100	> 150	> 200	> 250
> 150	> 200	> 250	> 300
> 200	> 250	> 300	> 400

TOLERANCE UNLESS OTHERWISE SPECIFIED
 ±0.15 | ±0.2 | ±0.3 | ±0.4 | ±0.5 | ±0.6 | ±0.8 | ±1 | ±1.2
 ANGULAR TOLERANCE ±2°

DWG TYPE PART DRAWING	
STYLE	
VOLUME (IMP) SEE CHART	DISTR CODE D
UNLESS OTHERWISE SPECIFIED THIS DOCUMENT IS IN ACCORDANCE WITH ASME Y14.5M-1994 AS AMENDED BY THE 2001 GLOBAL DIMENSIONING AND TOLERANCING ADDENDUM-2001. SEPARATE PATTERNS OF FEATURES MAY BE GAGED SEPARATELY REGARDLESS OF DATUM REFERENCES.	
ALL DIMENSIONS ARE IN MILLIMETERS	
REFERENCE	
THIRD ANGLE PROJECTION	DO NOT SCALE USE MATH DATA
 	

DELPHI	
DELPHI PACKARD ELECTRICAL/ELECTRONIC ARCHITECTURE WARREN, OH	
DR	DATE
APVD1 M. PADILLA	260C98
APVD2 C. MIRANDA	260C98
APVD3 C. MIRANDA	260C98
APVD4	
APVD5	
SUBSTANCES OF CONCERN AND RECYCLED CONTENT PER DELPHI 10949001	
MATERIAL SEE CHART	
DRAWING NAME TAXI LOCK SECONDARY TPA M/P	
DRAWING NUMBER 12077756	
SIZE A1	SCALE 5:1
FRAME NO 1 OF 1	SHEET NO 1 OF 1
STG R	REV 05
N/P -	

Mouser Electronics

Authorized Distributor

Click to View Pricing, Inventory, Delivery & Lifecycle Information:

[Aptiv:](#)

[15496842](#) [12052634](#)