

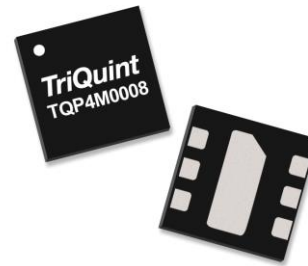
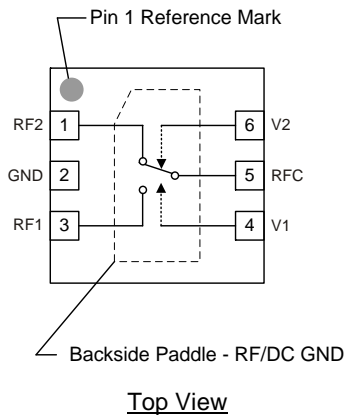
Product Overview

The TQP4M0008 is a GaAs FET single-pole, double throw (SPDT) low loss reflective switch with good isolation. The TQP4M0008 may be operated DC control signals from +1.8 to +5 Volts. The TQP4M0008 has 100–6000 MHz broadband performance.

The TQP4M0008 is packaged in a RoHS-compliant, compact 6-pin 2 x 2 mm surface-mount leadless package.

The TQP4M0008 is an ideal choice for wireless infrastructure and test & measurement applications requiring low insertion loss and high input IP3. It can also be used for any general purpose of RF application.

Functional Block Diagram



6-Pin 2 x 2 mm DFN Package

Key Features

- General Purpose
- Broadband: 100–6000 MHz
- Low Insertion Loss: 0.3 dB at 1 GHz
- High Input IP3: +56 dBm at 1 GHz
- CMOS Compatible Dual Voltage Control
- Lead Free, RoHS Compliant SMT Package

Applications

- WLAN
- Cellular Infrastructure
- Test and Measurement
- Smart Energy
- UHF/VHF
- LMR
- General Purpose Broadband Wireless

Pin Configuration

Pin No.	Symbol
1	RF2
2	GND
3	RF1
4	V1
5	RFC
6	V2
Backside Paddle	RF/DC GND

Ordering Information

Part No.	Description
TQP4M0008	2,500 pieces on a 7" reel (standard)
TQP4M0008-PCB	0.1–6 GHz Evaluation Board

Absolute Maximum Ratings

Parameter	Rating
Storage Temperature	-65 to +150 °C
RF Input Power, CW, 50 Ω, T=25 °C	+33 dBm
Max RF Input Power, peak envelope	+37 dBm
Control Voltage (V1, V2)	+6 V

Exceeding any one or a combination of the Absolute Maximum Rating conditions may cause permanent damage to the device. Extended application of Absolute Maximum Rating conditions to the device may reduce device reliability.

Recommended Operating Conditions

Parameter	Min	Typ	Max	Units
V1, V2 High State	+1.8	+3.3	+5.0	V
Operating Temperature	-40		+95	°C

Electrical specifications are measured at specified test conditions. Specifications are not guaranteed over all recommended operating conditions.

Electrical Specifications

Parameter	Conditions ⁽¹⁾	Min	Typ	Max	Units
Operational Frequency Range		100		6000	MHz
Insertion Loss	0.1 – 1.0 GHz		0.35	0.75	dB
	1.0 – 2.5 GHz		0.45	0.90	
	2.5 – 3.0 GHz		0.55	0.95	
	3.0 – 4.5 GHz		0.65		
	4.5 – 6.0 GHz		0.85		
Isolation	0.1 – 1.0 GHz	20	30		dB
	1.0 – 2.5 GHz	18	25		
	2.5 – 3.0 GHz	16	22		
	3.0 – 4.5 GHz		20		
	4.5 – 6.0 GHz		17		
Return Loss, RFC Port	0.1 – 1.0 GHz		20		dB
	1.0 – 2.5 GHz		15		
	2.5 – 3.0 GHz		15		
	3.0 – 4.5 GHz		17		
	4.5 – 6.0 GHz		15		
Input P1dB ⁽²⁾	At 1 GHz		37		dBm
Input IP3 ⁽²⁾	Pout = +15 dBm/tone, at 1 GHz, Δf = 1 MHz	45	56		dBm
Switch Time	t _{OFF,tON} (50% CTL to 10/90% RF)		110		ns
	t _{OFF,tON} (50% CTL to 2/98% RF)		180		ns
Digital Control Voltage (V1, V2) ⁽²⁾	Logic Low	0		0.45	V
	Logic High	1.8	3.3	5.0	V
Control Pin Current	V1 or V2 at +5V			60	μA

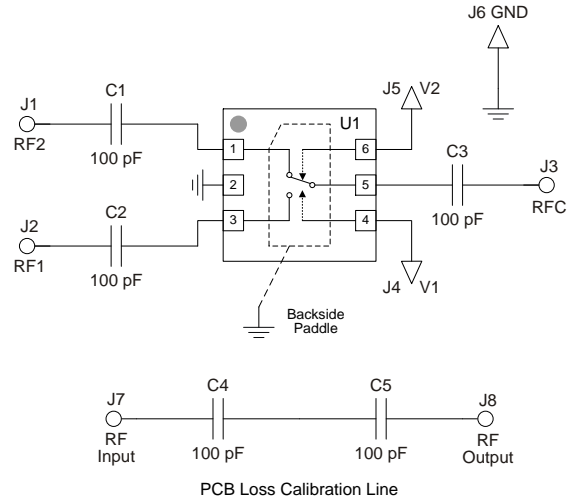
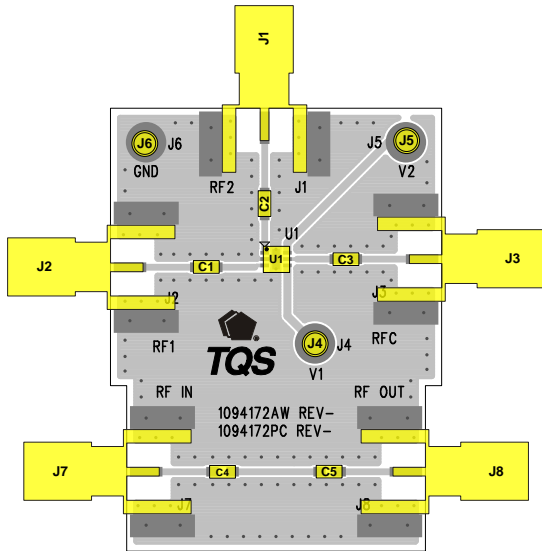
Notes:

1. Test conditions unless otherwise noted: V1 = +3.0V, V2 = 0 V, Temp = +25 °C, 50 Ω system.
2. Specified IP3 and P1dB at V1 or V2 ≥ +3.3V

Switch Control Truth Table

Control Voltages		Signal Path State	
V1	V2	RFC to RF1	RFC to RF2
Low	High	Off (isolation)	On (Insertion Loss)
High	Low	On (Insertion Loss)	Off (isolation)

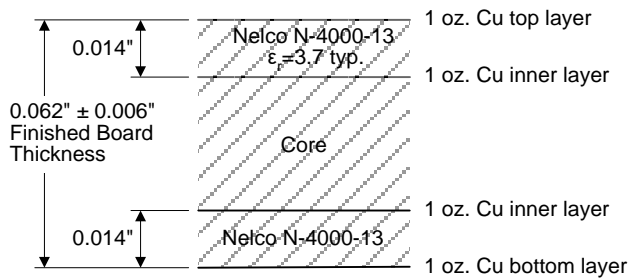
TQP4M0008-PCB Evaluation Board



Notes:

1. J7 to J8 thru line may be used to de-embed PCB losses to device.

Qorvo PCB 1094172 Material and Stack-up



50 ohm line dimensions: Width = .021"
Spacing = .006"

Typical Performance – TQP4M0008-PCB

Test conditions unless otherwise noted: V1=+3 V, V2=0 V, Temp=25°C, 50 Ω system

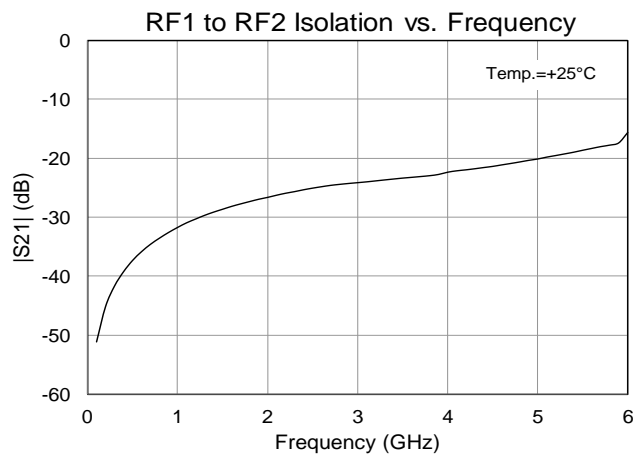
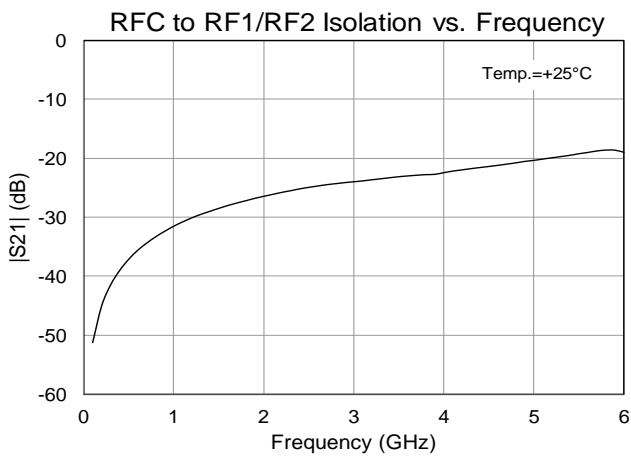
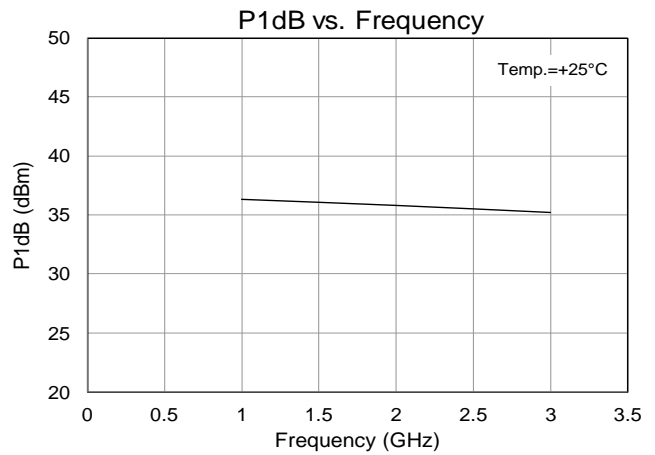
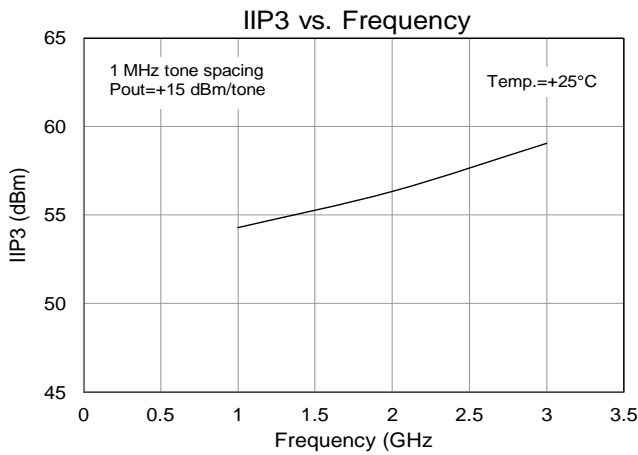
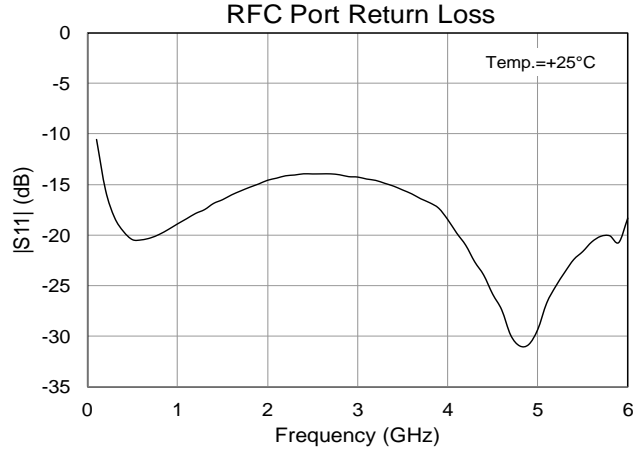
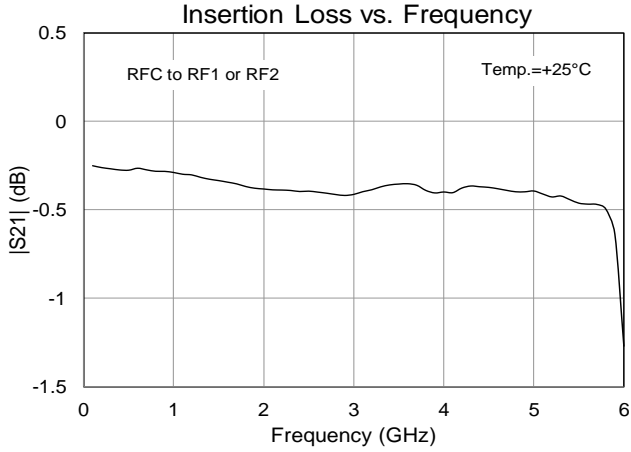
Parameter	Typical Value			Units
Frequency	1	2	3	GHz
Insertion Loss ⁽¹⁾	0.3	0.4	0.45	dB
RFC Port Return Loss	19	15	14	dB
RFC to RF1/RF2 Isolation	32	26	24	dB
RF1 to RF2 Isolation	33	26	25	dB
Input P1dB	+36	+35.5	+35	dBm
Input IP3 (f=1 GHz, 1 MHz tone spacing, Pout=+15 dBm/tone)	+54	+57	+59	dBm

Notes:

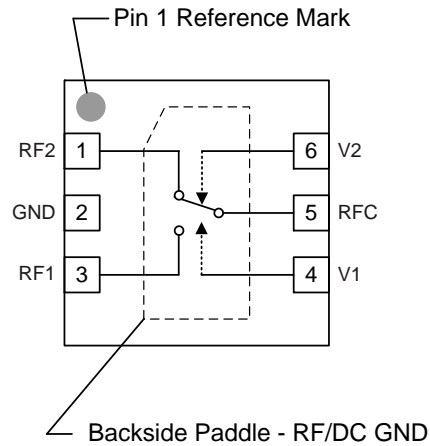
1. Insertion Loss values reflect de-embedding of evaluation board RF line and DC blocking capacitor losses.

Performance Plots – TQP4M0008-PCB

Test conditions unless otherwise noted: V1=+3 V, V2=0 V, Temp.=+25°C, 50 Ω system



Pin Configuration and Description



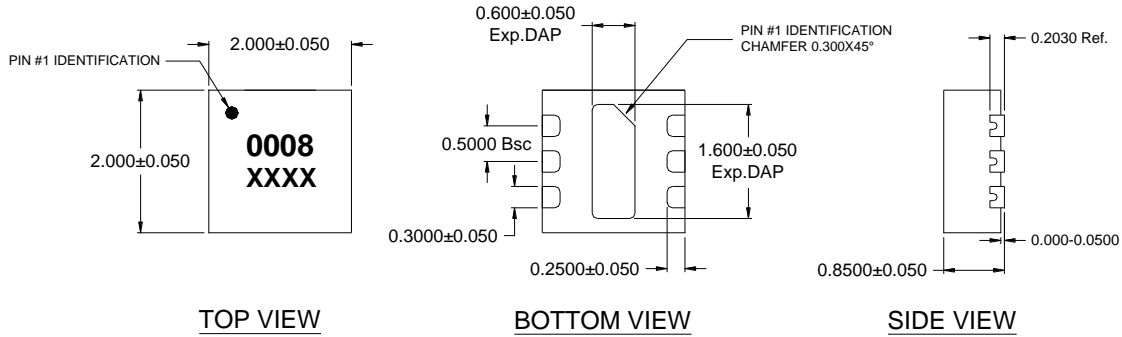
Pin No.	Symbol	Description
1	RF2	RF output 2, DC voltage present, DC block required.
2	GND	RF/DC Ground
3	RF1	RF output 1, DC voltage present, DC block required.
4	V1	Control Voltage
5	RFC	Antenna Input, DC voltage present, DC block required.
6	V2	Control Voltage
Backside Paddle	RF/DC GND	RF/DC Ground. Use recommended via hole pattern and ensure good solder attach for best thermal and electrical performance.

Mechanical Information

Package Marking and Dimensions

Marking: Part number – 0008

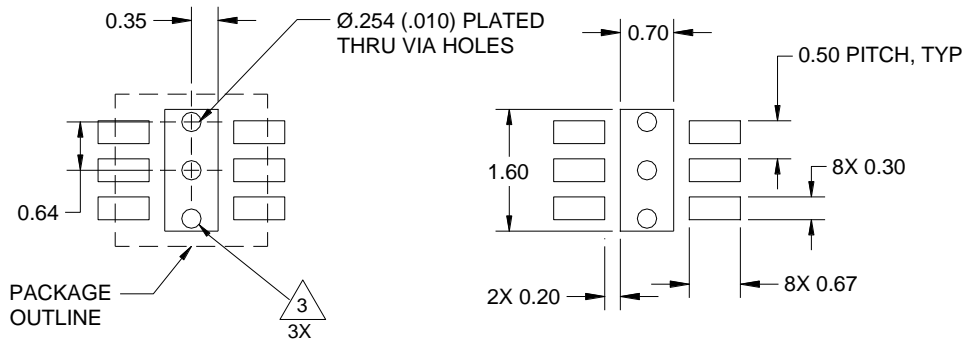
Trace code – XXXX (Up to 4 characters assigned by subcontractor)



Notes:

1. All dimensions are in millimeters. Angles are in degrees.
2. Dimension and tolerance formats conform to ASME Y14.4M-1994.
3. The terminal #1 identifier and terminal numbering conform to JESD 95-1 SPP-012

PCB Mounting Pattern



Notes:

1. All dimensions are in millimeters. Angles are in degrees.
2. Use 1 oz. copper minimum for top and bottom layer metal.
3. We recommend a 0.35mm (#80/.0135") diameter bit for drilling via holes and a final plated thru diameter of 0.25 mm (0.010").
4. Ensure good package backside paddle solder attach for reliable operation and best electrical performance.

Handling Precautions

Parameter	Rating	Standard
ESD – Human Body Model (HBM)	Class 1B	ESDA / JEDEC JS-001-2012
ESD – Charged Device Model (CDM)	Class C3	JEDEC JESD22-C101F
MSL – Moisture Sensitivity Level	Level 1	IPC/JEDEC J-STD-020



Caution!
ESD-Sensitive Device

Solderability

Compatible with both lead-free (260°C max. reflow temp.) and tin/lead (245°C max. reflow temp.) soldering processes. Solder profiles available upon request.

Contact plating: NiPdAu

RoHS Compliance

This part is compliant with 2011/65/EU RoHS directive (Restrictions on the Use of Certain Hazardous Substances in Electrical and Electronic Equipment) as amended by Directive 2015/863/EU.

This product also has the following attributes:

- Lead Free
- Halogen Free (Chlorine, Bromine)
- Antimony Free
- TBBP-A (C₁₅H₁₂Br₄O₂) Free
- PFOS Free
- SVHC Free



Contact Information

For the latest specifications, additional product information, worldwide sales and distribution locations:

Web: www.qorvo.com

Tel: 1-844-890-8163

Email: customer.support@qorvo.com

For technical questions and application information:

Email: appsupport@qorvo.com

Important Notice

The information contained herein is believed to be reliable; however, Qorvo makes no warranties regarding the information contained herein and assumes no responsibility or liability whatsoever for the use of the information contained herein. All information contained herein is subject to change without notice. Customers should obtain and verify the latest relevant information before placing orders for Qorvo products. The information contained herein or any use of such information does not grant, explicitly or implicitly, to any party any patent rights, licenses, or any other intellectual property rights, whether with regard to such information itself or anything described by such information. **THIS INFORMATION DOES NOT CONSTITUTE A WARRANTY WITH RESPECT TO THE PRODUCTS DESCRIBED HEREIN, AND QORVO HEREBY DISCLAIMS ANY AND ALL WARRANTIES WITH RESPECT TO SUCH PRODUCTS WHETHER EXPRESS OR IMPLIED BY LAW, COURSE OF DEALING, COURSE OF PERFORMANCE, USAGE OF TRADE OR OTHERWISE, INCLUDING THE IMPLIED WARRANTIES OF MERCHANTABILITY AND FITNESS FOR A PARTICULAR PURPOSE.**

Without limiting the generality of the foregoing, Qorvo products are not warranted or authorized for use as critical components in medical, life-saving, or life-sustaining applications, or other applications where a failure would reasonably be expected to cause severe personal injury or death.

Copyright 2018 © Qorvo, Inc. | Qorvo is a registered trademark of Qorvo, Inc.

Mouser Electronics

Authorized Distributor

Click to View Pricing, Inventory, Delivery & Lifecycle Information:

Qorvo:

[TQP4M0008-PCB](#) [TQP4M0008](#)