

Customer Information Sheet

DRAWING No.: M80-318 TO M80-319

SHEET 2 OF 2

IF IN DOUBT - ASK

©

NOT TO SCALE

THIRD ANGLE PROJECTION

ALL DIMENSIONS IN mm

SPECIFICATIONS:

MATERIALS:

BODY, SLEEVE, END PLUG BODY, INNER CONTACT AND LATCHING COLLAR = COPPER ALLOY
INSULATORS = PTFE

FINISH:

BODY, SLEEVE, END PLUG BODY, INNER CONTACT = GOLD
LATCHING COLLAR = NICKEL

ELECTRICAL:

FREQUENCY RANGE = 6GHz
IMPEDANCE = 50Ω
V.S.W.R. = 1.05 + (0.04 x FREQUENCY) GHz MAX
CONTACT RESISTANCE = 6mΩ MAX

INSULATION RESISTANCE = 10⁶MΩ @250V AC
OPERATING VOLTAGE = 180V AC @ 500mA
MAXIMUM VOLTAGE = 1,000V AC

MECHANICAL:

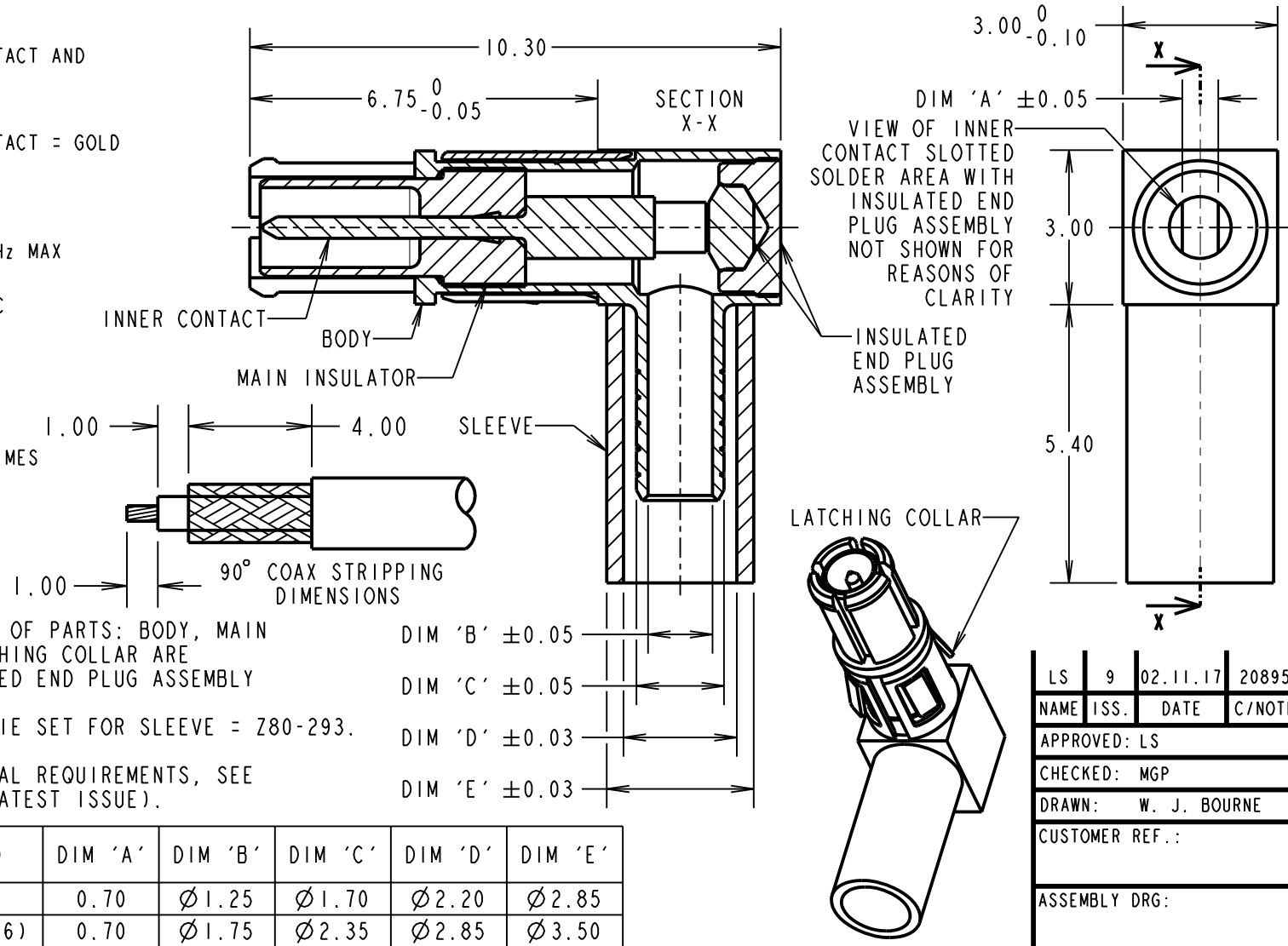
DURABILITY = 500 OPERATIONS
INSERTION FORCE = 8N MAX
WITHDRAWAL FORCE = 0.5N
CONTACT REPLACEMENT IN INSULATOR = 5 TIMES

ENVIRONMENTAL:

TEMPERATURE RANGE = -55°C TO +125°C

NOTES:

- CONNECTOR COMES SUPPLIED AS A KIT OF PARTS: BODY, MAIN INSULATOR, INNER CONTACT AND LATCHING COLLAR ARE PRE-ASSEMBLED, SLEEVE AND INSULATED END PLUG ASSEMBLY ARE SEPARATE.
- RECOMMENDED HAND CRIMP TOOL AND DIE SET FOR SLEEVE = Z80-293.
- CONTACT EXTRACTION TOOL = Z80-290
- FOR ALL OTHER ELECTRICAL/MECHANICAL REQUIREMENTS, SEE COMPONENT SPECIFICATION C005XX (LATEST ISSUE).



PART No.	CABLE DIAMETER (TYPE)	DIM 'A'	DIM 'B'	DIM 'C'	DIM 'D'	DIM 'E'
M80-318	∅2.0mm (RG178)	0.70	∅1.25	∅1.70	∅2.20	∅2.85
M80-319	∅2.7mm (RG174, 179, 316)	0.70	∅1.75	∅2.35	∅2.85	∅3.50

LS	9	02.11.17	20895
NAME	ISS.	DATE	C/NOTE
APPROVED: LS			
CHECKED: MGP			
DRAWN: W. J. BOURNE			
CUSTOMER REF.:			
ASSEMBLY DRG:			

HARWIN

www.harwin.com
technical@harwin.com

THIS DRAWING AND ANY INFORMATION OR DESCRIPTIVE MATTER SET OUT HEREON ARE CONFIDENTIAL AND COPYRIGHT PROPERTY OF THE HARWIN GROUP AND MUST NOT BE DISCLOSED, LOANED, COPIED OR USED FOR MANUFACTURING, TENDERING OR FOR ANY OTHER PURPOSE WITHOUT THEIR WRITTEN PERMISSION.

TOLERANCES
X. = ±1mm
X.X = ±0.50mm
X.XX = ±0.10mm
X.XXX = ±0.01mm
ANGLES = ±5°
UNLESS STATED

MATERIAL:
SEE ABOVE
FINISH: SEE ABOVE
S/AREA: mm²

TITLE: DATAMATE MIX-TEK
COAX CONTACT
MALE 90° CRIMP/SOLDER
DRAWING NUMBER:
M80-318 TO M80-319