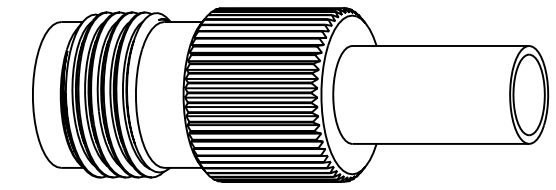


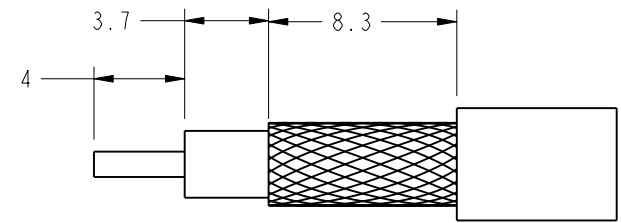
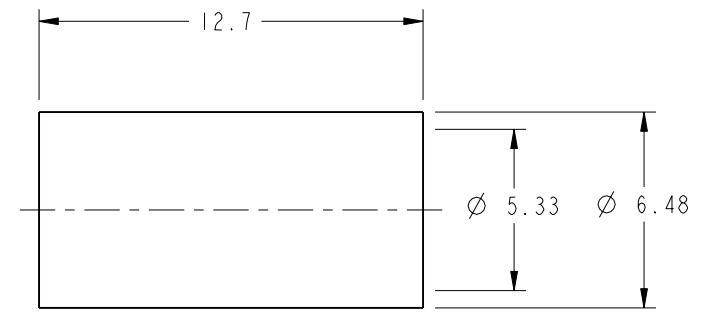
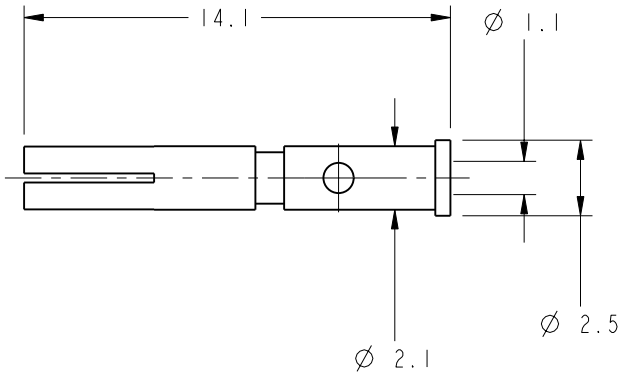
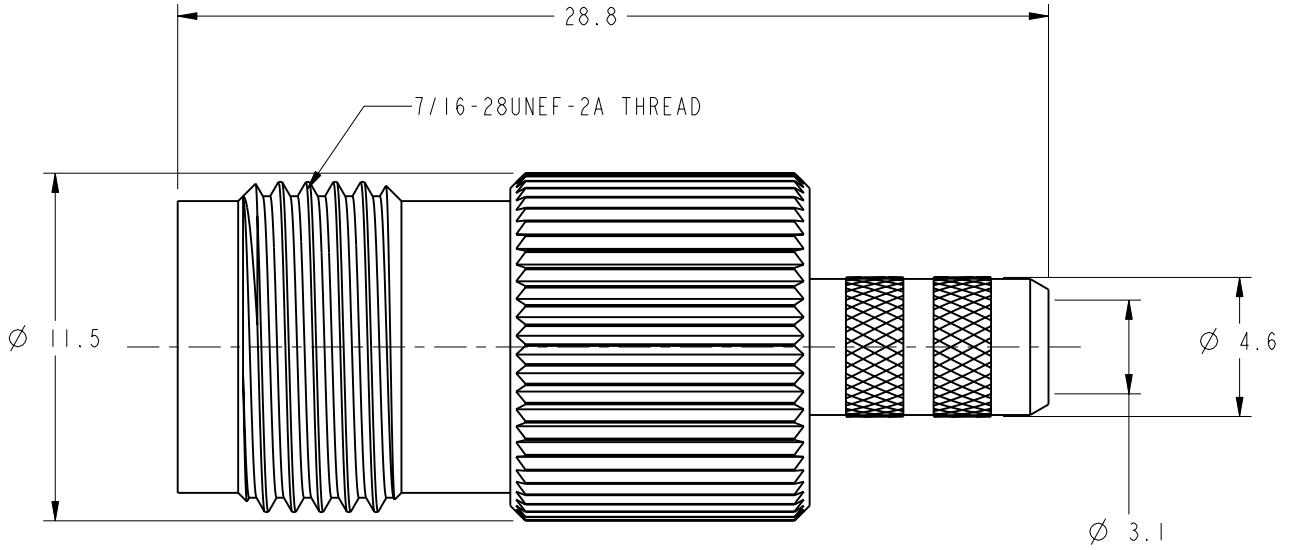
NOTES:

1. MATERIALS AND FINISHES:
 BODY & HOUSING - BRASS (ASTM-B16 H02, C36000), NICKEL PLATING (.000100 MIN THICK)
 CONTACT PIN - PHOSPHOR BRONZE (QQ-B-750), GOLD PLATING (.000003 MIN THICK)
 FERRULE - COPPER, NICKEL PLATING (.000100 MIN THICK)
 INSULATOR - PTFE
2. ELECTRICAL:
 A. IMPEDANCE: 50 OHM
 B. FREQUENCY RANGE: DC - 11 GHz
 C. DIELECTRIC WITHSTANDING VOLTAGE: 1500 VRMS, MIN.
3. MECHANICAL:
 A. TEMPERATURE RANGE: -65° C TO +165° C
4. PACKAGING:
 A. QUANTITY: SINGLE PACK
 B. MARKING: BAG TO BE MARKED
 "AMPHENOL, 31-2374-RFX, AND DATE CODE"
5. ASSEMBLY:
 A. TRIM CABLE AS SHOWN
 B. SOLDER CONTACT
 C. CRIMP OUTER FERRULE USING .213 HEX DIE

31-2374-RFX		REVISIONS			
DRAWING NO.	REV	DESCRIPTION	DATE	ECO	APPR
THIRD ANGLE PROJ.	A	RELEASE TO MFG.	10/13/05	45772	CPM



SCALE 2.000



RECOMMENDED CABLE STRIPPING DIMENSIONS
SCALE 3.000

CUSTOMER OUTLINE DRAWING
ALL OTHER SHEETS ARE FOR INTERNAL USE ONLY

UNLESS OTHERWISE SPECIFIED, DIMENSIONS ARE IN INCHES AND TOLERANCES ARE: 2 PLACE DECIMAL ±.015 (0,381 mm) 3 PLACE DECIMAL ±.005 (0,127 mm) ANGLES ± 1°	MATERIAL	DRAWN C. McGRATH	DATE 31-Aug-05	TITLE TNC CRIMP JACK RG 58 CABLE		Amphenol RF Danbury, CT, USA Tainan, Taiwan Shenzhen, China www.amphenolrf.com	
	REFERENCE	ENGINEER O. BARTHELME	DATE 31-Aug-05				
NOTICE - These drawings, specifications, or other data (1) are, and remain the property of Amphenol Corp. (2) must be returned upon request; and (3) are confidential and not to be disclosed to any person other than those to whom they are given by Amphenol Corp. The furnishing of these drawings, specifications, or other data by Amphenol Corp., or to any other person to anyone for any purpose is not to be regarded by implication or otherwise in any manner licensing, granting rights or permitting such holder or any other person to manufacture, use or sell any product, process or design, patented or otherwise, that may in any way be related to or disclosed by said drawings, specifications, or other data.		APPROVED O. BARTHELME	DATE 10/13/05	CODE ID 74868	DWG SIZE B	DRAWING NO. 31-2374-RFX	REV A
							SCALE: 4.0:1 SHEET 2 OF 2