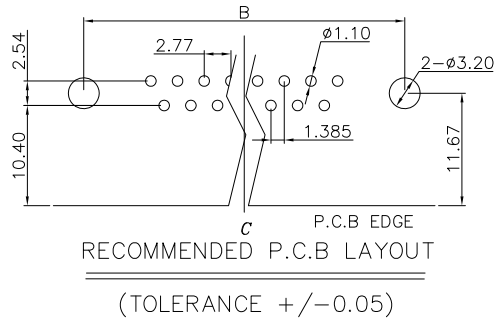
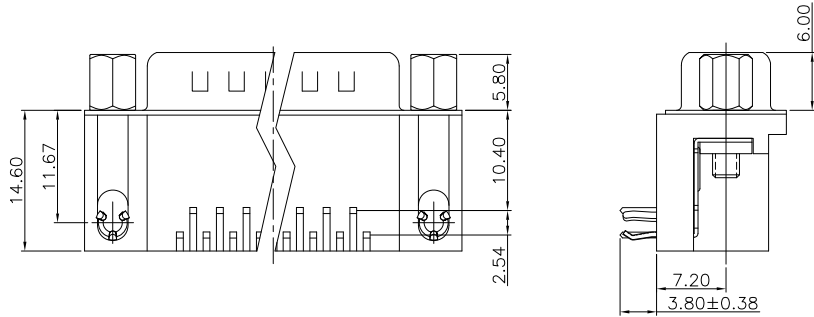
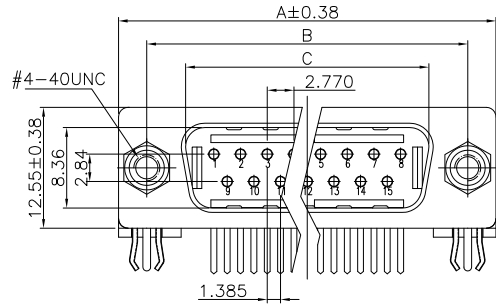


This document is the property of Amphenol Corporation and is delivered on the express condition that it is not to be disclosed, reproduced or used, in whole or in part, for manufacture or sale by anyone other than Amphenol Corporation without its prior consent, & that no right is granted to disclose or to use any information in this document.

Customer drawing



Dimensions

Positions	A	B	C
9	30.81	24.99	16.92
15	39.19	33.32	25.25
25	53.04	47.04	38.96
37	69.32	63.50	55.42



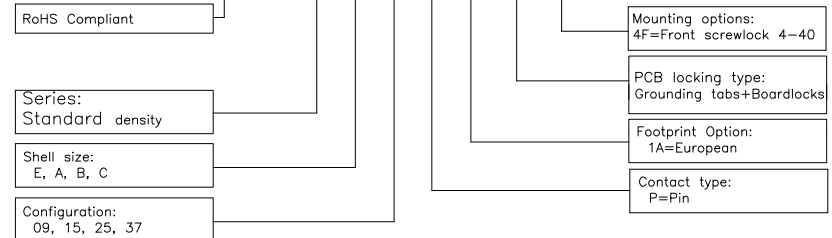
REVISIONS				
SYM	ECN	DESCRIPTION	DATE	APPROVED
1	HK--	First Release Drawing	8/01/08	IP
2	HK--	Update the Drawing	9/05/11	IP
3	HK--	Change dim. 30.89 to 30.81mm	8/28/13	IP

D-SUB TECHNICAL DATA

SHELL : SPCC, 80u" min nickel over 50u" min Copper
 BODY : PBT, UL 94V-0, Color:Black.
 CONTACTS : Copper alloy
 Gold flash over 50u" nickel on mating area
 100u" tin over 50u" nickel on solder area
 BOARDLOCK: Copper Alloy, Tin Plated.
 RIVET: Copper Alloy, Nickel Plated.
 SCREW: Copper Alloy, Nickel Plated.
 ELECTRICAL : Voltage rating 250 VAC (RMS)
 Current Rating :3 AMP
 Withstanding Voltage >1000 VAC(RMS)
 Insulation resistance >1000 M Ohms
 Contact resistance 25 mOhms max
 MARKING : Amphenol...(Series No.)
 Commercial reference
 Manufacturing date

PRODUCT CODE

L 717 SD X XX P 1A CH 4F



UNLESS OTHERWISE SPECIFIED TOLERANCES		APPROVAL		DATE
U.S.	METRIC	DRAWN	Checked	
.X +/-	0.50	Peliss Liu		8/28/13
.XX +/-	0.30	Tony Tang		8/28/13
.XXX +/-	0.20	CHECKED		
FRACTIONS +/-	5'	DRAWING FILE :		
ANGLES +/-		ANGLE OF PROJECTION		
FOR MATERIALS AND FINISHES SEE NOTES				
REMOVE SHARP EDGES				
DIMENSIONS		DRAWING NO.		
U.S.	INCHES	A4 C L717SDXXXP1ACH4F		
METRIC	MM	SCALE	NONE	SHEET 1 OF 1

Amphenol	
Amphenol East Asia Limited	
TITLE	
D-SUB connector,R/A,SD series	
SIZE	DRAWING NO.
A4	C L717SDXXXP1ACH4F
SCALE	NONE
SHEET	1 OF 1
REV.	3