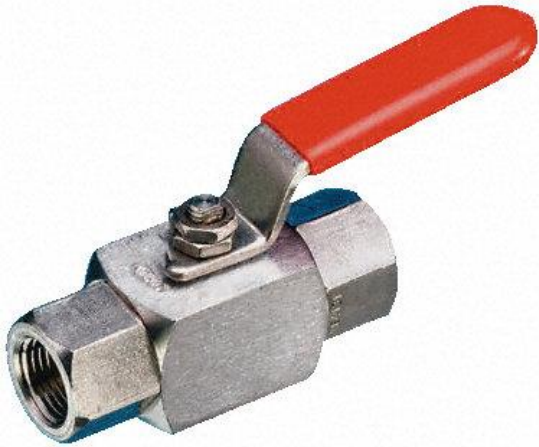


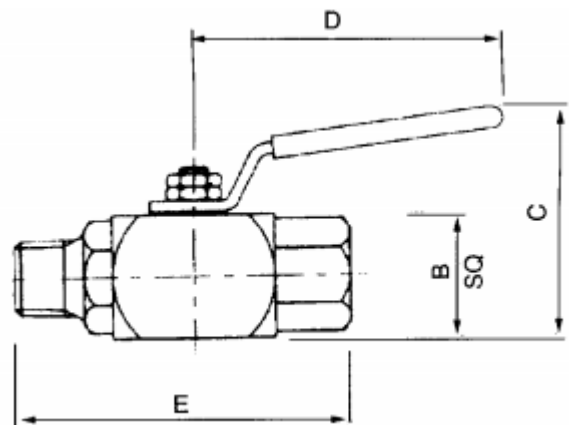
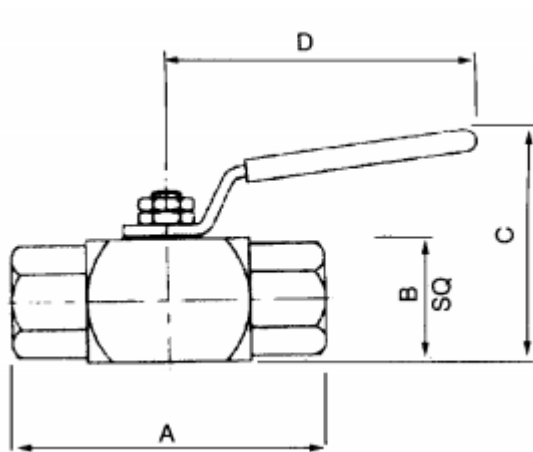
Datasheet

RS Stainless Steel Line Mounting Hydraulic Ball Valve NPT 1/2

RS Stock number 324-5004



Dimensions (mm) :



MATERIALS

BODY	= 316 STAINLESS STEEL
STEM	= 316 STAINLESS STEEL
STEM SEAL	= PTFE
BALL SEAL	= PTFE/PVDF
TEMP. RANGE	= -40 TO +200°C
LEVER	= 316 STAINLESS STEEL (WITH PLASTIC COVER)