



Data sheet Product MK 21

PCB connectors>Female headers
□ 0.635 mm and up to 0.85 mm Ø

Features

grid:	2.54 mm
no. of contacts:	1 - 50
contact material:	CuZn-alloy
contact sleeve:	tin-plated
surface contact / contact sleeve:	Ni+4...6µm Sn
contact spring:	gold-plated
inner contact spring material:	CuBe-alloy
inner contact spring surface:	Ni+0,75µm Au
type internal spring:	6-fingers
plugability for circuit points:	<ul style="list-style-type: none"> • □0,55...0,65mm • Ø0,65...0,85mm
insert depth:	2.5...3.6mm
insertion / drawing force:	1.3N/0.3N
shock resistance:	50 g
volume resistance:	≤10 mΩ
vibration resistance max.:	15 g
capacity between two adjacent contacts:	≤0,3 pF
nominal current:	3 A
nominal voltage:	150 V DC
test voltage:	1500 V
insulating body material:	PA 4.6. GF
temperature range:	<ul style="list-style-type: none"> • -40°C... +163°C • (260°C/10 s)
class of inflammability:	UL 94 V-0
version:	low profile

specific insulation
resistance:

$>10^7 \Omega \cdot m$

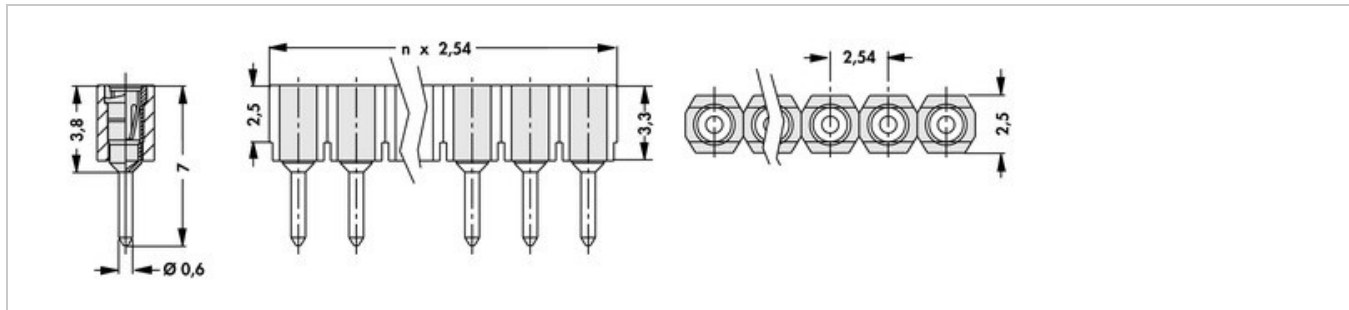
connection type:

THT (soldering)

reflow solderable:

yes

Technical Drawing



Fischer Elektronik GmbH & Co. KG
DEUTSCHLAND • GERMANY • ALLEMAGNE

Nottebohmstraße 28
58511 Lüdenscheid

Telefon +49 2351 435-0
Telefax +49 2351 45754

info@fischerelektronik.de
www.fischerelektronik.de