

LCR 084M-RSI

Low Leakage Filtered Power Entry Modules with Double Fuse Holder and **Red Illuminated** Switch (Medical)



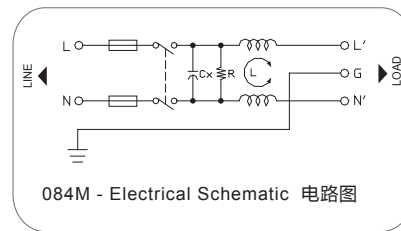
Features

Low leakage current, compact integrated power entry module with two safety fuses (on line and neutral) and **red illuminated** on/off switch. Easy to use and install with QD tabs or solder terminals. Fuses not included.

Typical Applications

Medical or low leakage current, compact electronic equipment with higher safety and protection requirements.

Electrical Schematic



Specifications

Rated Voltage Max. (V)	120/250 VAC
Rated Current (A)	1-10 A @ 40° C
Operating Frequency (Hz)	50/60 Hz
Hipot Rating	
Line to Line	1450 VDC
Line to Ground	2250 VDC
Case	Plated Steel
Packaging Quantity	90 Pcs per Carton

Leakage Current	
@ 250 VAC 50 Hz	10 µA Max.
@ 115 VAC 60 Hz	5 µA Max.
IP Class	IP 51
Climatic Category (EN-60068-1)	25/85/21

Model No. *	Rated Current (A) @ 40° C	Mechanical Diagram	Unit Weight (g)	Terminal Options	
				In	Out
084M.00101.00-RSI	1	A	92	IEC Inlet Socket	QD 6.35*0.8
084M.00301.00-RSI	3	A	93	IEC Inlet Socket	QD 6.35*0.8
084M.00302.00-RSI	3	B	93	IEC Inlet Socket	QD 4.80*0.8
084M.00601.00-RSI	6	A	94	IEC Inlet Socket	QD 6.35*0.8
084M.01001.00-RSI	10	A	100	IEC Inlet Socket	QD 6.35*0.8

* Out internal part number may vary

Specifications are subject to change. Consult factory to verify specifications.

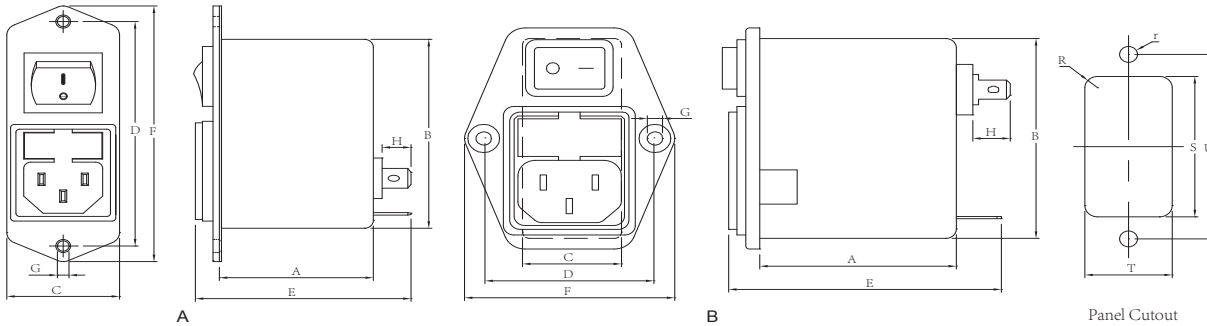
Contact Astrodyne TDI (Radius Power, LCR, & Filter Concepts): (908) 850-5088 or EMIfiltersales@astrodynetdi.com

LCR 084M-RSI

Low Leakage Filtered Power Entry Modules with Double Fuse Holder and **Red** Illuminated Switch (Medical)



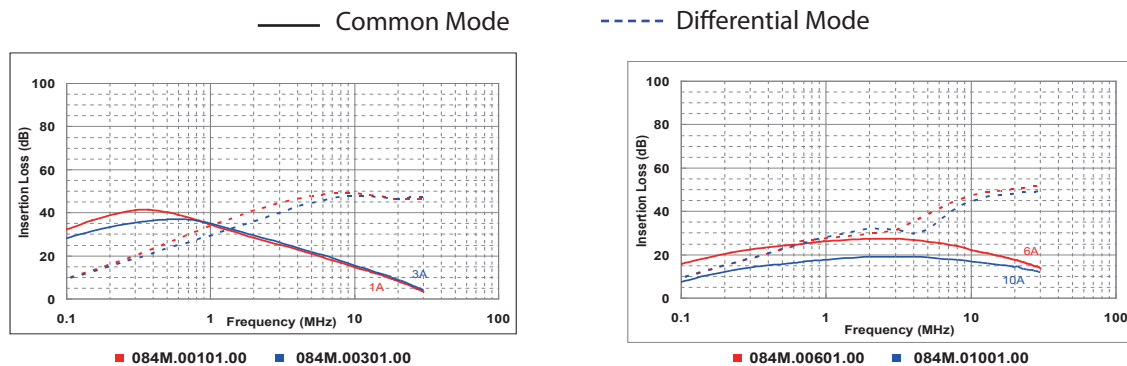
LCR 084M-RSI Mechanical Outlines



LCR 084M-RSI Mechanical Dimensions

Model No.	A	B	C	D	E	F	G	H	R	S	T	U	r
084M.00101.00-RSI	43.7	60.6	32	72	61	82	2*Φ4.0	8.8	2.5	61	30.0	72	2.1
084M.00301.00-RSI	43.7	60.6	32	72	61	82	2*Φ4.0	8.8	2.5	61	30.0	72	2.1
084M.00302.00-RSI	46.0	53.0	29	40	61	55	2*Φ3.2	8.5	2.5	56	29.5	40	1.6
084M.00601.00-RSI	43.7	60.6	32	72	61	82	2*Φ4.0	8.8	2.5	61	30.0	72	2.1
084M.01001.00-RSI	43.7	60.6	32	72	61	82	2*Φ4.0	8.8	2.5	61	30.0	72	2.1

LCR 084M-RSI Insertion Loss in dB Measured in a 50 Ω System



Specifications are subject to change. Consult factory to verify specifications.

Contact Astrodyne TDI (Radius Power, LCR, & Filter Concepts): (908) 850-5088 or EMfiltersales@astrodynetdi.com

Mouser Electronics

Authorized Distributor

Click to View Pricing, Inventory, Delivery & Lifecycle Information:

[Astrodyne TDI:](#)

[084M.00101.00-RSI](#) [084M.00301.00-RSI](#) [084M.00601.00-RSI](#) [084M.01001.00-RSI](#)