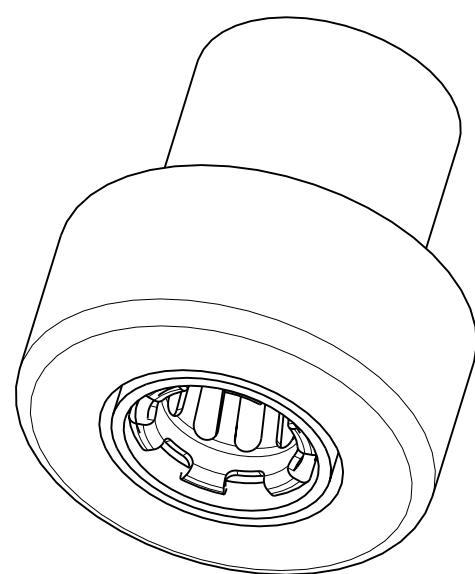
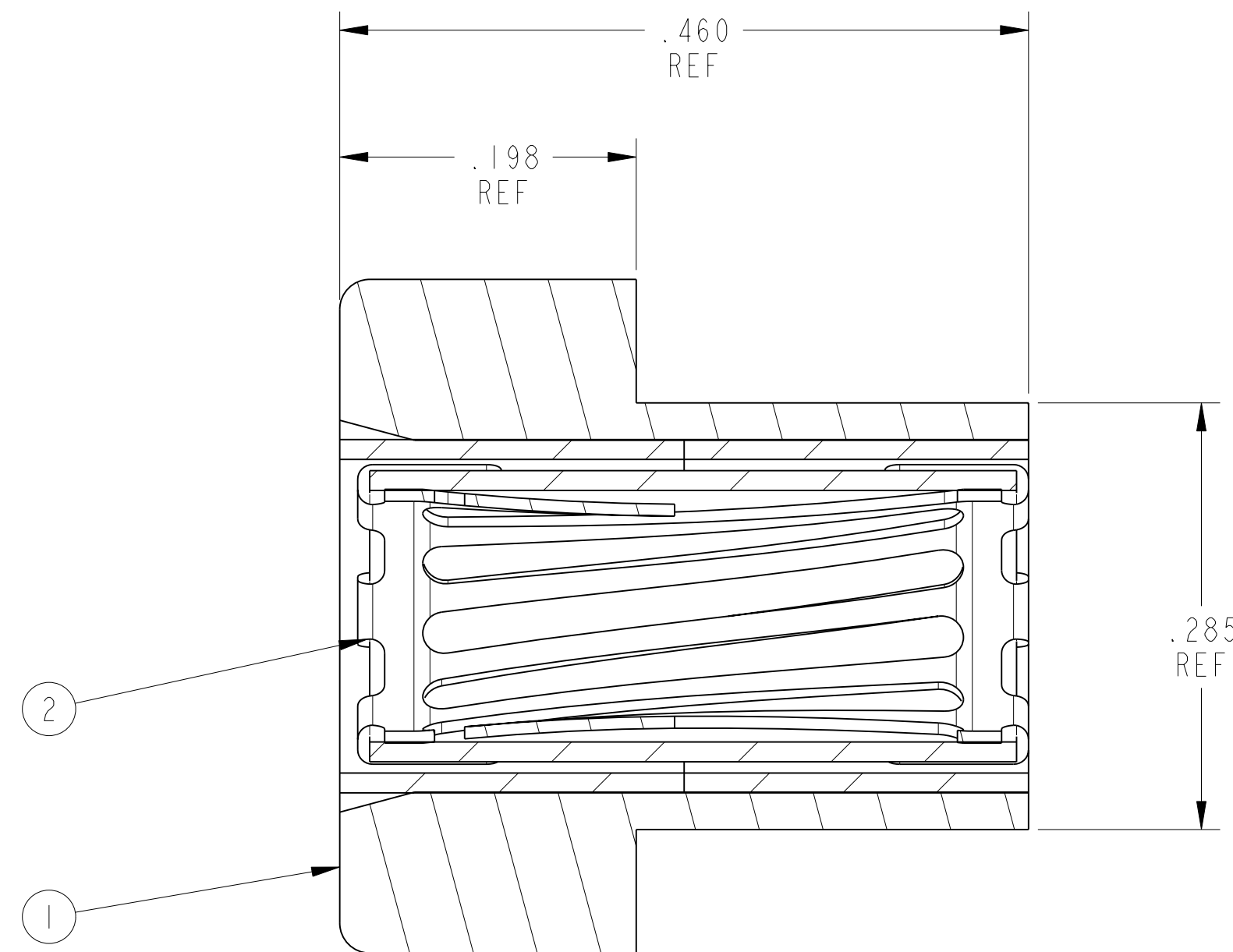
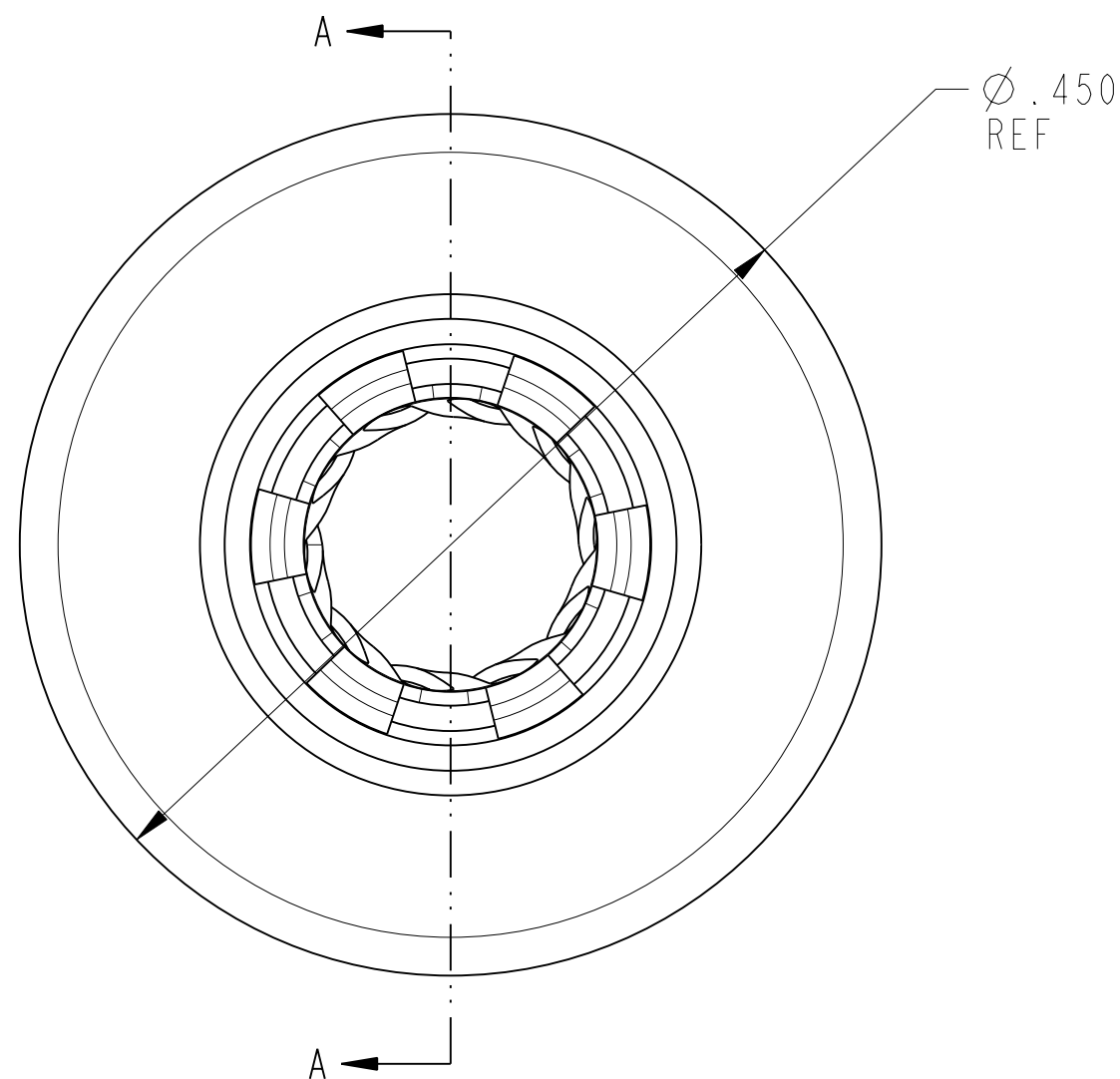


REV. A	SHEET 1 OF 1	DOCUMENT NO. 10-642865-001
REVISIONS		
LTR	DESCRIPTION	DATE
A	INITIAL RELEASE	



SCALE 5.000



SECTION A-A

- 3) RADSERT TO BE INSERTED INTO .305 +/- .003 FINISHED PTH THEN SOLDERED
- 2) SILVER PLATE PER 9-9417-1
- 1) APPROX. SURFACE AREA: 2.670 SQ. IN.

NOTES:

THE USE OF THIS DOCUMENT IS UNLIMITED. HOWEVER, DOCUMENTS REFERENCED HEREON MAY CONTAIN LIMITED RIGHTS DATA.

RELEASED / Jun . 22 2007, 04:17 PM

DOCUMENT NO. 10-642865-001

SHEET 1 OF 1

REV. A

PRO/ENGINEER INFORMATION
 Pro/e Model Used:
 10-642865-001.ASSEM
 Drawing Name:
 10-642865-001

N/A

NEXT ASSEMBLY

UNLESS OTHERWISE SPECIFIED

LINEAR DIMENSIONS ARE IN INCHES
 TOLERANCES:
 .XXXX = ±.0005 ANGLES= ±2°
 .XXX = ±.010
 .XX = ±.03
 .X = ±.1

DIM. & TOL. PER ASME Y14.5M;
 DRM PER MIL-DTL-31000;
 OTHER Amphenol Stds. PER 9-3800
 LEGENDS:
 =FLAG NOTE CALL OUT REFERENCE ONLY

SPECIFICATIONS

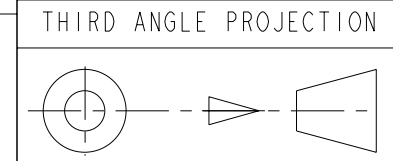
MATERIAL SPEC.
 N/A

PROCESS SPEC.

SEE NOTE #2

POS	QTY	PART NUMBER	DESCRIPTION	NOTE
2	1	10-639358-00B	3.6MM SHORT RADSOK	
1	1	10-639968-00B	3.6MM RADSERT HOLDER	

APPROVALS		DATE
PREPARED BY	M. UPPLERGER	08-Mar-07
ENGINEER IN CHARGE	J. SANDBURG	
DESIGN MANAGER	N/A	
DESIGN ACTIVITY GROUP	C&I	



AMPHENOL CORPORATION
 40-60 DELAWARE AVENUE
 SIDNEY, N.Y. 13858

**3.6MM RADSOK RADSERT ASSEMBLY
 SOLDER VERSION MATES WITH 3.6MM PIN**

SIZE C	CAGE CODE 77820	DOCUMENT NO. 10-642865-001	REV. A
SCALE: 10.0		REF.	SHEET 1 OF 1

DOCUMENT NO. 10-642865-001

SHEET 1 OF 1

REV. A

RELEASE STATE Released

REVISION A
 VERSION 0

REV. A

SHEET 1 OF 1

DOCUMENT NO. 10-642865-001

SHEET 1 OF 1

REV. A

SHEET 1 OF 1

Mouser Electronics

Authorized Distributor

Click to View Pricing, Inventory, Delivery & Lifecycle Information:

[Amphenol:](#)

[C10-642865-001](#)