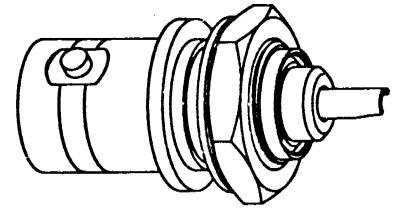


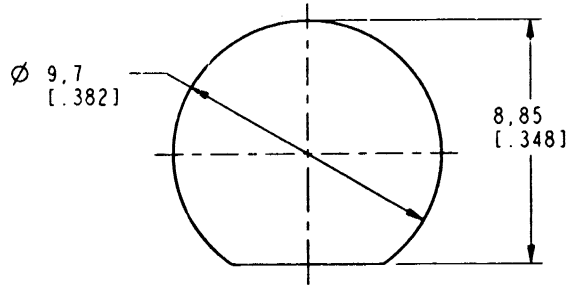
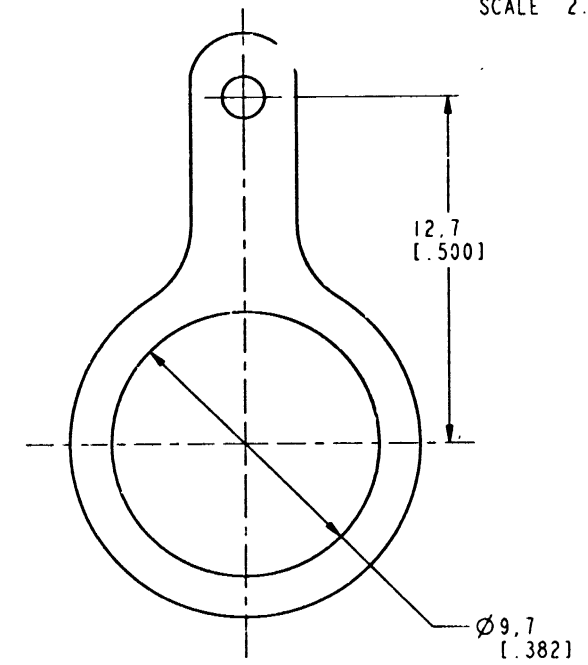
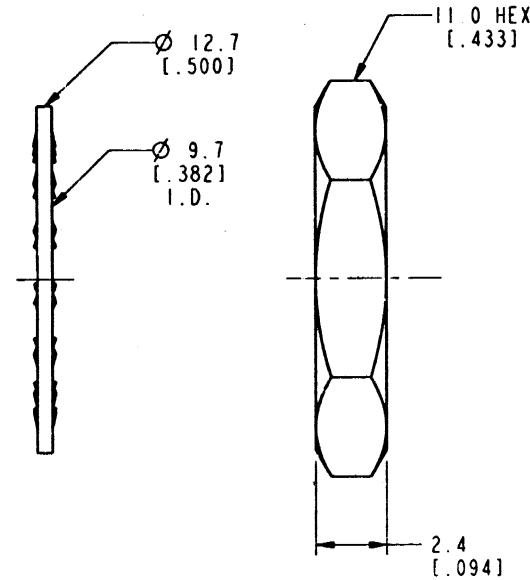
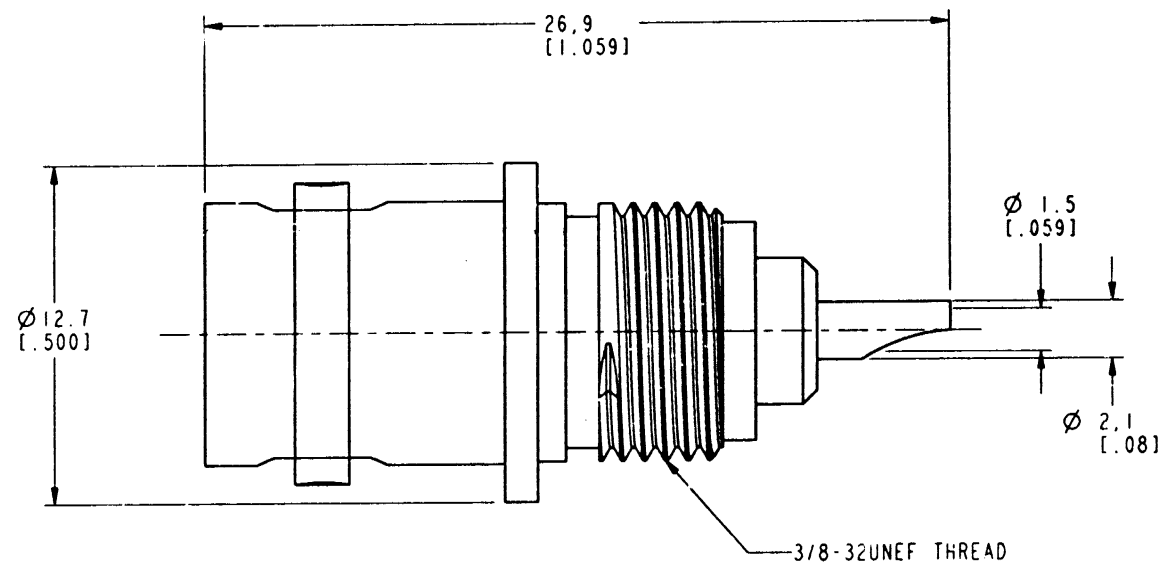
NOTES:

- 1. MATERIALS AND FINISHES:
 BODY = ZINC DIE CAST, NICKEL PLATED
 LOCKWASHER & SOLDER TAG = BRASS, NICKEL PLATED
 CONTACT PIN = PHOSPHOR BRONZE, GOLD PLATED
 HEX NUT = CARBON STEEL, NICKEL PLATED
 INSULATOR = DELRIN, COLOR NATURAL

31-221-RFX		REVISIONS			
DRAWING NO.	REV	DESCRIPTION	DATE	ECO	APPR
THIRD ANGLE PROJ.	A	RELEASE TO MFG.	5/3/91	38063	DR
	H	SEE SHEET 1	4/24/00	73339	CPM



SCALE 2.000



RECOMMENDED MOUNTING HOLE DIMENSIONS
SCALE 4.000

CUSTOMER OUTLINE DRAWING
FOR REFERENCE ONLY

UNLESS OTHERWISE SPECIFIED, DIMENSIONS ARE IN INCHES AND TOLERANCES ARE: 0.5 - 6mm ±0.2mm 6 - 30mm ±0.4mm 30 - 120mm ±0.6mm	MATERIAL	DRAWN C. McGRATH	DATE 18-Apr-00	TITLE BNC BULKHEAD RECEPTACLE JACK	Amphenol Amphenol Corporation Communication and Network Products Division Danbury, CT U.S.A 06810		
	REFERENCE EAR 962370-0 & 967506-0 GEN# ASSYF15.BNC	ENGINEER T. AUBIN	DATE 18-Apr-00			SCALE: 4.0:1 SHEET 2 OF 2	
NOTICE - These drawings, specifications, or other data (1) are, and remain the property of Amphenol Corp. (2) must be returned upon request; and (3) are confidential and not to be disclosed to any person other than those to whom they are given by Amphenol Corp. The furnishing of these drawings, specifications, or other data by Amphenol Corp., or to any other person to anyone for any purpose is not to be regarded by implication or otherwise in any manner licensing, granting rights or permitting such holder or any other person to manufacture, use or sell any product, process or design, patented or otherwise, that may in any way be related to or disclosed by said drawings, specifications, or other data		APPROVED 	DATE 4/24/00	CODE ID 74868	DWG SIZE B	DRAWING NO. 31-221-RFX	REV H

Mouser Electronics

Authorized Distributor

Click to View Pricing, Inventory, Delivery & Lifecycle Information:

[Amphenol:](#)

[031-221-RFX](#)