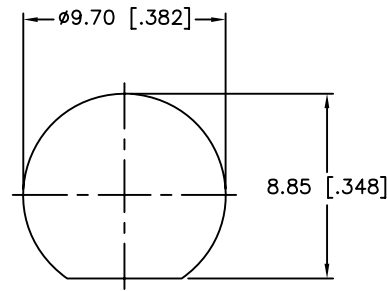
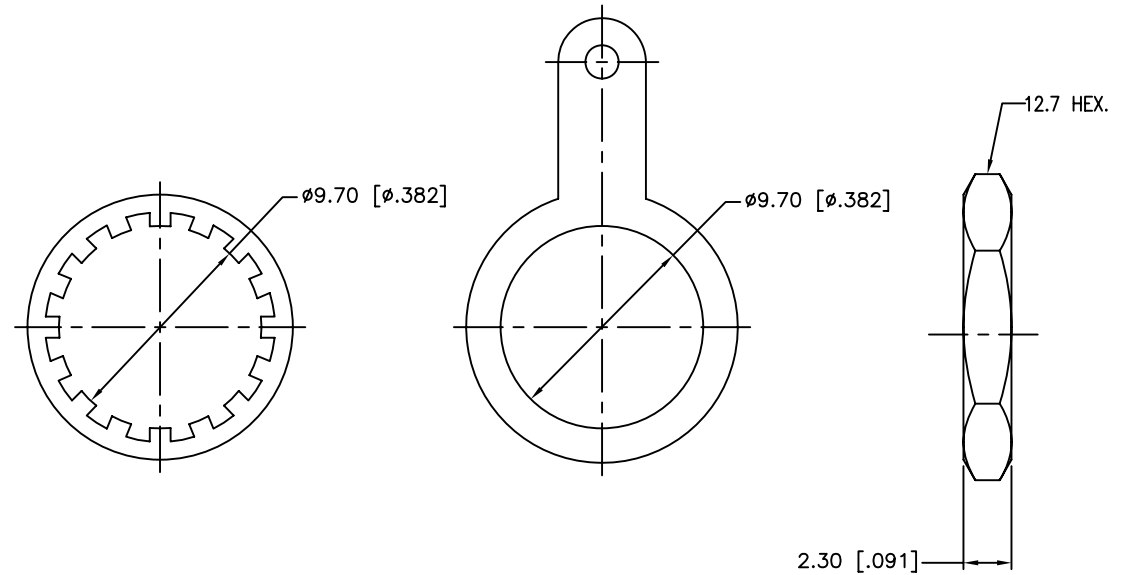
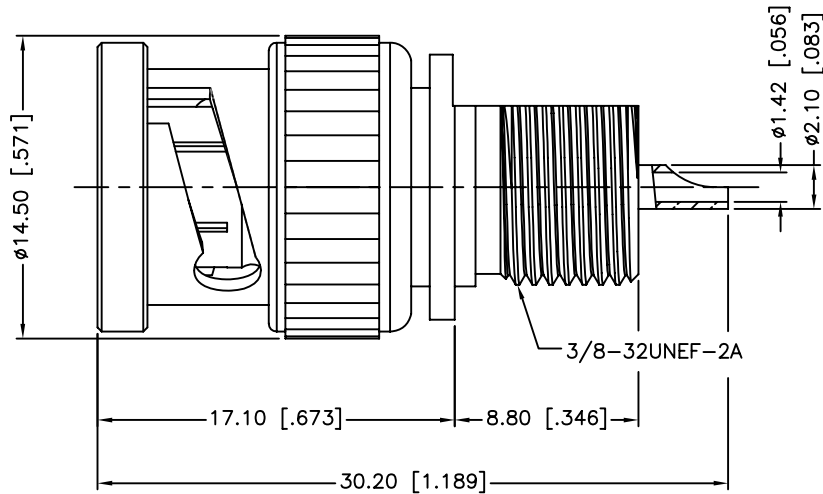


REV.	DATE	ECR NO.	DESCRIPTION
NC	03/10/01	XXXXXX	INITIAL RELEASE
A	11/16/05	XXXXXX	UPDATE DRAWING FORMAT
B	06/03/10	2057	THE MATERIAL OF INSULATOR WAS CHANGED TO PTFE & DELRIN



RECOMMENDED
MOUNTING HOLE



				APPROVALS	DATE	<h1>Amphenol Connex</h1>				
				DRAWN	M.ZHANG					06/03/10
				CHECKED			PART NO. 112420			
				ISSUED						
				SHEET	1 OF 1		REV. B SIZE A SCALE NA			
				CAD FILE	C:/CONNEX/112420.DWG					
6	SOLDER TAG	BRASS	NICKEL	1	<p>UNLESS OTHERWISE SPECIFIED DIMENSIONS ARE IN MILLIMETERS. DIMENSIONS IN [] ARE IN INCHES AND FOR CUSTOMER REFERENCE ONLY.</p> <p>UNLESS OTHERWISE SPECIFIED TOLERANCES FOR MILLIMETERS ARE: 0.5 - 8mm ± 0.20mm 8 - 30mm ± 0.40mm 30 - 120mm ± 0.50mm</p> <p>UNLESS OTHERWISE SPECIFIED TOLERANCES FOR INCHES ARE: .020 - .315 ± 0.007" .315 - 1.180 ± 0.015" 1.180 - 4.724 ± 0.020"</p> <p>DO NOT SCALE DRAWING</p>					
5	HEX NUT	BRASS	NICKEL	1						
4	LOCK WASHER	BRASS	NICKEL	1						
3	CONTACT PIN	BRASS	GOLD	1						
2	INSULATOR	PTFE & DELRIN	NATURAL	1						
1	BODY	BRASS	NICKEL	1						
	DESCRIPTION	MATERIAL	FINISH	QTY						

Mouser Electronics

Authorized Distributor

Click to View Pricing, Inventory, Delivery & Lifecycle Information:

[Amphenol:](#)

[112420](#)