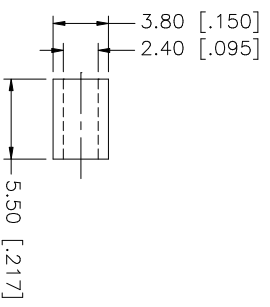
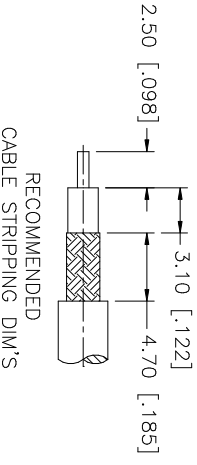
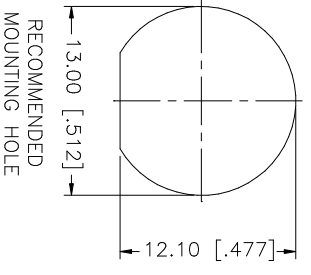
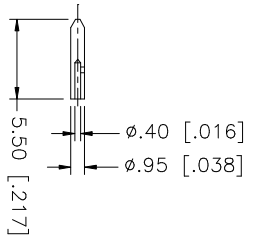
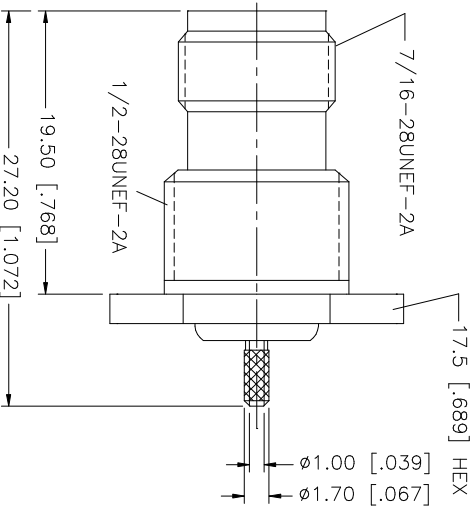
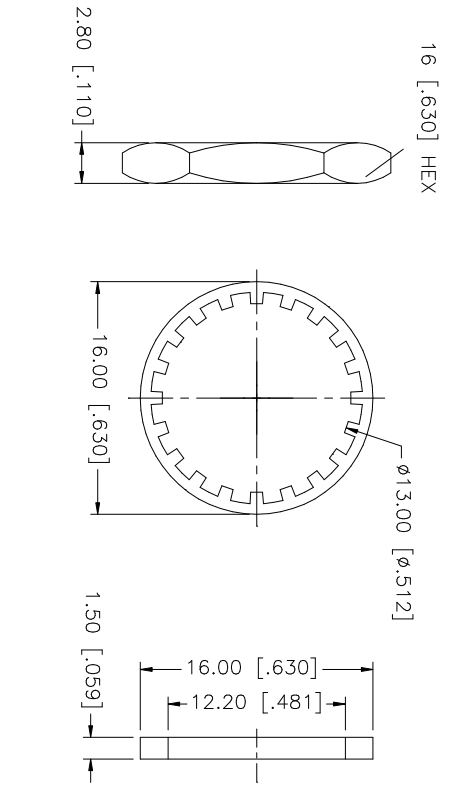


REV.	DATE	DESCRIPTION
A	06/29/04	UPDATE DRAWING FORMAT
B	03/27/05	ADD 17.5 HEX DIMNSION



CRIMP NOTES:

1. CRIMPED FERRULE
HEX CRIMP SIZE .128"
2. CRIMPED CONTACT PIN
SQ. CRIMP SIZE .7mm
3. MAX. PANEL THICKNESS= 5.5mm

QTY	DESCRIPTION	MATERIAL	FINISH	UNLESS OTHERWISE SPECIFIED DIMENSIONS ARE IN MILLIMETERS. DIMENSIONS IN [] ARE IN INCHES AND FOR CUSTOMER REFERENCE ONLY. TOLERANCES FOR MILLIMETERS ARE:	DO NOT SCALE DRAWING	APPROVALS	DATE	PART DESCRIPTION
1	FERRULE	COPPER	NICKEL	UNLESS OTHERWISE SPECIFIED TOLERANCES FOR MILLIMETERS ARE: 0.5 - 8mm ± 0.20mm 8 - 30mm ± 0.40mm 30 - 120mm ± 0.50mm	CAD FILE C:/122/122370.DWG	G.R.S.	03/27/05	TNC BULKHEAD CRIMP JACK (FOR RG-178B/U, 196A/U CABLE)
1	HEX NUT	BRASS	NICKEL	UNLESS OTHERWISE SPECIFIED TOLERANCES FOR INCHES ARE: .020 - .315 = ± 0.007" .315 - 1.180 = ± 0.015" 1.180 - 4.724 = ± 0.020"	DWG. NO. 122370.DWG			
1	LOCK WASHER	BRASS	NICKEL		REV. B			
1	GASKET	RUBBER	RED		SIZE A			
1	CONTACT PIN	BRASS	GOLD		SCALE NA			
1	INSULATOR	DELIRIN	NATURAL					
1	BODY	BRASS	NICKEL					
	DESCRIPTION							

Amphenol Connex

122370

Mouser Electronics

Authorized Distributor

Click to View Pricing, Inventory, Delivery & Lifecycle Information:

[Amphenol:](#)

[122370](#)