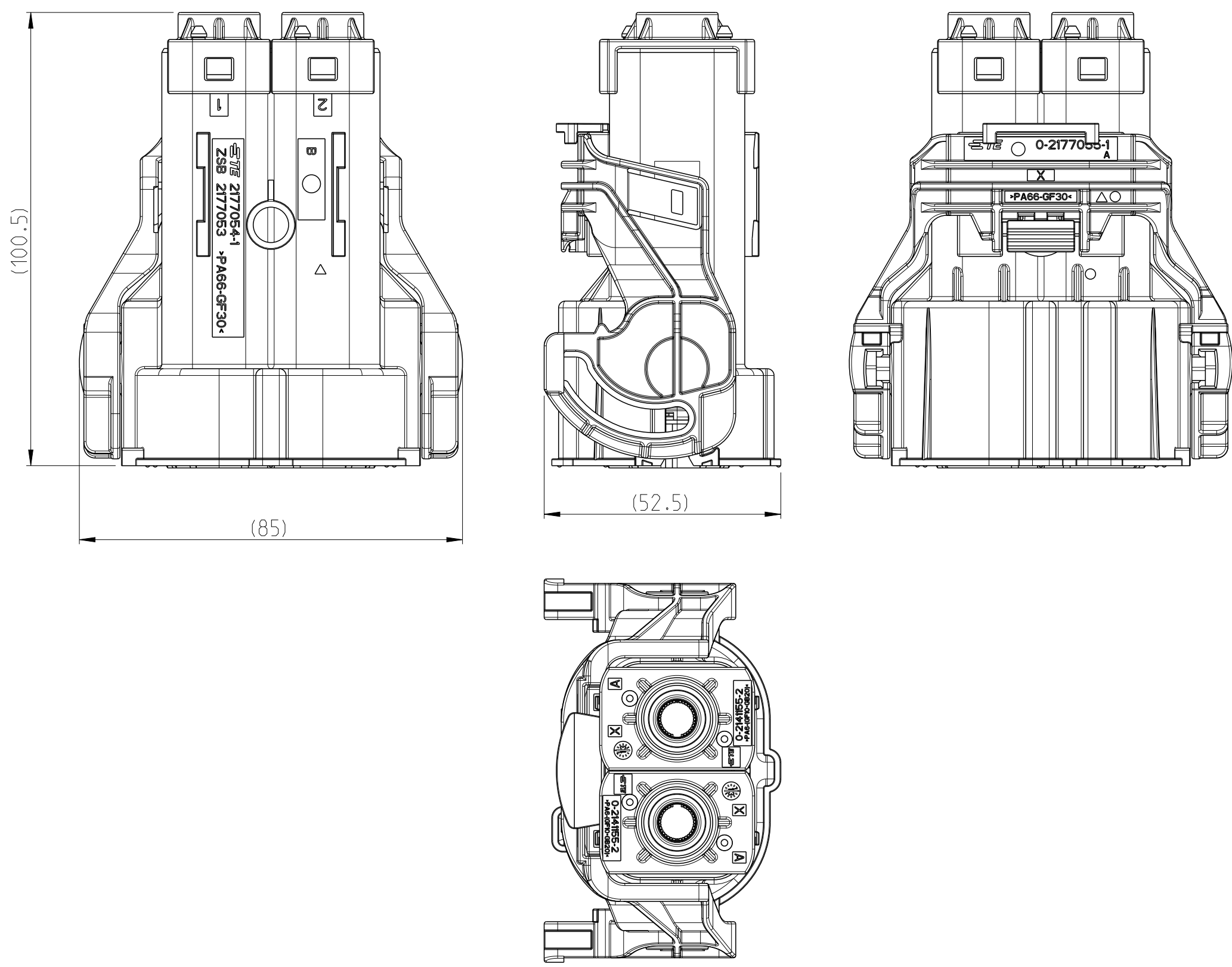
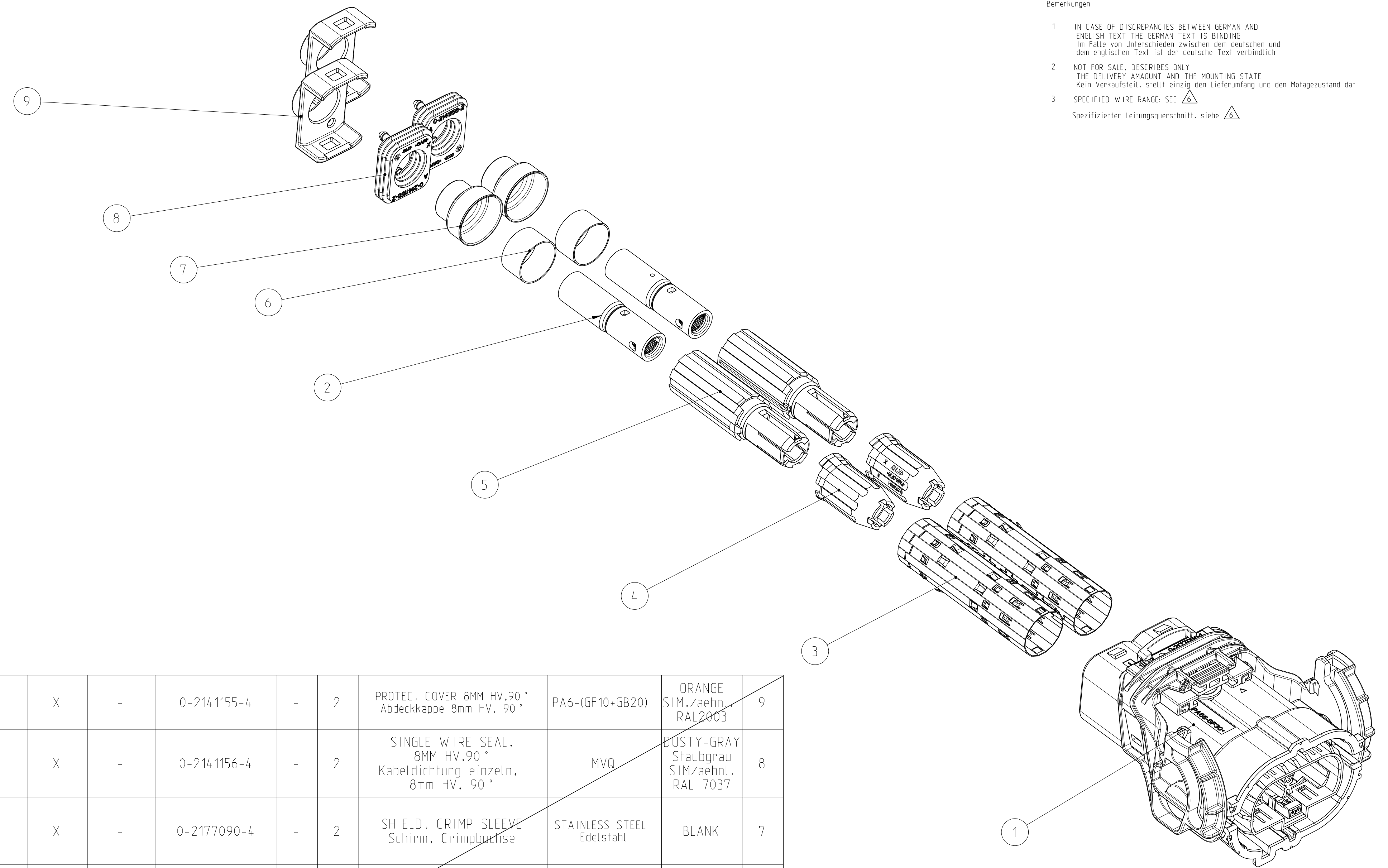
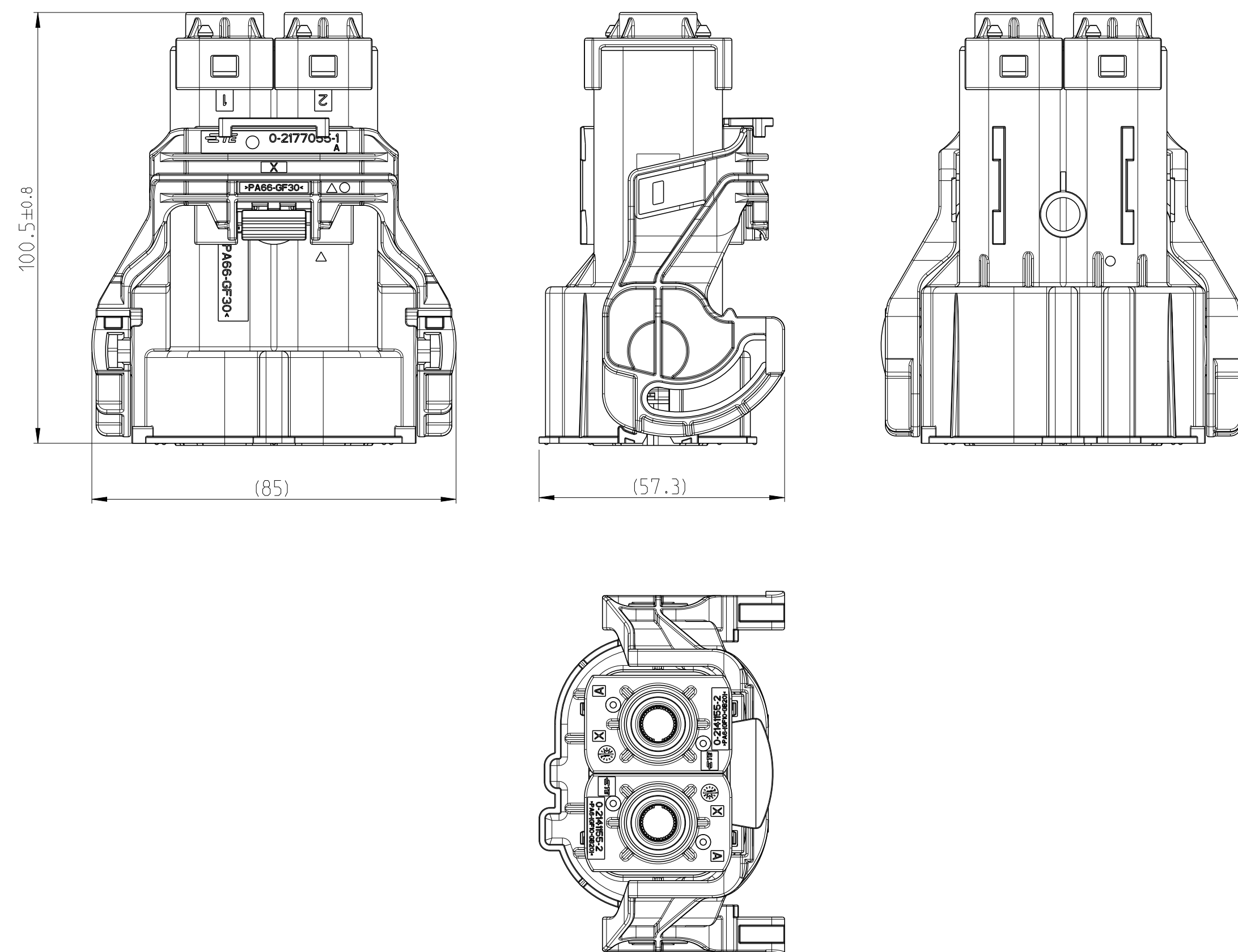


LEVER OPERATION SIDE ○  
Hebel Betaetigungsseite



LEVER OPERATION SIDE △  
Hebel Betaetigungsseite



REV. NO.	DATE	DESCRIPTION	BY	APP'D
A	19DEC2014	New Drawing	JTO	DHV
A1	19MAY2015	Drawing updated	W.S.A.	DHV
A2	09DEC2015	Table updated	W.S.A.	DHV

NOTES  
Bemerkungen

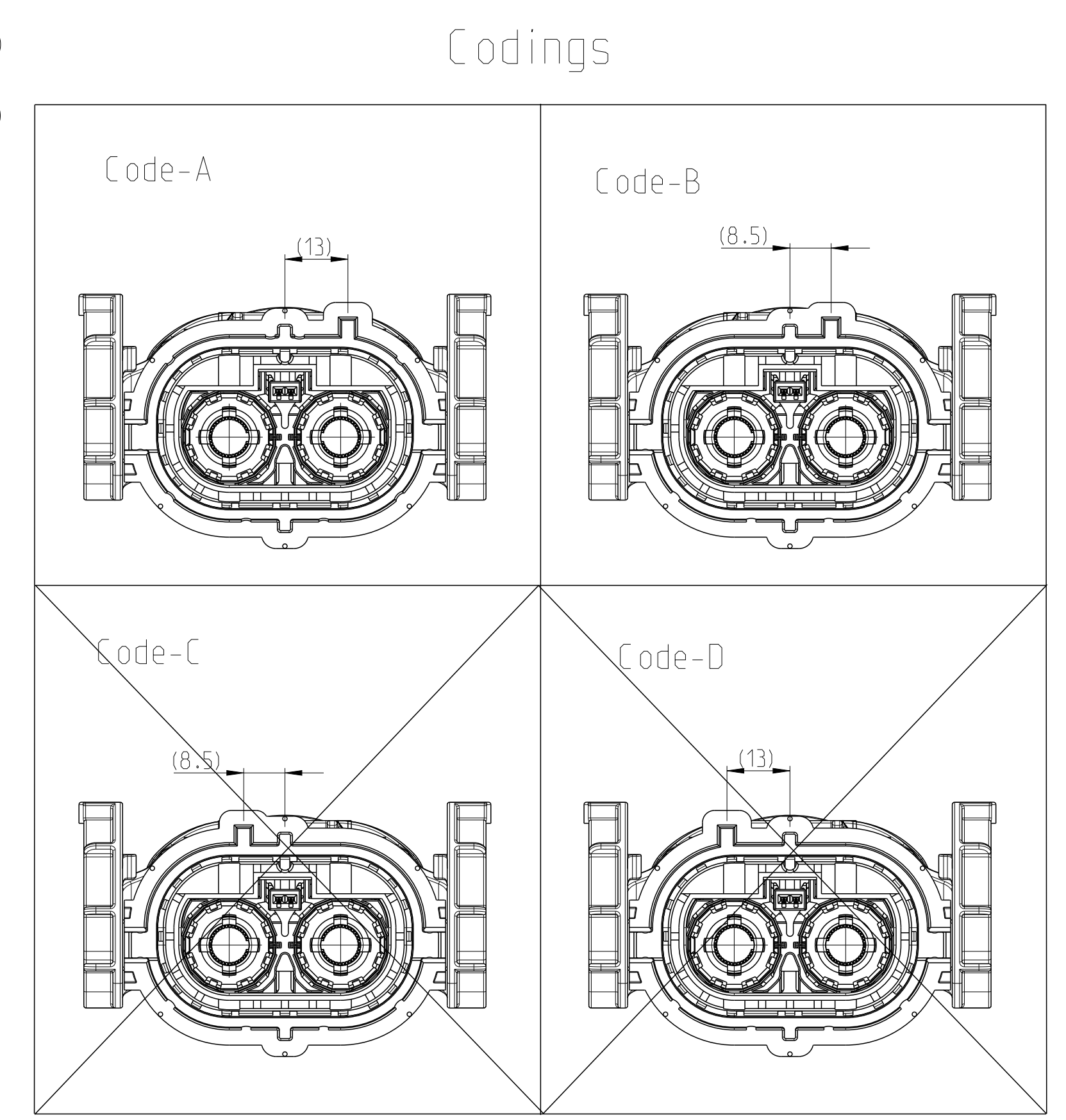
- IN CASE OF DISCREPANCIES BETWEEN GERMAN AND ENGLISH TEXT THE GERMAN TEXT IS BINDING. Im Falle von Unstimmigkeiten zwischen dem Deutschen und dem Englischen Text ist der Deutsche Text verbindlich.
- NOT FOR SALE, DESCRIBES ONLY THE DELIVERY AMOUNT AND THE MOUNTING STATE. Kein Verkaufszustell, zeigt einzig den Lieferumfang und den Montagezustand dar.
- SPECIFIED WIRE RANGE: SEE △. Spezifizierter Leiterquerschnitt, siehe △.

VERSION	LEVER OPERATION SIDE ○ Hebel Betaetigungsseite				LEVER OPERATION SIDE △ Hebel Betaetigungsseite				MASS (g) Masse (g)	TE ORDER-NO. Bestell-Nr.:	CODE	QTY	PART DESCRIPTION Benennung Einzelteil	MATERIAL Werkstoff	COLOUR Farbe	ITEM	
	CODE A	CODE B	CODE C	CODE D	CODE A	CODE B	CODE C	CODE D									
X	X	X	X	X	X	X	X	X	-	0-2141155-2	-	2	PROTEC. COVER 8MM HV, 90° Abdeckkappe 8mm HV, 90°	PA6-(GF10+GB20)	ORANGE SIM./aehnl. RAL2003	9	
X	X	X	X	X	X	X	X	X	-	0-2141156-2	-	2	SINGLE WIRE SEAL. 8MM HV, 90° Kabeldichtung einzeln. 8mm HV, 90°	MVQ	NATURAL Transparent	8	
X	X	X	X	X	X	X	X	X	-	0-2177090-2	-	2	SHIELD, CRIMP SLEEVE Schirm, Crimpbuchse	STAINLESS STEEL Edelstahl	BLANK	7	
X	X	X	X	X	X	X	X	X	-	0-2177061-1	-	2	SHIELD CRIMP FERRULE, INNER Untercrimpferrule	STAINLESS STEEL Edelstahl	BLANK	6	
X	X	X	X	X	X	X	X	X	-	0-2177058-1	-	2	INSULATION INSERT 180° Isolationskörper 180°	PA66-GF30		5	
X	X	X	X	X	X	X	X	X	-	0-2177059-1	-	2	FINGER PROT. CAP 8MM HV, 180° Fingerschutzkappe 8mm HV, 180°	PA66-GF30	ORANGE SIM./aehnl. RAL2003	4	
X	X	X	X	X	X	X	X	X	-	0-2177060-3	-	2	SHIELDING SLEEVE, 180° Schirmhülse, 180°	CU - ALLOY Cu - Legierung	SELECTED SILVER- PLATED	3	
X	X	X	X	X	X	X	X	X	-	0-2177590-1	-	2	TURNED CONTACT 180° Drehkontakt 180°	siehe C-2177590		2	
-	-	-	-	-	-	-	-	-	-	1-2177053-8	D						
-	-	-	-	-	-	-	-	-	-	1-2177053-6	C						
-	-	-	-	-	-	-	-	-	-	1-2177053-4	B						
X	-	-	-	-	-	-	-	-	-	1-2177053-2	A						
-	-	-	-	-	-	-	-	X	-	1-2177053-7	D						
-	-	-	-	-	-	-	-	X	-	1-2177053-5	C						
-	-	-	-	-	-	X	-	-	-	1-2177053-3	B						
-	-	-	-	-	X	-	-	-	-	1-2177053-1	A						

VERSION	LEVER OPERATION SIDE ○ Hebel Betaetigungsseite				LEVER OPERATION SIDE △ Hebel Betaetigungsseite				MASS (g) Masse (g)	TE ORDER-NO. Bestell-Nr.:	CODE	QTY	PART DESCRIPTION Benennung Einzelteil	MATERIAL Werkstoff	COLOUR Farbe	ITEM	
	CODE A	CODE B	CODE C	CODE D	CODE A	CODE B	CODE C	CODE D									
X	X	X	X	X	X	X	X	X	-	0-2141155-1	-	2	PROTEC. COVER 8MM HV, 90° Abdeckkappe 8mm HV, 90°	PA6-(GF10+GB20)	ORANGE SIM./aehnl. RAL2003	9	
X	X	X	X	X	X	X	X	X	-	0-2141156-1	-	2	SINGLE WIRE SEAL. 8MM HV, 90° Kabeldichtung einzeln. 8mm HV, 90°	MVQ	GRASS GREEN Grasgruen SIM./aehnl. RAL 6010	8	
X	X	X	X	X	X	X	X	X	-	0-2177090-1	-	2	SHIELD, CRIMP SLEEVE Schirm, Crimpbuchse	STAINLESS STEEL Edelstahl	BLANK	7	
X	X	X	X	X	X	X	X	X	-	0-2177061-1	-	2	SHIELD CRIMP FERRULE, INNER Untercrimpferrule	STAINLESS STEEL Edelstahl	BLANK	6	
X	X	X	X	X	X	X	X	X	-	0-2177058-1	-	2	INSULATION INSERT 180° Isolationskörper 180°	PA66-GF30		5	
X	X	X	X	X	X	X	X	X	-	0-2177059-1	-	2	FINGER PROT. CAP 8MM HV, 180° Fingerschutzkappe 8mm HV, 180°	PA66-GF30	ORANGE SIM./aehnl. RAL2003	4	
X	X	X	X	X	X	X	X	X	-	0-2177060-3	-	2	SHIELDING SLEEVE, 180° Schirmhülse, 180°	CU - ALLOY Cu - Legierung	SELECTED SILVER- PLATED	3	
X	X	X	X	X	X	X	X	X	-	0-2177592-1	-	2	TURNED CONTACT 180° Drehkontakt 180°	siehe C-2177592		2	
-	-	-	-	-	-	-	-	-	-	1-2177053-8	D						
-	-	-	-	-	-	-	-	-	-	1-2177053-6	C						
-	-	-	-	-	-	-	-	-	-	1-2177053-4	B						
X	-	-	-	-	-	-	-	-	-	1-2177053-2	A						
-	-	-	-	-	-	-	-	X	-	1-2177053-7	D						
-	-	-	-	-	-	-	-	X	-	1-2177053-5	C						
-	-	-	-	-	-	X	-	-	-	1-2177053-3	B						
-	-	-	-	-	X	-	-	-	-	1-2177053-1	A						

VERSION	LEVER OPERATION SIDE ○ Hebel Betaetigungsseite				LEVER OPERATION SIDE △ Hebel Betaetigungsseite				MASS (g) Masse (g)	TE ORDER-NO. Bestell-Nr.:	CODE	QTY	PART DESCRIPTION Benennung Einzelteil	MATERIAL Werkstoff	COLOUR Farbe	ITEM	
	CODE A	CODE B	CODE C	CODE D	CODE A	CODE B	CODE C	CODE D									
X	X	X	X	X	X	X	X	X	-	0-2141155-4	-	2	PROTEC. COVER 8MM HV, 90° Abdeckkappe 8mm HV, 90°	PA6-(GF10+GB20)	ORANGE SIM./aehnl. RAL2003	9	
X	X	X	X	X	X	X	X	X	-	0-2141156-4	-	2	SINGLE WIRE SEAL. 8MM HV, 90° Kabeldichtung einzeln. 8mm HV, 90°	MVQ	DUSTY-GRAY Staubgrau SIM./aehnl. RAL 7037	8	
X	X	X	X	X	X	X	X	X	-	0-2177090-4	-	2	SHIELD, CRIMP SLEEVE Schirm, Crimpbuchse	STAINLESS STEEL Edelstahl	BLANK	7	
X	X	X	X	X	X	X	X	X	-	0-2177061-1	-	2	SHIELD CRIMP FERRULE, INNER Untercrimpferrule	STAINLESS STEEL Edelstahl	BLANK	6	
X	X	X	X	X	X	X	X	X	-	0-2177058-1	-	2	INSULATION INSERT 180° Isolationskörper 180°	PA66-GF30		5	
X	X	X	X	X	X	X	X	X	-	0-2177059-1	-	2	FINGER PROT. CAP 8MM HV, 180° Fingerschutzkappe 8mm HV, 180°	PA66-GF30	ORANGE SIM./aehnl. RAL2003	4	
X	X	X	X	X	X	X	X	X	-	0-2177060-3	-	2	SHIELDING SLEEVE, 180° Schirmhülse, 180°	CU - ALLOY Cu - Legierung	SELECTED SILVER- PLATED	3	
X	X	X	X	X	X	X	X	X	-	0-2177594-1	-	2	TURNED CONTACT 180° Drehkontakt 180°	siehe C-2177594		2	
-	-	-	-	-	-	-	-	-	-	1-2177053-8	D						
-	-	-	-	-	-	-	-	-	-	1-2177053-6	C						
-	-	-	-	-	-	-	-	-	-	1-2177053-4	B						
X	-	-	-	-	-	-	-	-	-	1-2177053-2	A						
-	-	-	-	-	-	-	-	X	-	1-2177053-7	D						
-	-	-	-	-	-	-	-	X	-	1-2177053-5	C						
-	-	-	-	-	-	X	-	-	-	1-2177053-3	B						
-	-	-	-	-	X	-	-	-	-	1-2177053-1	A						

VERSION	LEVER OPERATION SIDE ○ Hebel Betaetigungsseite				LEVER OPERATION SIDE △ Hebel Betaetigungsseite				MASS (g) Masse (g)	TE ORDER-NO. Bestell-Nr.:	CODE	QTY	PART DESCRIPTION Benennung Einzelteil	MATERIAL Werkstoff	COLOUR Farbe	ITEM	
	CODE A	CODE B	CODE C	CODE D	CODE A	CODE B	CODE C	CODE D									
X	X	X	X	X	X	X	X	X	-	0-2141155-3	-	2	PROTEC. COVER 8MM HV, 90° Abdeckkappe 8mm HV, 90°	PA6-(GF10+GB20)	ORANGE SIM./aehnl. RAL2003	9	
X	X	X	X	X	X	X	X	X	-	0-2141156-3	-	2	SINGLE WIRE SEAL. 8MM HV, 90° Kabeldichtung einzeln. 8mm HV, 90°	MVQ	WHITE/ Weiss SIM./aehnl. RAL 9010	8	
X	X	X	X	X	X	X	X	X	-	0-2177090-3	-	2	SHIELD, CRIMP SLEEVE Schirm, Crimpbuchse	STAINLESS STEEL Edelstahl	BLANK	7	
X	X	X	X	X	X	X	X	X	-	0-2177061-1	-	2	SHIELD CRIMP FERRULE, INNER Untercrimpferrule	STAINLESS STEEL Edelstahl	BLANK	6	
X	X	X	X	X	X	X	X	X	-	0-2177058-1	-	2	INSULATION INSERT 180° Isolationskörper 180°	PA66-GF30		5	
X	X	X	X	X	X	X	X	X	-	0-2177059-1	-	2	FINGER PROT. CAP 8MM HV, 180° Fingerschutzkappe 8mm HV, 180°	PA66-GF30	ORANGE SIM./aehnl. RAL2003	4	
X	X	X	X	X	X	X	X	X	-	0-2177060-3	-	2	SHIELDING SLEEVE, 180° Schirmhülse, 180°	CU - ALLOY Cu - Legierung	SELECTED SILVER- PLATED	3	
X	X	X	X	X	X	X	X	X	-	0-2177473-1	-	2	TURNED CONTACT 180° Drehkontakt 180°	siehe C-2177473		2	
-	-	-	-	-	-	-	-	-	-	1-2177053-8	D						
-	-	-	-	-	-	-	-	-	-	1-2177053-6	C						
-	-	-	-	-	-	-	-	-	-	1-2177053-4	B						
X	-	-	-	-	-	-	-	-	-	1-2177053-2	A						
-	-	-	-	-	-	-	-	X	-	1-2177053-7	D						
-	-	-	-	-	-	-	-	X	-	1-2177053-5	C						
-	-	-	-	-	-	X	-	-	-	1-2177053-3	B						
-	-	-	-	-	X	-	-	-	-	1-2177053-1	A						



NOTE Bem.	FEATURE Merkmal
△	PRODUCT-SPEC. 108-94297 Produkt-Spez.
△	APPLICATION SPEC. 114-94130 Verarbeitungsspez.

TOLERANZING ISO 8015  
TOLERIERUNG ISO 8015

THIS DRAWING IS A CONTROLLED DOCUMENT.  
DIMENSIONING AND TOLERANCING PER GPS ISO STANDARDS.

DATE: 19DEC2014  
DRAWN: JTO  
CHECKED: JTO  
APPROVED: JTO

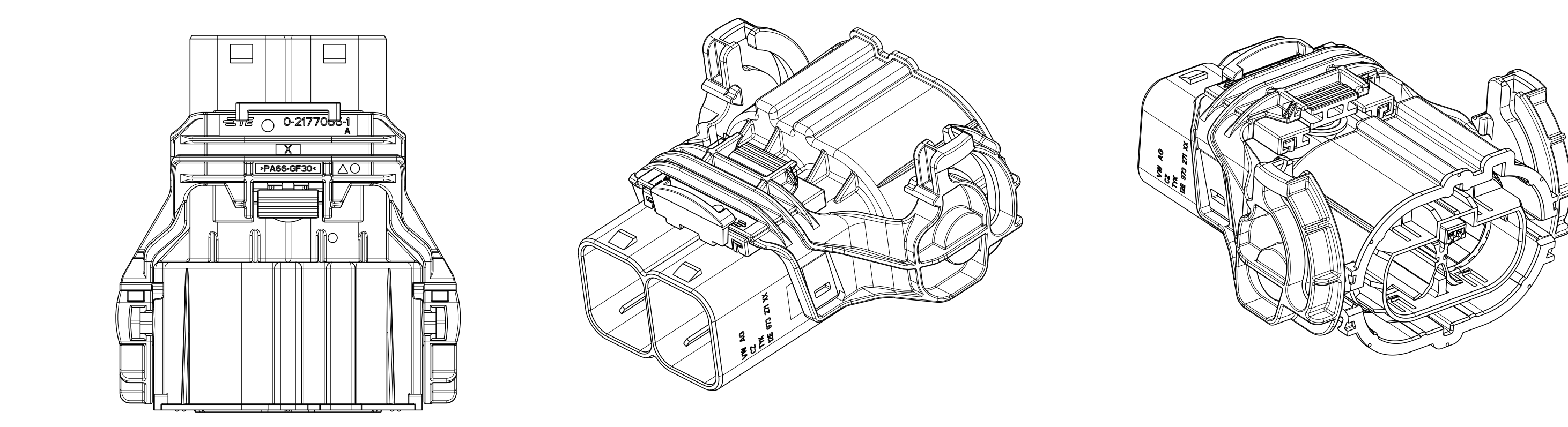
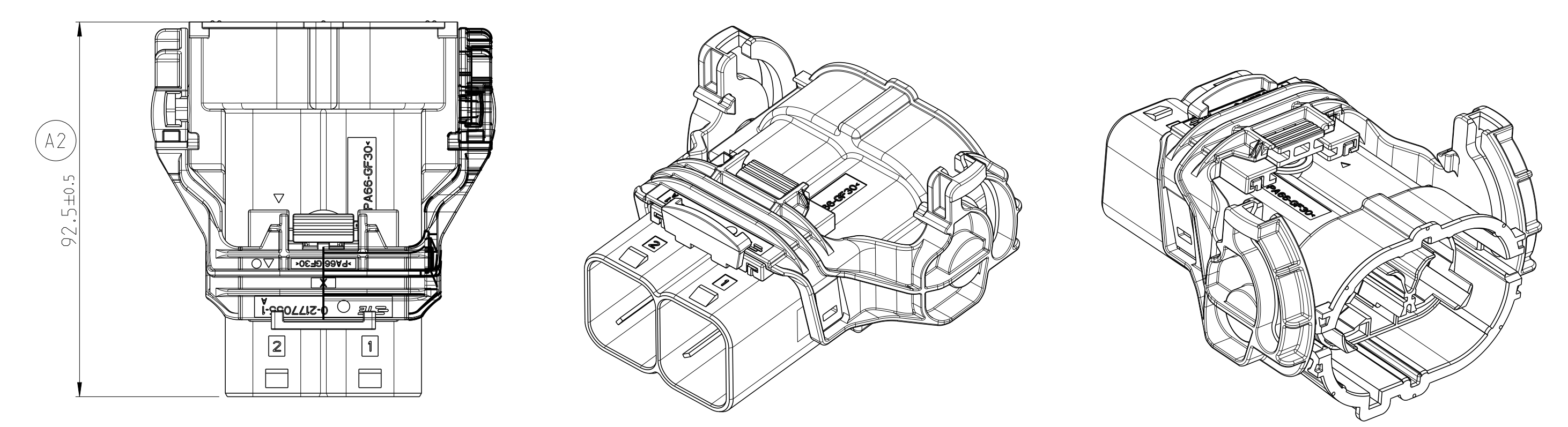
Customer Drawing

SCALE: 1:1  
SHEET: 1 OF 2

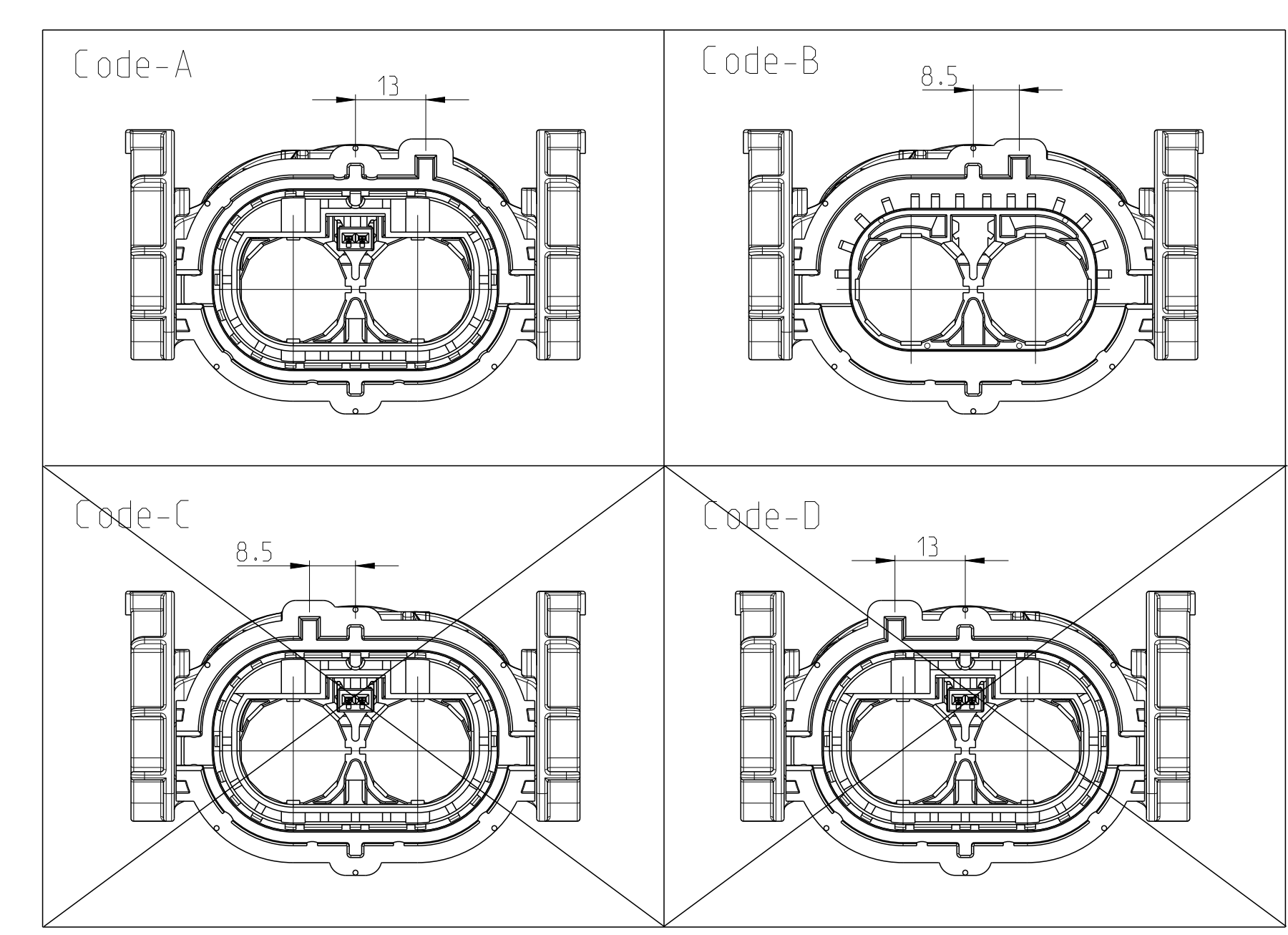
2POS 8MM HV KIT, 180DEG. SEALED  
2pol. 8mm HV Kit, 180Grad, gedichtet  
OVERVIEW / Ubersicht, ASSY

00779 ©=2177052

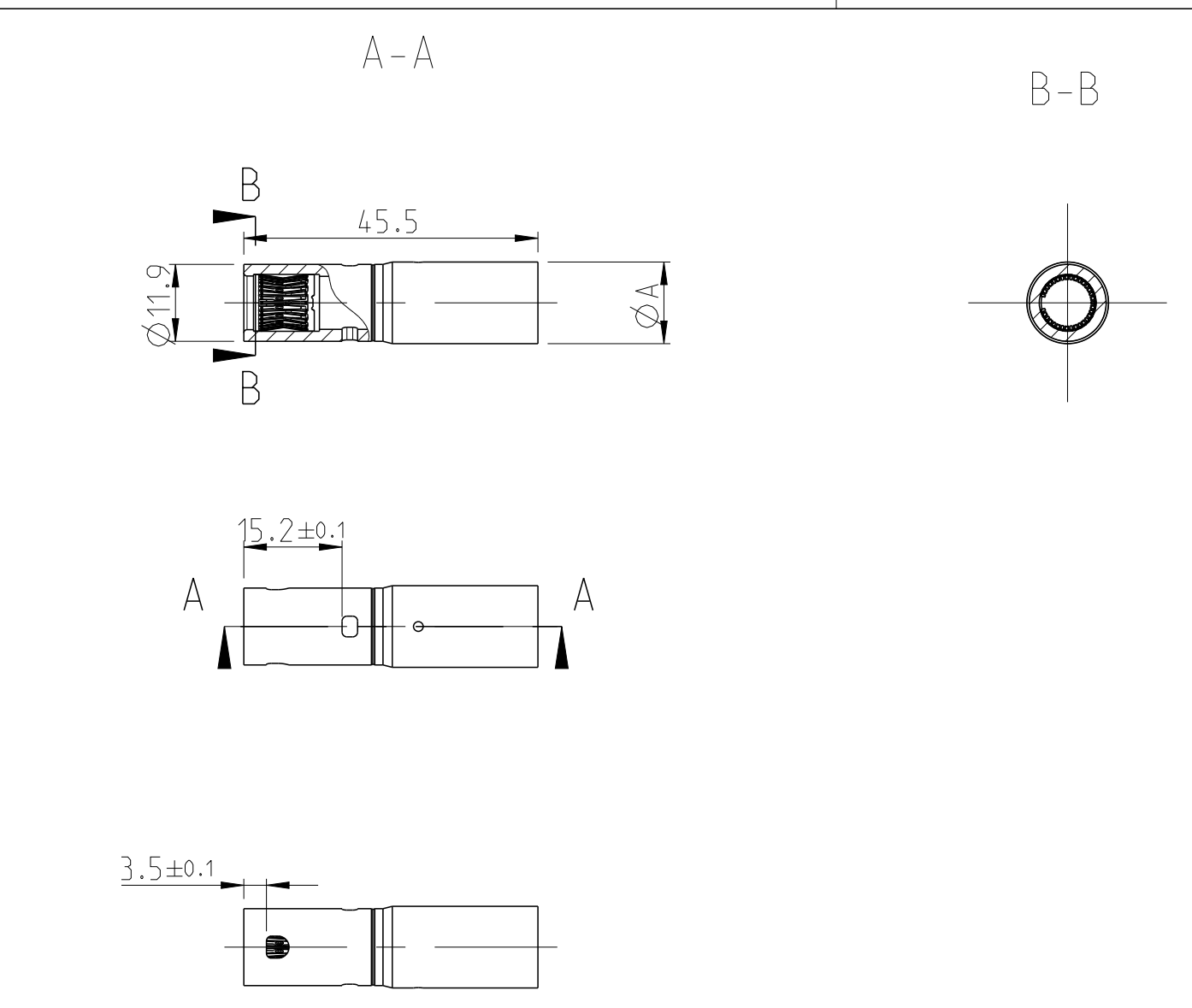




Codings  
 Scale 1:1

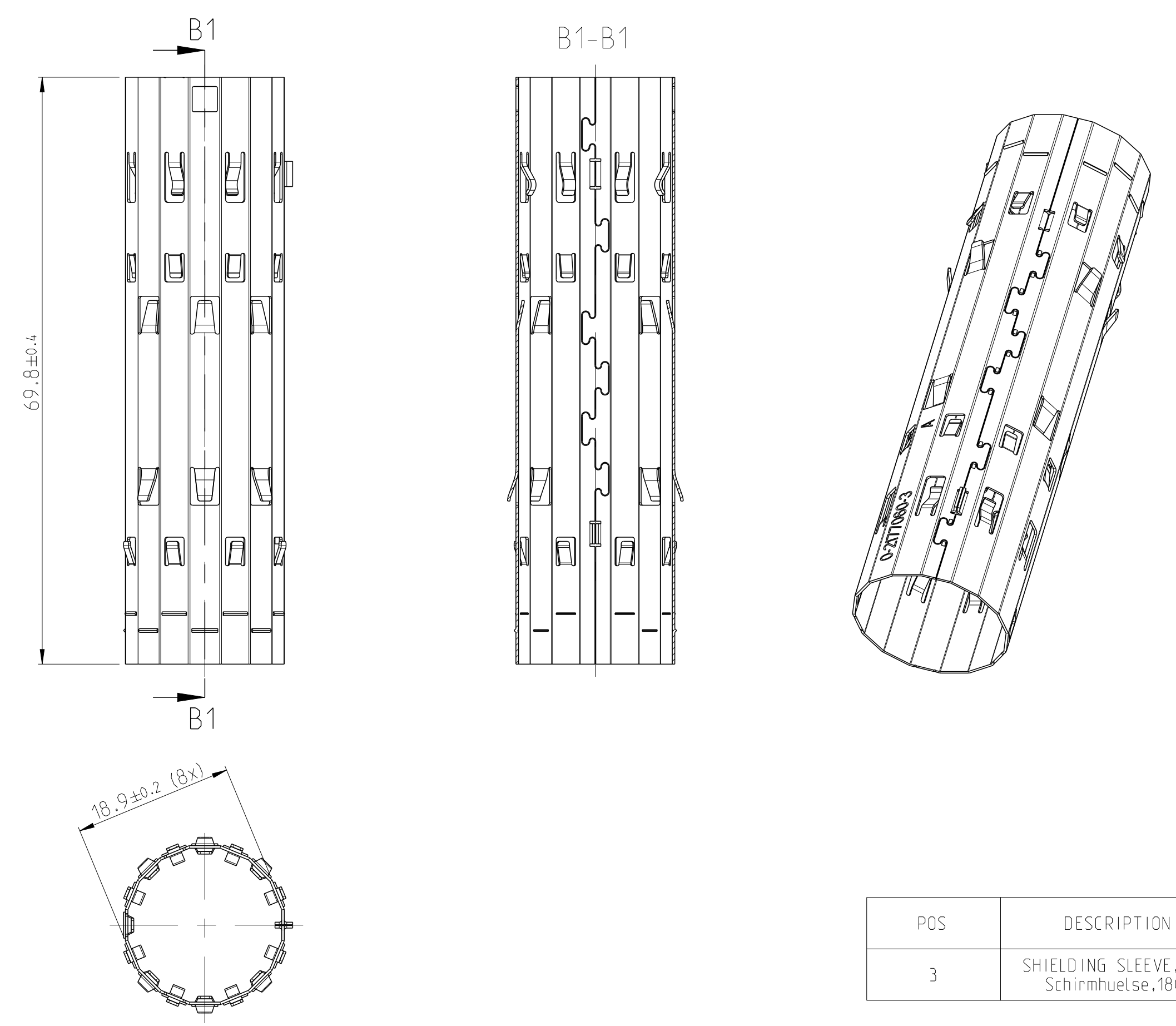


POS	DESCRIPTION
1	2POS, 8MM HV, REC HSG, 180°, ASSY, SEALED 2pol., gedichtete Assy, 8mm HV, 180°

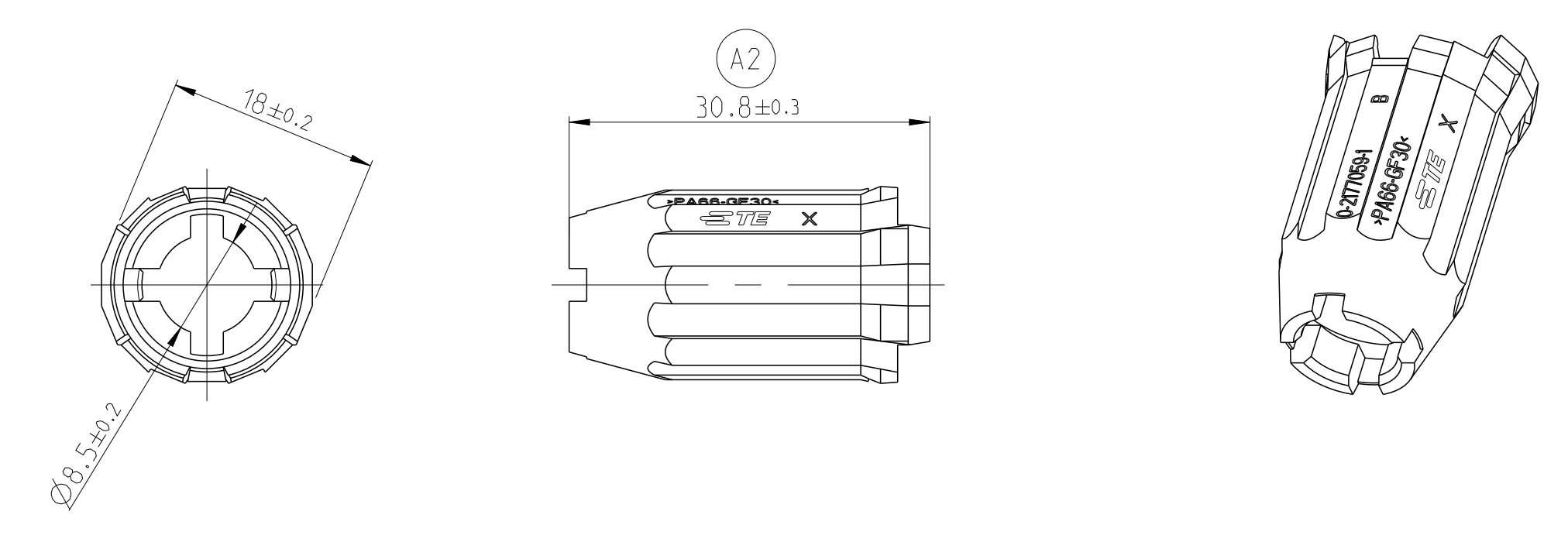


TE-ORDER-NO.	TE-Bestell-Nr.	DIMENSION A	Mass A
0-2177592-1		13.7	
0-2177590-1		12.63	
0-2177473-1		10.3	
0-2177594-1		8.85	

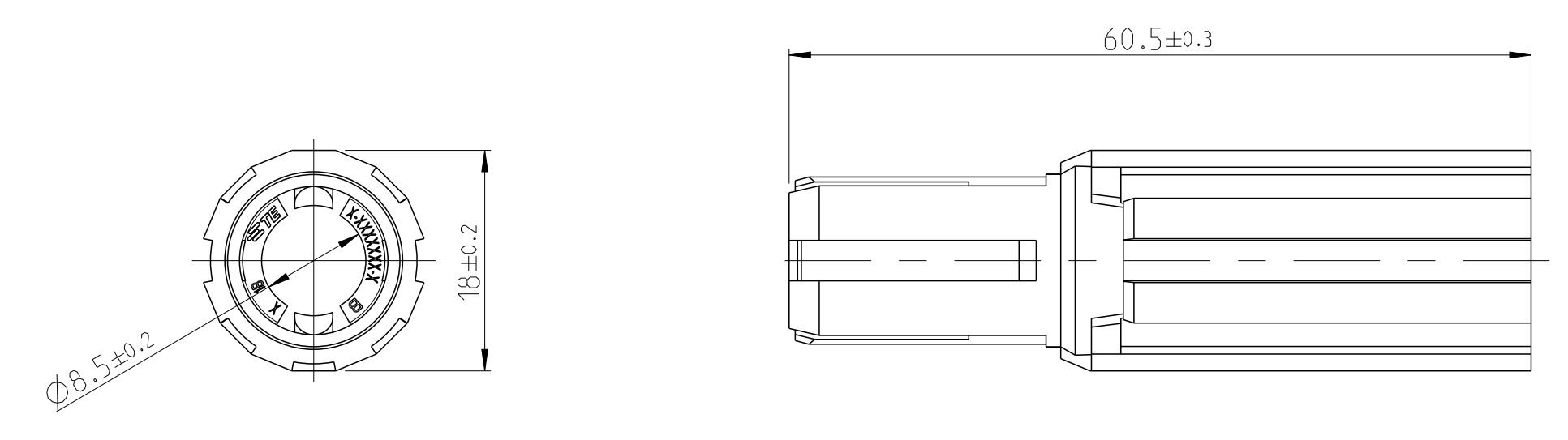
POS	DESCRIPTION
2	TURNED CONTACT 180° Drehkontakt 180°



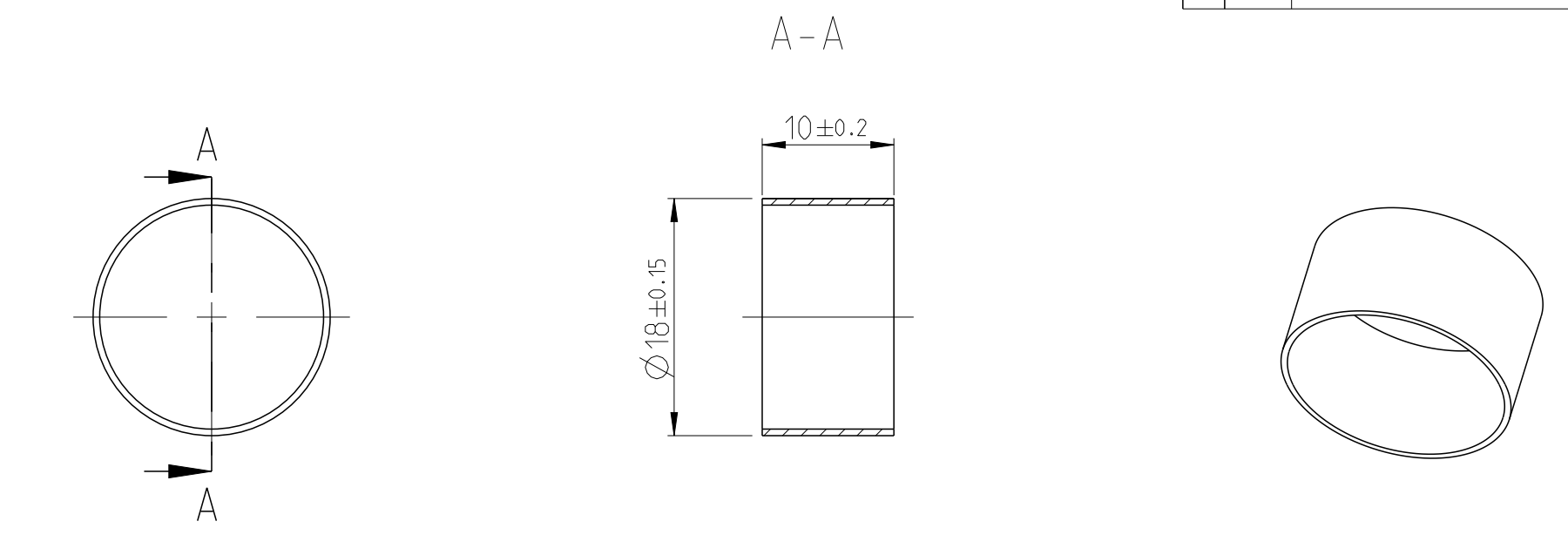
POS	DESCRIPTION
3	SHIELDING SLEEVE, 180° Schirmhülse, 180°



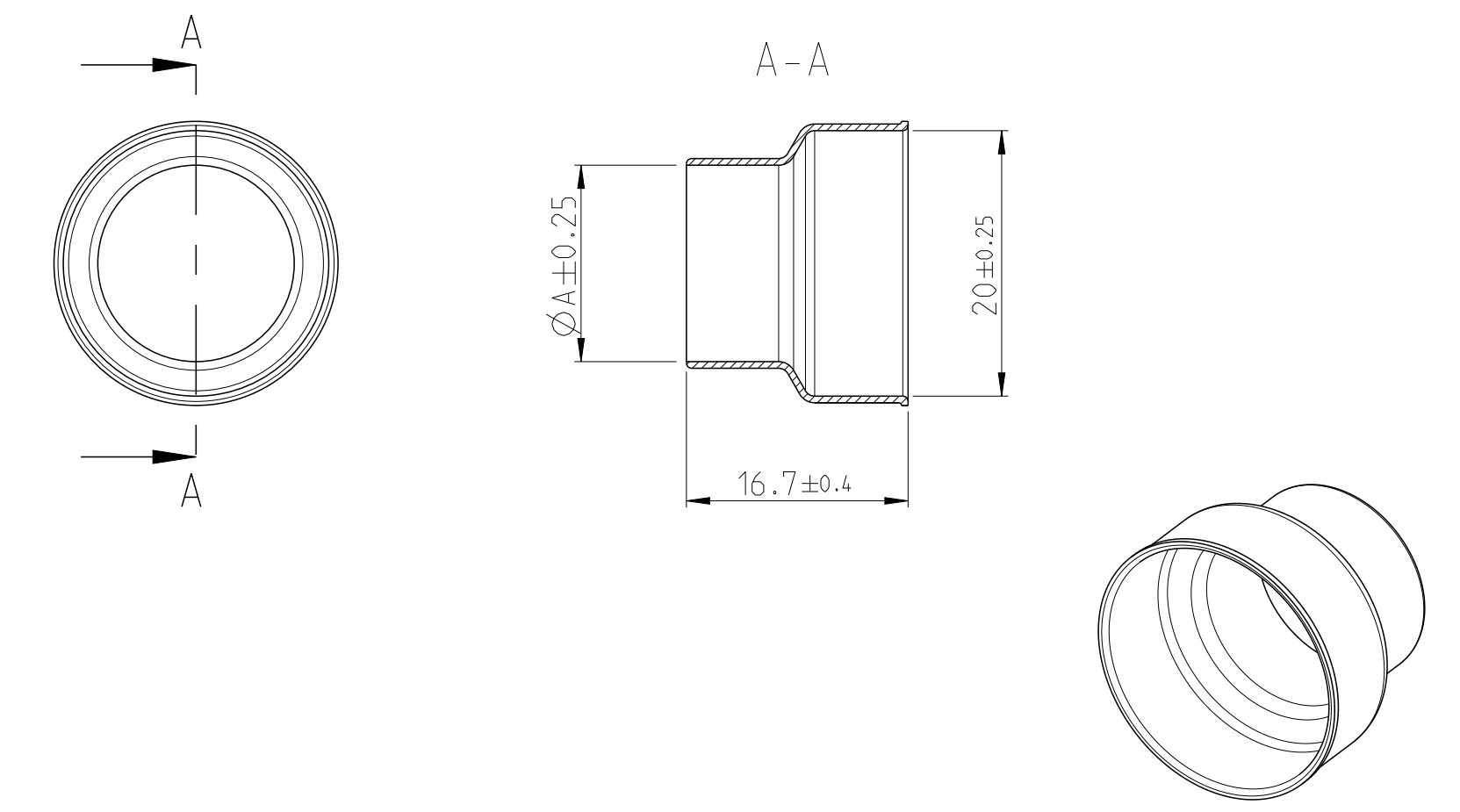
POS	DESCRIPTION
4	FINGER PROT CAP 8MM HV, 180° Fingerschutzkappe 8mm HV, 180°



POS	DESCRIPTION
5	INSULATION INSERT 180° Isolationskörper 180°

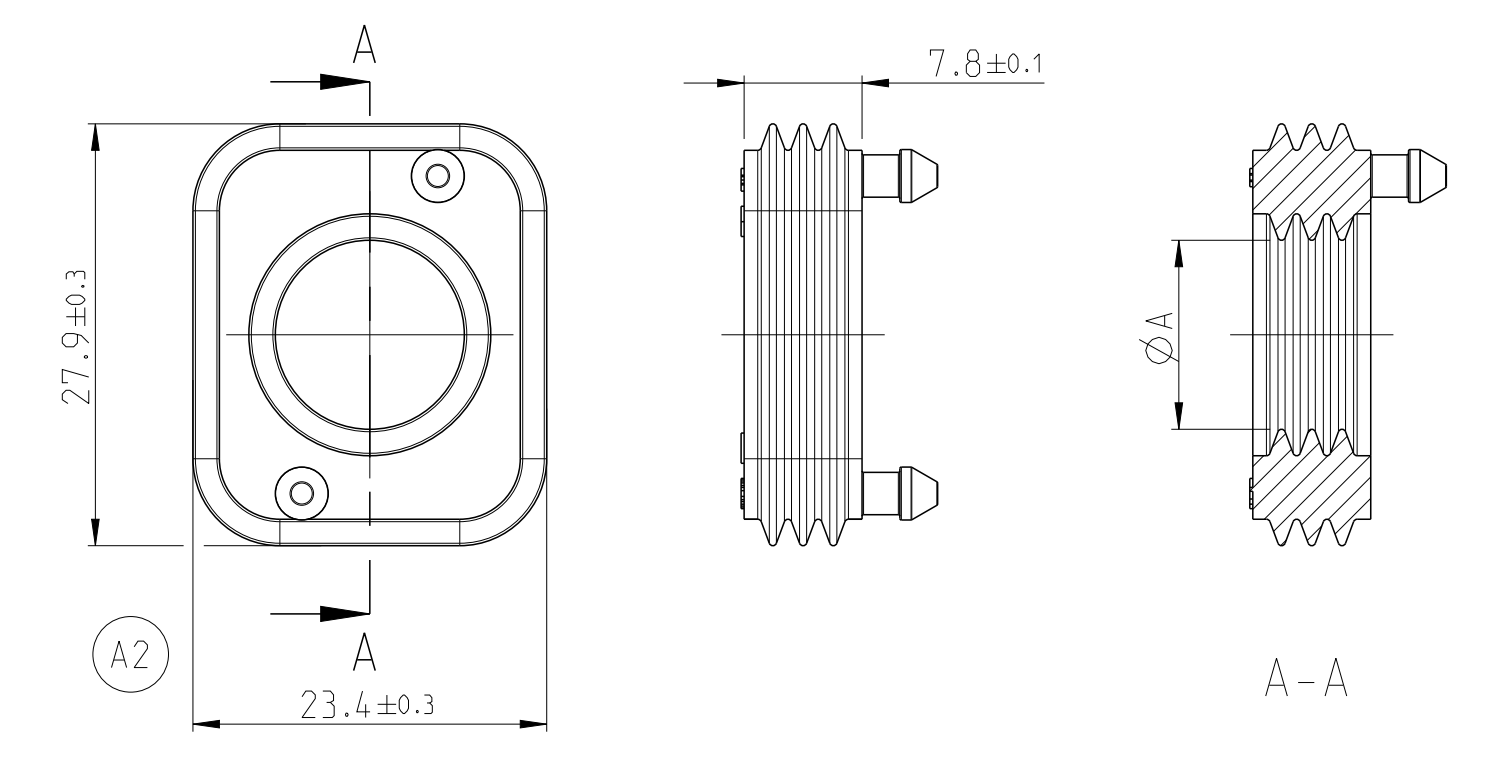


POS	DESCRIPTION
6	SHIELD CRIMP FERRULE, INNER Untercrimphülse



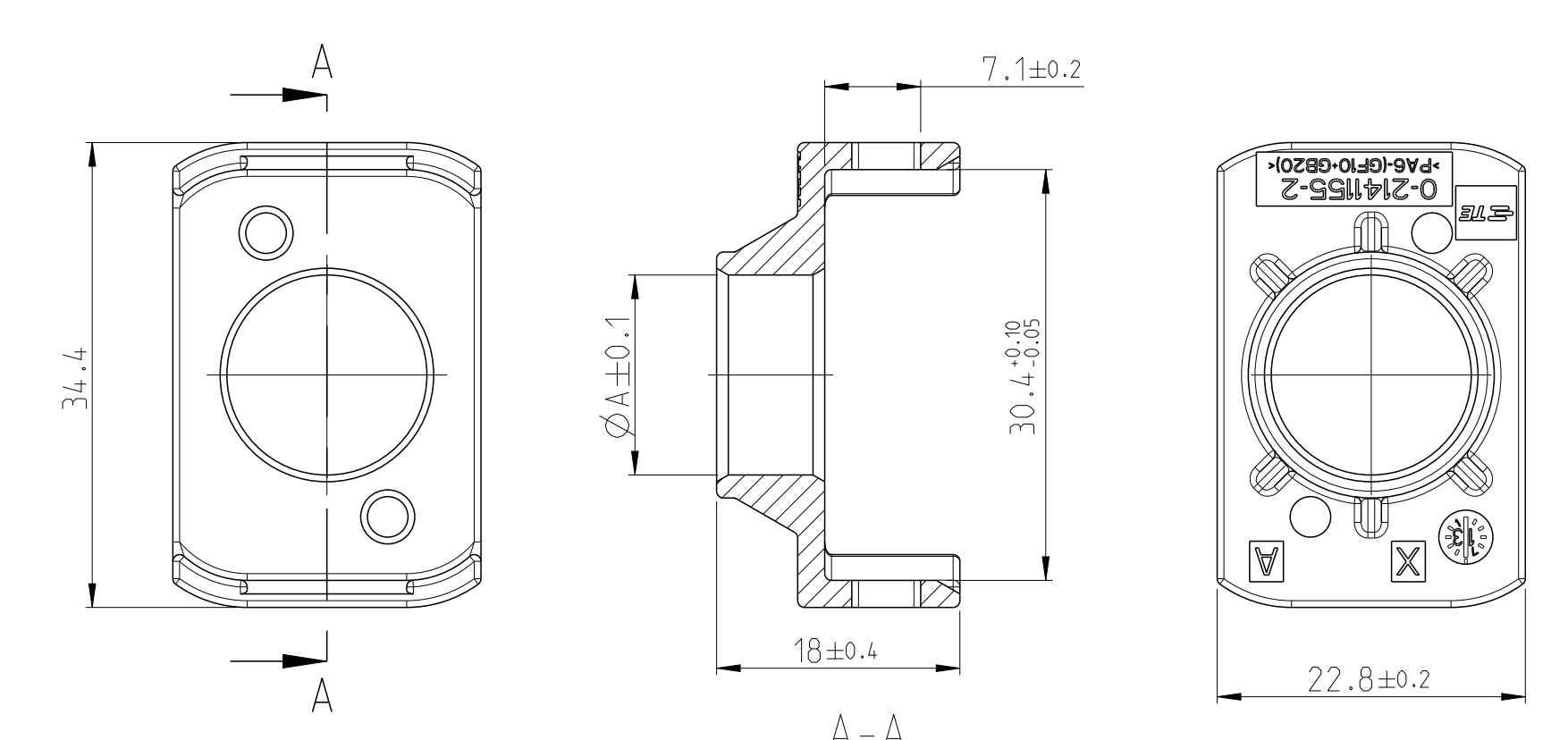
TE-ORDER-NO.	TE-Bestell-Nr.	DIMENSION A	Mass A
0-2177090-3		12.5	
0-2177090-2		14.8	
0-2177090-1		16.2	

POS	DESCRIPTION
7	SHIELD CRIMP SLEEVE Schirm, Crimpbuchse



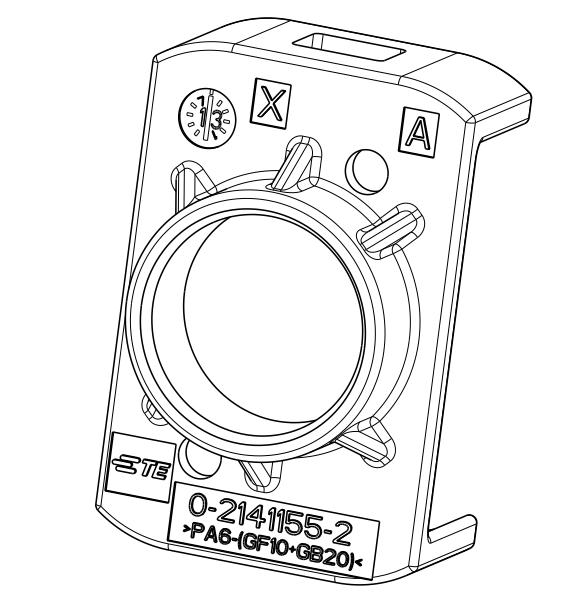
TE-ORDER-NO.	TE-Bestell-Nr.	DIMENSION A	Mass A
0-2141156-4		8.6	
0-2141156-3		10.6	
0-2141156-2		12.8	
0-2141156-1		13.6	

POS	DESCRIPTION
8	SINGLE WIRE SEAL, 8MM HV, 90° Kabeldichtung einzeln, 8mm HV, 90°



TE-ORDER-NO.	TE-Bestell-Nr.	DIMENSION A	Mass A
0-2141155-4		10.6	
0-2141155-3		12.6	
0-2141155-2		14.8	
0-2141155-1		16.2	

POS	DESCRIPTION
9	PROTEC. COVER 8MM HV, 90° Abdeckkappe 8mm HV, 90°



TOLERANZ ISO 8015  
 TOLERIERUNG ISO 8015

THIS DRAWING IS A CONTROLLED DOCUMENT.  
 DIMENSIONS AND TOLERANCES PER GPS ISO STANDARDS.

DATE: 19DEC2014  
 DRAWN: J. Toboalt  
 CHECKED: D. H. Yu  
 APPROVED: A. Kellard  
 PRODUCT SPEC: 19DEC2014

APPLICATION SPEC: 19DEC2014  
 VERIFICATION/PROZ: 19DEC2014

MATERIAL: 19DEC2014

Customer Drawing

SCALE: 1:1  
 SHEET: 2 OF 2  
 REV: A2

TE Connectivity  
 2POS 8MM HV KIT, 180DEG, SEALED  
 2pol 8mm HV Kit, 180Grad, gedichtet  
 OVERVIEW / Übersicht, ASSY

00779 ©=2177052