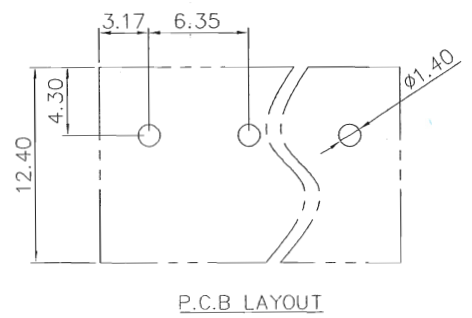
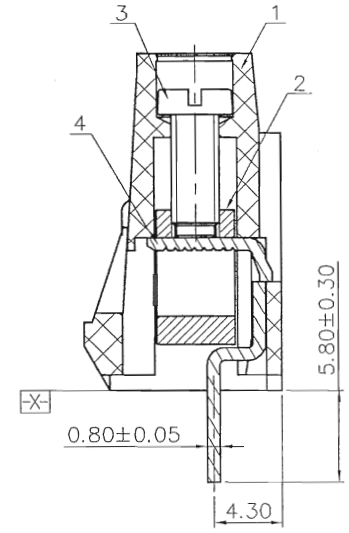
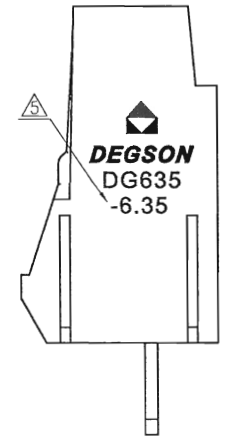
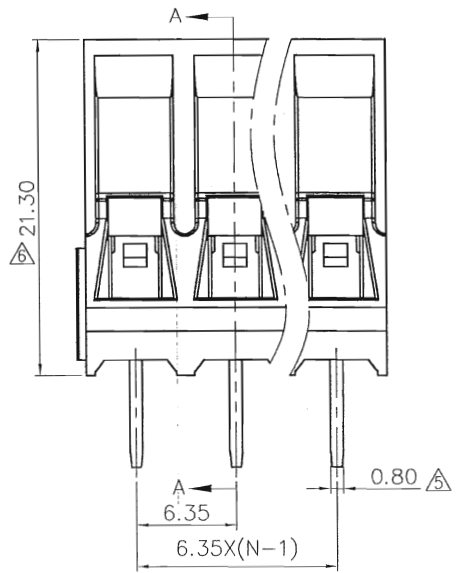
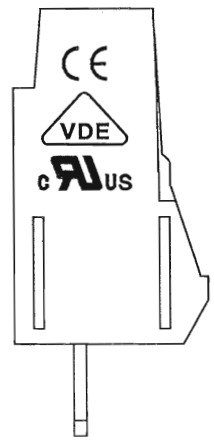
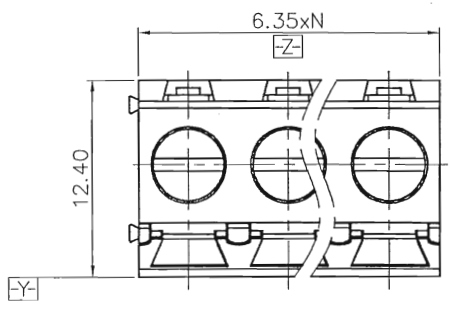


文管中心
 研发专用
 2015.05.12

REVISION RECORD				
REV	ECN	DESCRIPTION	DRFT	DATE
△		增加VDE参数	LJH	01/09/08"
△	11-0074	增加间距刻字及修改焊脚宽度	ZXX	04/13/11"
△		图面更新	XGF	12/06/12"
△	13-0176	BOM表螺丝品名更新	YJZ	10/09/13"
△	15-0155	焊脚材质黄铜改为紫铜	Jay.z	05/03/15"

NOTES:
 1. DIMENSIONS SHALL BE INTERPRETED PER ASME Y14.5-2009.
 2. PITCH: 6.35MM, POLES: N=2-XXP
 3. RATED VOLTAGE/CURRENT: UL-300V/30A VDE 450V/32A
 4. OPERATION TEMPERATURES: -40°C~+105°C
 5. WITHSTANDING VOLTAGE: AC2500V/1MIN.
 6. WIRE RANGE: 26~10AWG, 4.0MM²
 7. TORQUE VALUE: M3,5.10kgf.cm
 8. UNDIMENSIONED TOLERANCES:

PITCH RANGE IN MM		NOMINAL DIMENSION RANGE IN MM				
TO 6	OVER 6 TO 10	OVER 10 TO 24	OVER 30 TO 60	OVER 60 TO 100	OVER 100 TO 150	OVER 150
±0.10	±0.15	±0.25	±0.20	±0.30	±0.50	±1.00
						0.05/10



ITEM	NAME OF PART	NO. OF PART	Q"TY	MATERIAL	NOTES
△ 4	DG635-Pin header	4030B00010(H)	XX	Copper	Sn plated
△ 3	DG635"-Screw	S000001690(H)	XX	Steel	Zn plated
△ 2	DG950 Cage	X000000310(H)	XX	Brass	Ni plated
△ 1	DG635-6.35 Housing	4030AYXXA(H)	1	PA66	UL94V-0

DETACHED LISTS		MATERIAL:		NAME:	
TOLERANCES EXCEPT AS NOTED		FINISH:		DEGSON® 宁波高正电子有限公司 DEGSON ELECTRONICS CO., LTD	
PART NO.:		NAME:		DG635-6.35-XXP-1Y-00A(H)	
ANGLES ± 1'		APPD:		TITLE: ASSEMBLY DRAWING	
THIRD ANGLE PROJECTION		CHKD:		DRAWING NO.: DG635-6.35-E01	
		DRFT:		DO NOT SCALE DRAWING	
				SCALE: N/A	
				SHEET: 1/1	