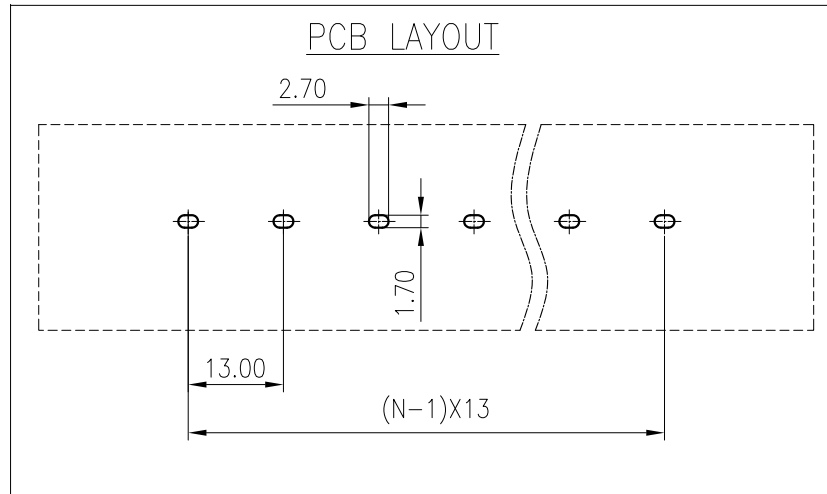
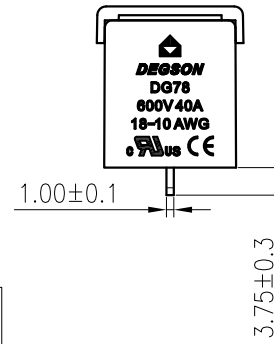
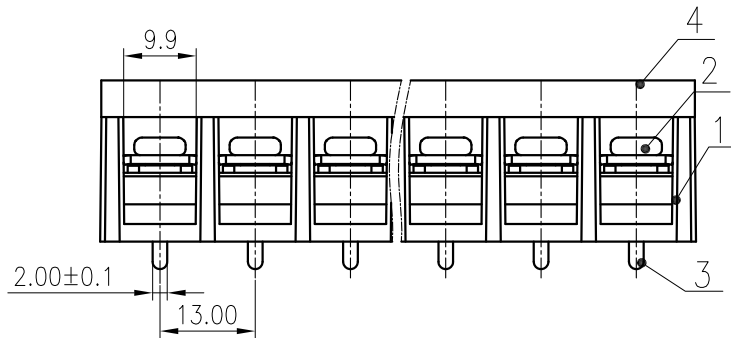
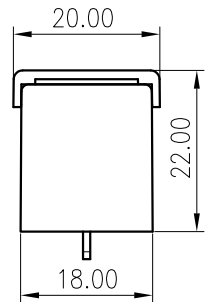
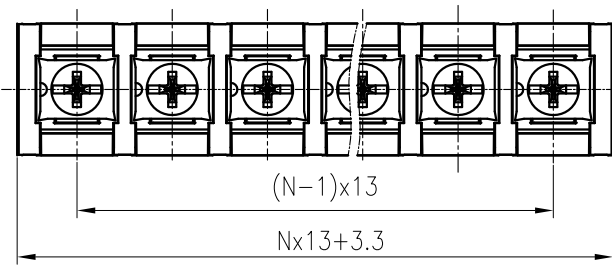


| 未注公差/General tolerances(mm) | | | | | | | | | | | | 0.1/10 | |
|-----------------------------|-------|-------|-------|-------|-------|-------|-------|-------|-------|-------|-------|--------|-------|
| 0 | >3 | >6 | >10 | >18 | >30 | >50 | >80 | >120 | >180 | >250 | >315 | | >400 |
| ~3 | ~6 | ~10 | ~18 | ~30 | ~50 | ~80 | ~120 | ~180 | ~250 | ~315 | ~400 | ~500 | ~2.50 |
| ±0.12 | ±0.18 | ±0.22 | ±0.26 | ±0.31 | ±0.37 | ±0.57 | ±0.80 | ±0.93 | ±1.05 | ±1.15 | ±1.60 | ±2.20 | ±2.50 |

Without Cover



| 4 | Cover | PC | UL94V-2 |
|--|--------------|---------------|--------------|
| 3 | Pin header | Copper alloy | M4/Sn plated |
| 2 | Screw | Steel | M4/Ni plated |
| 1 | Housing | PA66 | UL94V-0 |
| ITEM | NAME OF PART | MATERIAL | NOTES |
| UL 标准/UL Standard: | | B | C |
| 额定电压/电流/Rated Voltage(V)/Current(A) | | 600/40 | 600/40 |
| IEC 标准/IEC Standard: | | D | |
| 过压类别/Overvoltage Category/污染等级/Pollution Degree | | III/3 | III/2 |
| 额定电压/电流/Rated Voltage(V)/Current(A) | | 1000/41 | 1000/41 |
| 额定脉冲电压(KV)/Rate Impulse Voltage(KV) | | 8 | 8 |
| 螺丝扭矩/Torque Tightening(N·m/Lb.in) | | M4, 1.16/10.5 | |
| 线径范围(硬线和软线)/Wire Range(rigid and flexible)(mm ² /AWG) | | 0.75~6/18~10 | |
| 间距/Pitch(mm)/线数范围/Poles | | 13/N=02~20P | |
| 剥线长度/Stripping length(mm) | | 9~10 | |
| 使用温度范围/Operating temperature(°C) | | -40~+105 | |
| 符合RoHS环保要求/Conform to RoHS | | Yes | |

| | | | |
|------------------------|----------|---|------------------------|
| MATERIAL: | / | SURFACE: | / |
| MAT NO.: | / | 宁波高松电子有限公司 NINGBO DEGSON ELECTRICAL CO., LTD | |
| STATUS: | / | | |
| APPD: | / | NAME: DG78C-B-XXP-1Y-00A(H) | |
| CHKD: | / | DRAWING NO.: DG78C-C02 | |
| DRFT: XieXD 2020.06.15 | / | REV | TO |
| REV | ECN | DESCRIPTION | DRFT |
| ⊕ | SIZE: A4 | mm (inch) | TYPE: CUSTOMER DRAWING |
| | | SCALE: 1:1 | SHEET 1/1 |