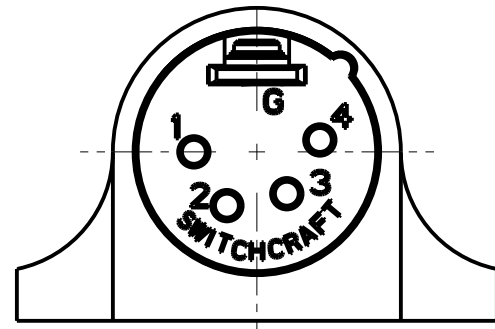
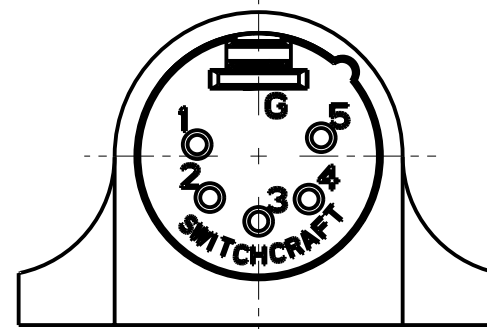


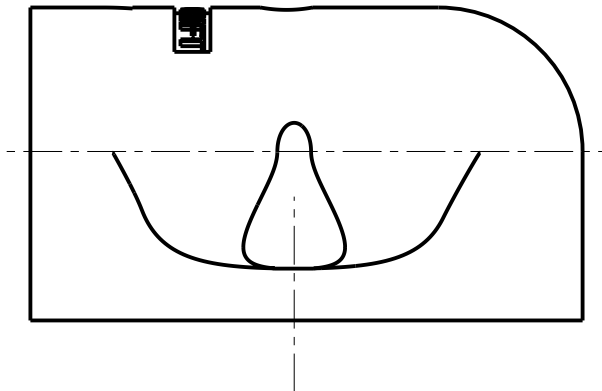
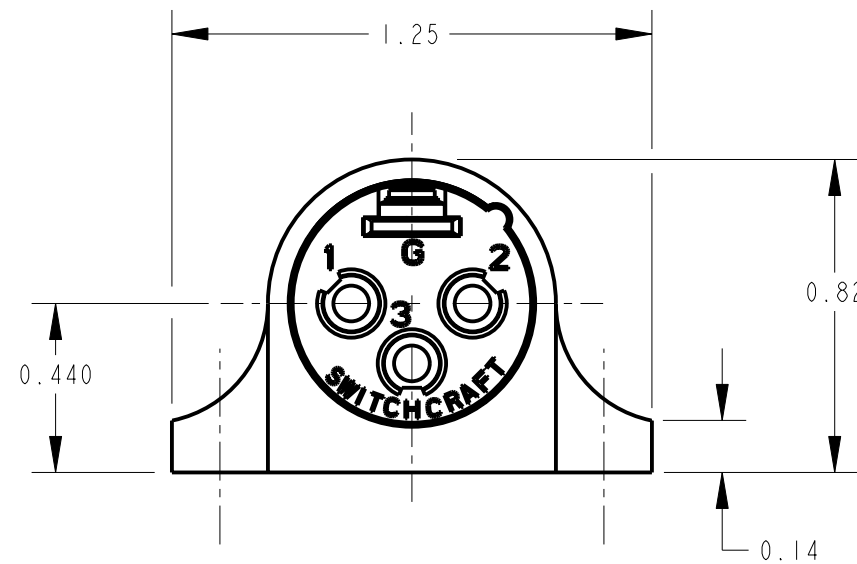
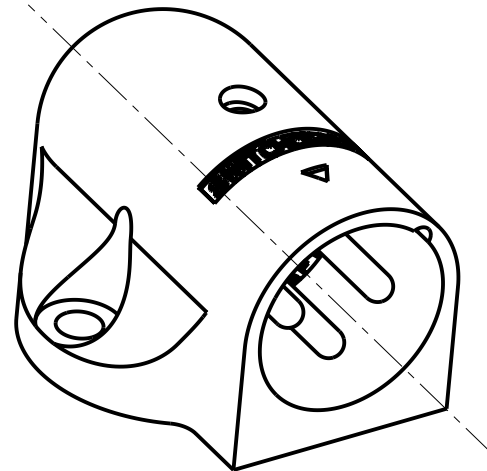
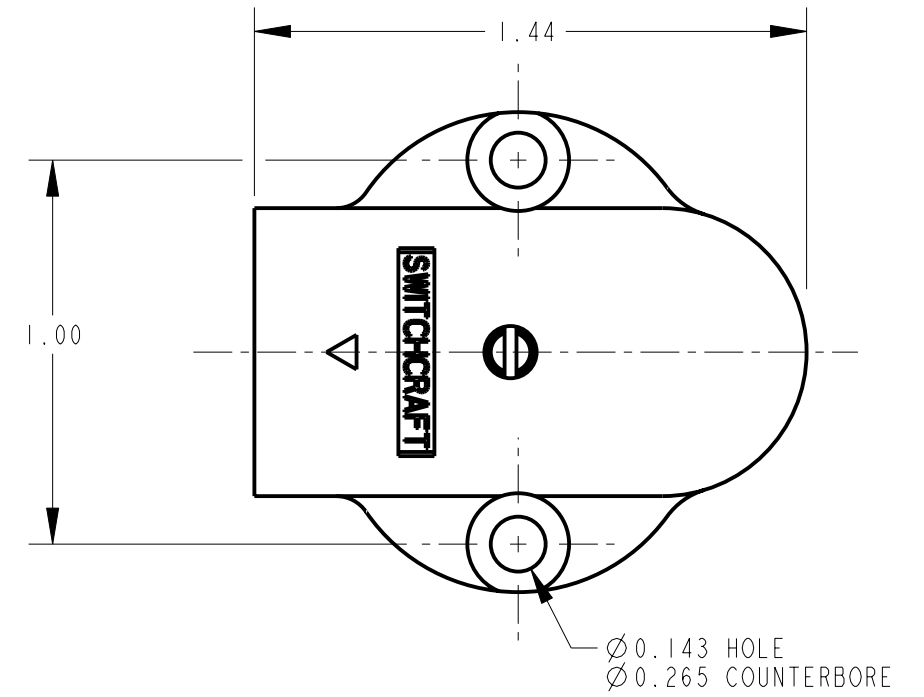
W3M
3 PIN



W4M
4 PIN



W5M
5 PIN



NOTES:

- MATERIALS:
HOUSING - ZINC ALLOY, NICKEL PLATED
INSULATOR - THERMOPLASTIC, GREEN
CONTACT PINS - BRASS, SILVER PLATED
SOLDER TERMINAL - BRASS, ELECTRO-TIN PLATED
SET SCREW - STAINLESS STEEL
- ALL DIMENSIONS ARE REFERENCE UNLESS OTHERWISE SPECIFIED.
- THESE PRODUCTS ARE RoHS COMPLIANT.

CUSTOMER DRAWING

					★ STAR SYMBOL DENOTES CRITICAL DIMENSION	THIS DRAWING DESCRIBES A DESIGN CONSIDERED PROPRIETARY IN NATURE, DEVELOPED AND MANUFACTURED BY SWITCHCRAFT INC. AND IS RELEASED ON A CONFIDENTIAL BASIS FOR IDENTIFICATION PURPOSES ONLY.				
					UNLESS OTHERWISE SPECIFIED	SIZE	WIDTH	MULT	LBS/M	TEMPER
					1. ALL DIMENSIONS IN INCHES - TWO PLACE DECIMALS ±0.01 - THREE PLACE DECIMALS ±0.005 - ANGLES ±1° - ALL DIA. CONCENTRIC WITHIN 0.005 T.I.R.	FINISH		MATERIAL		
					2. FEATURES ON THE SAME CENTERLINE MUST BE ALIGNED WITHIN ±0.002	SPEC No.		SPEC No.		
					3. REMOVE ALL BURRS	FIRST USED ON		SCALE		Switchcraft [®]
REVISIONS					DO NOT SCALE DRAWING		2:1		SHEET OF	
F	27379	10-10-14	TJK	TJK	DATE DRAWN		BY	CHKD	APVD	PART No.
REV	ECO NUMBER	DATE	BY	APVD	29-Aug-94	SG	SG	GHJ	GHJ	W_M SERIES
					NAME		"W" SERIES		REV	
					RIGHT ANGLE MALE OG, RoHS		F		F	

Mouser Electronics

Authorized Distributor

Click to View Pricing, Inventory, Delivery & Lifecycle Information:

[Switchcraft:](#)

[W3M](#) [W4M](#)