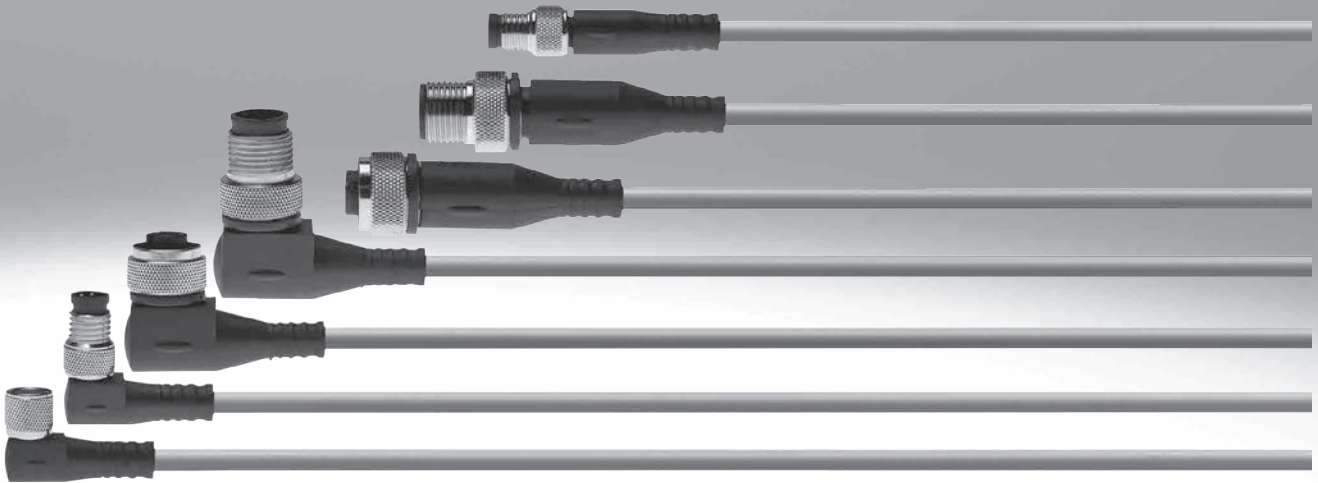


Connecting cables, universal

FESTO



Festo core product range
Covers 80% of your automation tasks

Worldwide:
Superb:
Easy:

Always in stock
Festo quality at an attractive price
Simplified procurement and warehousing

- ★ Generally ready for dispatch from the factory within 24 hours
In stock at 13 Service Centres worldwide
More than 2200 products
- ☆ Generally ready for dispatch from the factory within 5 days
Assembled for you at 4 Service Centres worldwide
Up to 6×10^{12} variants per product family

Just look
for the
star!

Characteristics

Cable characteristic

The connecting cables NEBU can be configured and ordered using a modular system. A range of characteristics can therefore be defined.

These include, for example:

- Electrical connection
- Cable characteristic
- Length
- Number of pins/wires

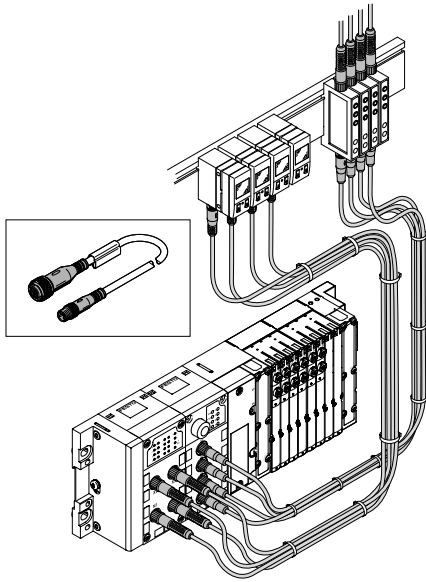
The cable characteristic indicates the resistance of the connecting cable to the mechanical load.

There are three qualities:

- Standard
- Suitable for energy chains
- Suitable for robot applications

Cable characteristic: standard

Code K

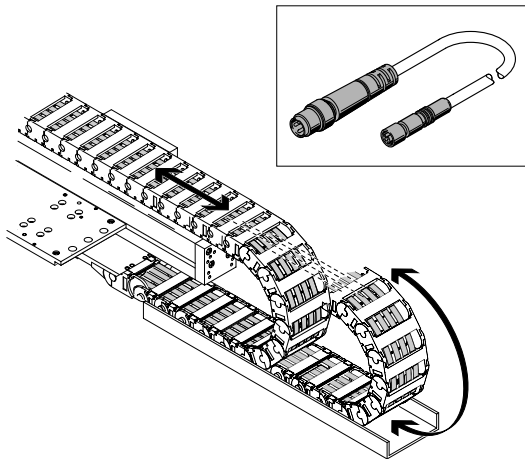


Standard applications are characterised by fixed cable installation or small to medium mechanical loads. The connecting cable can even be used for simple applications with energy chains with larger radii. The cable sheath of the connecting cables is made of polyurethane, is free of halogen, oil resistant and optimised for installation in contact with pneumatic tubing; free of phosphoric acid ester.

- The connecting cable is tested for resistance to bending according to the Festo standard; test conditions are available on request.
- The connecting cable has been tested on an energy chain over 5 million cycles and at a bending radius of 75 mm.

Cable characteristic: suitable for energy chains

Code E



Energy chain applications involve high mechanical loads, particularly if very small radii are required. The connecting cable can be used in a setting where it is constantly subjected to bending. The cable sheath of the connecting cables is made of polyurethane, is free of halogen, oil resistant and optimised for installation in contact with pneumatic tubing; free of phosphoric acid ester.

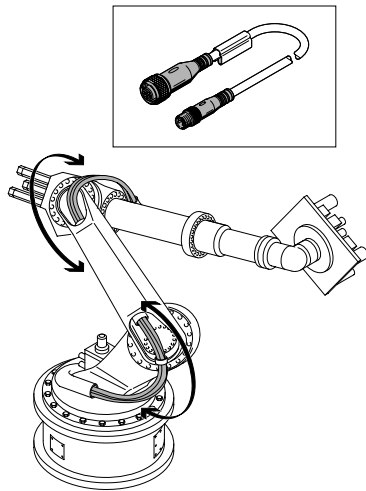
- The connecting cable is tested for resistance to bending according to the Festo standard; test conditions are available on request.
- The connecting cable has been tested on an energy chain over 5 million cycles and at a bending radius of 75 mm.
- The connecting cable has been tested on an energy chain over 5 million cycles and at a bending radius of 28 mm.

Characteristics

Cable characteristic

Cable characteristic: suitable for robot applications

Code R



Robot applications involve high mechanical loads that are primarily caused by torsion (twisting). The cable sheath of the connecting cables is made of polyurethane, is free of halogen, oil resistant and optimised for installation in contact with pneumatic tubing; free of phosphoric acid ester.

- The connecting cable is tested for resistance to bending according to the Festo standard; test conditions are available on request.
- The connecting cable has been tested on an energy chain over 5 million cycles and at a bending radius of 75 mm.
- The connecting cable has been tested on an energy chain over 5 million cycles and at a bending radius of 28 mm.
- The connecting cable has been tested for torsional resistance over more than 0.3 million cycles at $\pm 270^\circ/0.1$ m.

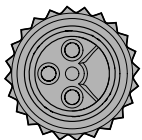
Connection technology version

The type of plug for the connecting cable can be selected (e.g. angled or straight).

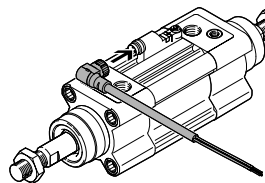
The rotatable version is a special type: with an angled socket, the cable outlet can be rotated 360° in increments of 15°.

Benefit:
The cable outlet can be rotated to the optimum position in tight installation conditions.
The rotatable plug is not designed to be constantly adjusted.

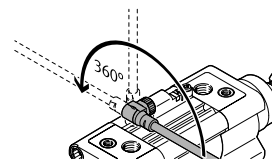
Mounting



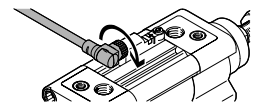
Observe the orientation of the pins.



Connect the plug to the socket.



Adjust the cable outlet.



Tighten the union nut.

Product range overview

Function	Version	Type	Connection technology (on the right)	Cable characteristic	Length	→ Page/ Internet
Electrical connecting cable	Electrical connection (on the left), open cable end					
	5-pin	NEBU-LE	Plug	Standard, suitable for energy chains, suitable for robot applications	0.1 ... 30 m	6
	Electrical connection (on the left), socket M8					
	3-pin	NEBU-M8 SIM-M8	Plug, open cable end	Standard, suitable for energy chains, suitable for robot applications	0.1 ... 30 m	11
	4-pin	NEBU-M8 SIM-M8	Plug, open cable end	Standard, suitable for energy chains, suitable for robot applications	0.1 ... 30 m	18
	Electrical connection (on the left), socket M12					
	4-pin	SIM-M12-RS-3	Open cable end	Resistant to welding spatter	3 m	24
	5-pin	NEBU-M12G5 NEBU-M12W5 SIM-M12	Plug, open cable end	Standard, suitable for energy chains, suitable for robot applications	0.1 ... 30 m	27
	8-pin	NEBU-M12-W8 SIM-M12-8 KM12-8	Plug, open cable end	Standard	2 m, 5 m, 10 m, 15 m, 20 m, 25 m	35
	Electrical connection (on the left), socket G7/8					
	5-pin	NEBU-G78	Open cable end	Standard	2 m	40
	Electrical connection (on the left), clip					
	3-pin	SIM-K	Open cable end	Standard	2.5 m, 5 m, 10 m	42
	4-pin	SIM-K-4	Open cable end	Standard	2.5 m, 5 m	45

Type codes

001	Series	
NEBU	Connecting cable, universal	

002	Connection technology left, field device side	
M8	Socket M8x1 A-coded, EN 61076-2-104	
M12	Socket M12x1 A-coded, EN 61076-2-101	
G78	7/8"	
LE	Open end	

003	Cable outlet left	
	None	
G	Straight	
R	Rotating	
W	Angled	

004	Number of pins/wires on the left	
3	3	
4	4	
5	5	
8	8	

005	Display	
	None	
L	LED signal status, DC	
N	LED switching state, NPN	
P	LED switching state, PNP	
P2	2x LED, PNP	

006	Cable characteristic	
P	Basic	
K	Standard	
E	Suitable for energy chains	
R	Suitable for robot applications	

007	Cable length [m]	
0.1	0.1	
0.5	0.5	
1	1	
1.5	1.5	
2	2	
2.5	2.5	
3	3	
3.5	3.5	
5	5	
7	7	
7.5	7.5	
9	9	
10	10	
15	15	
30	30	

008	Cable identification	
	With label holder	
N	Without label holder	

009	Wire cross section [mm ²]	
	Standard	
Q8	1	

010	Connection technology right, controller side	
M8	Plug M8x1 A-coded, EN 61076-2-104	
M12	Plug M12x1 A-coded, EN 61076-2-101	
LE	Open end	

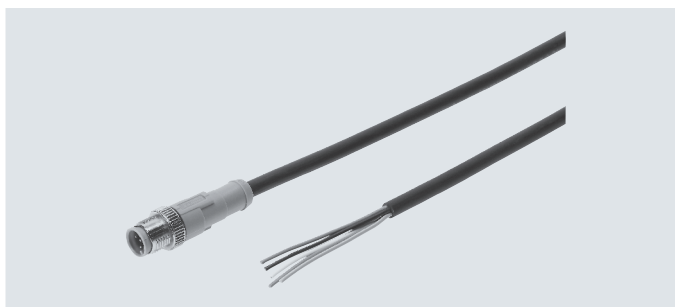
011	Plug	
	None	
G	Straight	
W	Angled	

012	Number of pins/wires on the right	
2	2	
3	3	
4	4	
5	5	
8	8	

Data sheet

Connecting cable NEBU-LE

- Connecting cable for connecting inputs/outputs
- Pre-assembled at one end
- Cable lengths 0.1 ... 30 m
- 3, 4, 5 wires
- Plug M8 or M12



General technical data

Conforms to standard	EN 61076-2-104 EN 61076-2-101 Wire colours and connection numbers to EN 60947-5-2
Cable designation	With 2x inscription label holders
Degree of protection to EN 60529	IP65, IP68, IP69K
Note on degree of protection	In assembled state

Technical data – Electrical connection 1

Function	Field device side		
Connection type	Cable		
Connection technology	Open end		
Number of pins/wires	3	4	5
Assigned pins/wires	3	4	5

Technical data – Electrical components

Electrical connection 2		Plug M8x1		Plug M12x1		
		3-pin	4-pin	3-pin	4-pin	5-pin
Operating voltage range	[V DC]	0 ... 60	0 ... 30	0 ... 250	0 ... 250	0 ... 60
	[V AC]	0 ... 60	0 ... 30	0 ... 250	0 ... 250	0 ... 60
Surge resistance	[kV]	1.5	0.8	2.5	2.5	1.5
Current rating	[A]	3	3	4	4	4

Technical data – Cable

Cable characteristic	Code -K-	Standard			
	Code -E-	Suitable for energy chains			
	Code -R-	Suitable for robot applications			
Cable testing conditions		Bending strength: to Festo standard			
		Test conditions on request			
	Cable characteristic	Standard	Energy chain: 5 million cycles, bending radius 75 mm		
		Suitable for energy chains	Energy chain: 5 million cycles, bending radius 28 mm		
Suitable for robot applications		Energy chain: 5 million cycles, bending radius 28 mm			
		Torsional resistance more than 300000 cycles, ±270°/0.1 m			
Cable diameter	[mm]	4.5			
Cable diameter tolerance	[mm]	±0.1			
Cable composition	[mm ²]	3x 0.25	4x 0.25	5x 0.25	
Conductor nominal cross section	[mm ²]	0.25			

Data sheet

Technical data – Electrical connection 2					
Function	Controller side				
Design	Round				
Connection type	Plug				
Cable outlet	Straight				
Connection technology	M8x1, A-coded to EN 61076-2-104		M12x1, A-coded to EN 61076-2-101		
Number of pins/wires	3	4	3	4	5
Assigned pins/wires	3	4	3	4	5
Type of mounting	Screw-type lock				

Materials	
Housing	TPE-U(PUR)
Housing colour	Black
Cable sheath	TPE-U(PUR)
Cable sheath colour	Grey
Insulating sheath	PP
Screw-type lock	Nickel-plated brass
Note on materials	RoHS-compliant
	Free of copper and PTFE
	Halogen-free
	Free of phosphoric acid ester
Special characteristics	Oil resistant

Operating and environmental conditions		
Ambient temperature	[°C]	-25 ... +70
Ambient temperature with flexible cable installation	[°C]	-5 ... +70
Corrosion resistance CRC ¹⁾		2
CE marking (see declaration of conformity) ²⁾		To EU Low-Voltage Directive
Pollution degree		3

1) Corrosion resistance class CRC 2 to Festo standard FN 940070

Moderate corrosion stress. Indoor applications in which condensation can occur. External visible parts with primarily decorative surface requirements which are in direct contact with a normal industrial environment.

2) Additional information www.festo.com/sp → Certificates.

Data sheet

Circuitry (socket view)				Electrical connection 2		
Electrical connection 1	Pin	Wire colour ¹⁾	Pin	Electrical connection 2		
Electrical connection, open cable end, 3-wire – plug, 3-pin				Plug M8		Plug M12
-	1	BN	1			
	2	WH	-			
	3	BU	3			
	4	BK	4			
Electrical connection, open cable end, 4-wire – plug, 4-pin				Plug M8		Plug M12
-	1	BN	1			
	2	WH	2			
	3	BU	3			
	4	BK	4			
Electrical connection, open cable end, 5-wire – plug, 5-pin, M12				Plug M12		
-	-	BN	1			
	-	WH	2			
	-	BU	3			
	-	BK	4			
	-	GY	5			

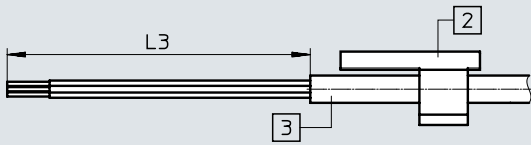
1) To IEC 757

Data sheet

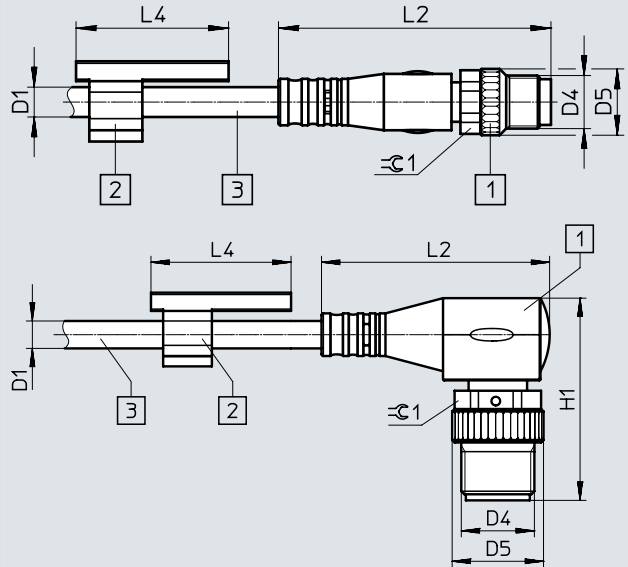
Dimensions

Download CAD data → www.festo.com

Connection technology, left



Connection technology, right



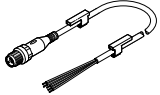
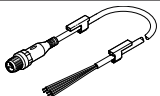
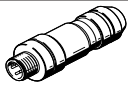
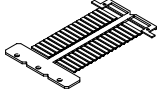

- [1] Plug
- [2] Inscription label holder

- [3] Cable, length 0.1 ... 30 m depending on the order

Connection technology, left	L3
Open end	50

Connection technology, right	D1 ∅	D4	D5 ∅	L2	L4	H1	$\approx C1$
Straight plug	4.5	M8x1	10	41.1	23	-	9
	4.5	M12x1	15	54.5	23	-	13
Angled plug	4.5	M8x1	10	26.9	23	24	9
	4.5	M12x1	15	37.5	23	33.2	13

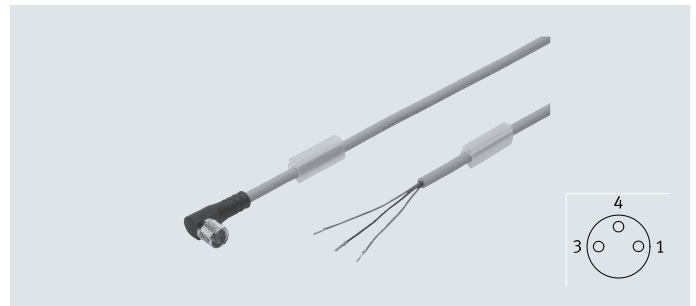
Data sheet

Ordering data							
	Cable characteristic	Cable length [m]	Outlet direction	Special features	Product weight [g]	Part no.	Type
Open cable end, 3-wire – plug, 3-pin, M12							
	Standard	1	Straight	Without inscription label holder	35	8091515	NEBU-LE3-K-1-N-M12G3
Open cable end, 5-wire – plug, 5-pin, M12							
	Standard	1	Straight	–	41	569840	NEBU-LE5-K-1-M12G5
Ordering data – Accessories							
Designation						Part no.	Type
Plugs							
	Plugs for self-assembly					–	→ Internet: necu
						–	→ Internet: sea
Inscription labels							
	Inscription labels 23 mm for holder, 34 pieces, in frame					541598	ASLR-L-423
Safety clip							
	Prevents the screw-type lock from being released easily (without a tool), to be fastened securely to the cable			For M12		548068	NEAU-M12-GD

Data sheet

Connecting cable
NEBU-M8
SIM-M8

- Connecting cable for connecting inputs/outputs
- Pre-assembled at one end, pre-assembled at both ends
- Cable lengths 0.1 ... 30 m
- 3 wires
- M8x1 socket, 3-pin



General technical data			NEBU	SIM
Type			EN 61076-2-104	–
Conforms to standard	Code -K, code -E-		EN 61076-2-101	–
			Wire colours and connection numbers to EN 60947-5-2	–
	Code -R-		Wire colours and connection numbers to EN 60947-5-2	–
			–	EN 61076-2-104
Based on standard	Code -R-	EN 61076-2-104	–	
Cable designation		With 2x inscription label holders	–	
Degree of protection		IP65, IP68, IP69K	IP65, IP68	
Note on degree of protection		In assembled state	–	

Technical data – Electrical connection 1			NEBU	SIM
Type			EN 61076-2-104	SIM
Function			Field device side	Field device side
Design			Round	Round
Connection type			Socket	Socket
Cable outlet			Straight, angled	Straight, angled
Connection technology			M8x1, A-coded to EN 61076-2-104	M8x1, A-coded to EN 61076-2-104
Number of pins/wires			3	3
Assigned pins/wires			3	3
Type of mounting			Screw-type lock	–

Technical data – Electrical components			NEBU	SIM
Operating voltage range	Without switching status indication	[V DC]	0 ... 60	0 ... 60
		[V AC]	0 ... 60	0 ... 60
	With switching status indication	[V DC]	10 ... 30	10 ... 30
		Electrical connection 2 M8x1, 4-pin	[V DC]	0 ... 30
		[V AC]	0 ... 30	–
Surge resistance	Connection technology not rotatable, without switching status indication	[kV]	1.5	1.5
	Connection technology rotatable	[kV]	0.8	–
	With switching status indication	[kV]	0.8	0.8
Current rating at 40°C	Connection technology not rotatable	[A]	3	4
	Connection technology rotatable	[A]	0.5	–

Data sheet

Technical data – Cable			NEBU	SIM	
Type					
Cable characteristic	Code -K-		Standard	–	
	Code -E-		Suitable for energy chains	–	
	Code -R-		Suitable for robot applications	–	
			–	Standard	
Cable testing conditions			Bending strength: to Festo standard	Bending strength: to Festo standard	
			Test conditions on request	Test conditions on request	
	Cable characteristic	Standard		Energy chain: 5 million cycles, bending radius 75 mm	Energy chain: 5 million cycles, bending radius 75 mm
		Suitable for energy chains		Energy chain: 5 million cycles, bending radius 28 mm	–
		Suitable for robot applications		Energy chain: 5 million cycles, bending radius 28 mm	–
			Torsional resistance more than 300000 cycles, $\pm 270^\circ/0.1$ m	–	
Cable diameter	Without switching status indication	[mm]	4.5	4.5	
	With switching status indication	[mm]	3.4	–	
Cable diameter tolerance		[mm]	± 0.1	–	
Cable composition		[mm ²]	3x 0.25	3x 0.25	
Conductor nominal cross section		[mm ²]	0.25	0.25	

Technical data – Electrical connection 2					
Type	NEBU			SIM	
Function	Controller side				
Connection type	Cable	Plug	Plug	Plug	Cable
Design	–	Round	Round	Round	–
Cable outlet	–	Straight, angled	Straight, angled	Straight, angled	–
Connection technology	Open end	M8x1, A-coded to EN 61076-2-104	M8x1, A-coded to EN 61076-2-104	M12x1, A-coded to EN 61076-2-101	Open end
Number of pins/wires	3	3	4	3	3
Assigned pins/wires	Without switching status indication	3	3	3	3
	With switching status indication	3	3	3	–
Type of mounting	–	Screw-type lock	Screw-type lock	Screw-type lock	–

Data sheet

Materials		NEBU	SIM
Type			
Housing		TPE-U(PUR)	TPE-U(PU)
Housing colour		Black	Black
Cable sheath		TPE-U(PUR)	TPE-U(PU)
Cable sheath colour		Grey	Grey
Insulating sheath		PP	PP
Wire insulation colour code		–	Blue, brown, black
Screw-type lock		Nickel-plated brass	Nickel-plated brass
Note on materials		RoHS-compliant	RoHS-compliant
		Free of copper and PTFE	–
		Halogen-free	Halogen-free
		Free of phosphoric acid ester	Free of phosphoric acid ester
Special characteristics	Cable characteristic: standard, suitable for energy chains, suitable for robot applications	Oil resistant	–

Operating and environmental conditions				NEBU	SIM
Type					
Ambient temperature	Cable characteristic: standard	[°C]	–25 ... +70	–25 ... +80	
	Cable characteristic: suitable for energy chains, suitable for robot applications	[°C]	–25 ... +80	–	
Ambient temperature with flexible cable installation	Cable characteristic: standard	[°C]	–5 ... +70	–5 ... +80	
	Cable characteristic: suitable for energy chains, suitable for robot applications	[°C]	–5 ... +80	–	
Corrosion resistance CRC ¹⁾			2	2	
CE marking (see declaration of conformity) ²⁾	All types		–	To EU RoHS Directive	
	Without switching status indication		To EU Low-Voltage Directive	To EU Low-Voltage Directive	
	With switching status indication		–	–	
	Electrical connection 2 M8x1, 4-pin		–	–	
Pollution degree			3	3	

1) Corrosion resistance class CRC 2 to Festo standard FN 940070

Moderate corrosion stress. Indoor applications in which condensation can occur. External visible parts with primarily decorative surface requirements which are in direct contact with a normal industrial environment.

2) Additional information www.festo.com/sp → Certificates.

Data sheet

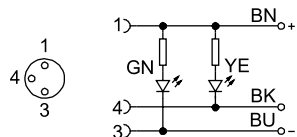
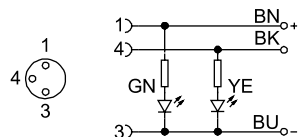
Circuitry (socket view)		Pin	Wire colour ¹⁾	Pin	Electrical connection 2	
Electrical connection 1						
Electrical connection, socket, 3-pin, M8 – open cable end						
	1		BN	-	-	
	3		BU	-		
	4		BK	-		
Electrical connection, socket, 3-pin, M8 – plug, 3-pin						
	1		BN	1	Plug M8 	
	3		BU	3		
	4		BK	4		Plug M12
Electrical connection, socket, 3-pin, M8 – plug, 4-pin, M8						
	1		BN	1	Plug M8 	
	-		-	2		
	3		BU	3		
	4		BK	4		

1) To IEC 757

Circuitry, switching status indication

Display of code P,
for PNP N/O contact

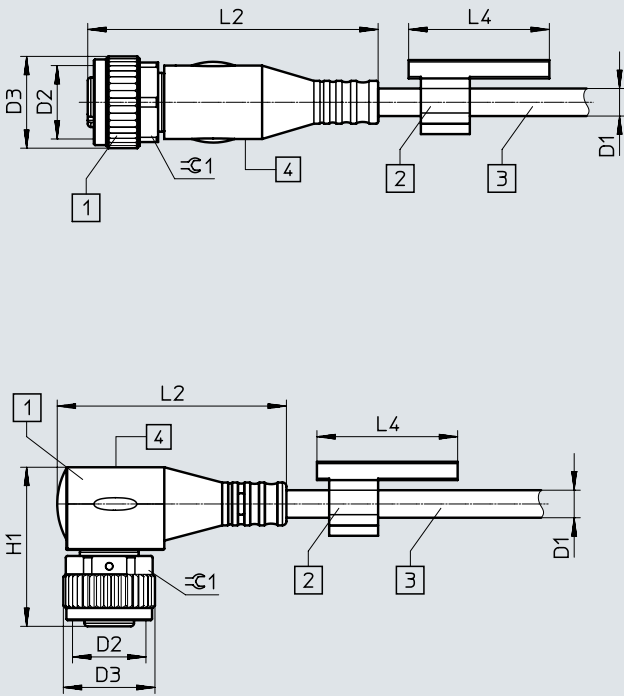
Display of code N,
for NPN N/O contact



Data sheet

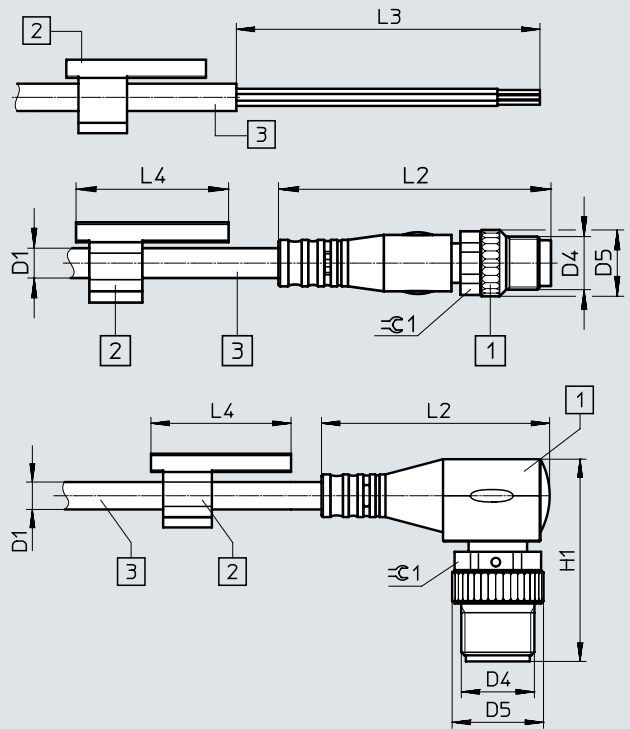
Dimensions

Connection technology, left



- [1] Socket M8x1
- [2] Inscription label holder

Connection technology, right



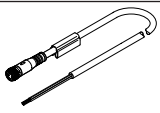
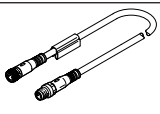
- [3] Cable, length 0.1 ... 30 m depending on the order
- [4] Display field with version P, N

Connection technology, left	D1 ø	D2	D3 ø	L2	L4	H1	≈C1
NEBU							
Straight socket	4.5	M8x1	10	34.6	23	-	9
Angled socket	4.5	M8x1	10	26.9	23	17	9
Rotatable socket	4.5	M8x1	10	20.9	23	16.3	9
NEBU with display							
Straight socket	3.4	M8x1	10	34.6	23	-	9
Angled socket	3.4	M8x1	10	26.9	23	17	9
SIM							
Straight socket	4.5	M8x1	10	34.6	-	-	9
Angled socket	4.5	M8x1	10	26.9	-	17	9

Connection technology, right	D1 ø	D4	D5 ø	L2	L3	L4	H1	≈C1
NEBU								
Open end	4.5	-	-	-	50	23	-	-
Straight plug	4.5	M8x1	10	41.1	-	23	-	9
	4.5	M12x1	15	54.5	-	23	-	13
Angled plug	4.5	M8x1	10	26.9	-	23	24	9
	4.5	M12x1	15	37.5	-	23	33.2	13
NEBU with display								
Straight plug	3.4	M8x1	10	41.1	-	23	-	9
	3.4	M12x1	15	54.5	-	23	-	13
Angled plug	3.4	M8x1	10	26.9	-	23	24	9
	3.4	M12x1	15	37.5	-	23	33.2	13
SIM								
Open end	4.5	-	-	-	50	-	-	-

Download CAD data → www.festo.com

Data sheet

Ordering data										
	Cable characteristic	Cable length [m]	Outlet direction	Special features	Product weight [g]	Part no.	Type			
Socket, 3-pin, M8 – open cable end										
	Standard	2.5	Straight	–	64	★ 541333	NEBU-M8G3-K-2.5-LE3			
				–	–	159420	SIM-M8-3GD-2,5-PU			
			Angled	–	64	★ 541338	NEBU-M8W3-K-2.5-LE3			
				–	–	159422	SIM-M8-3WD-2,5-PU			
				Rotatable socket	64	8001660	NEBU-M8R3-K-2.5-LE3			
				For NPN N/O contact, switching status indication yellow, ready status indication green	64	541336	NEBU-M8W3N-K-2.5-LE3			
				–	–	159426	SIM-M8-3WD-2.5-NSL-PU			
		For PNP N/O contact, switching status indication yellow, ready status indication green	64	541337	NEBU-M8W3P-K-2.5-LE3					
		–	–	159424	SIM-M8-3WD-2.5-PSL-PU					
		5	Straight	–	123	★ 541334	NEBU-M8G3-K-5-LE3			
				–	–	159421	SIM-M8-3GD-5-PU			
			Angled	–	123	★ 541341	NEBU-M8W3-K-5-LE3			
				–	–	159423	SIM-M8-3WD-5-PU			
				Rotatable socket	123	8001661	NEBU-M8R3-K-5-LE3			
	For NPN N/O contact, switching status indication yellow LED, ready status indication green LED			123	541339	NEBU-M8W3N-K-5-LE3				
	–			–	159427	SIM-M8-3WD-5-NSL-PU				
	For PNP N/O contact, switching status indication yellow LED, ready status indication green LED	123	541340	NEBU-M8W3P-K-5-LE3						
	–	–	159425	SIM-M8-3WD-5-PSL-PU						
	10	Straight	–	242	★ 541332	NEBU-M8G3-K-10-LE3				
			–	–	192964	SIM-M8-3GD-10-PU				
		Angled	–	242	★ 541335	NEBU-M8W3-K-10-LE3				
			–	–	192965	SIM-M8-3WD-10-PU				
	Suitable for use with energy chains	5	Straight	–	123	569843	NEBU-M8G3-E-5-LE3			
		10	Straight	–	242	569842	NEBU-M8G3-E-10-LE3			
	Suitable for robot applications	2.5	Straight	–	64	569845	NEBU-M8G3-R-2.5-LE3			
			Angled	–	64	569847	NEBU-M8W3-R-2.5-LE3			
		5	Straight	–	123	569846	NEBU-M8G3-R-5-LE3			
		10	Straight	–	242	8003129	NEBU-M8G3-R-10-LE3			
Socket, 3-pin, M8 – plug, 3-pin, M8										
	Standard	Straight – straight	–	0.5	22	★ 541346	NEBU-M8G3-K-0.5-M8G3			
				1	33	★ 541347	NEBU-M8G3-K-1-M8G3			
				1.5	45	8003133	NEBU-M8G3-K-1.5-M8G3			
				2	57	8003131	NEBU-M8G3-K-2-M8G3			
				2.5	69	★ 541348	NEBU-M8G3-K-2.5-M8G3			
				3	80	8003132	NEBU-M8G3-K-3-M8G3			
				5	128	★ 541349	NEBU-M8G3-K-5-M8G3			
				10	246	569844	NEBU-M8G3-K-10-M8G3			
				Suitable for use with energy chains	3.5	Straight – straight	–	92	559364	NEBU-M8G3-E-3.5-M8G3

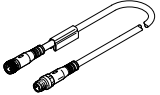
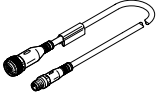
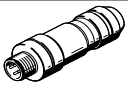
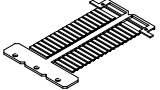

Festo core product range



Generally ready for dispatch from the factory within 24 hours

Generally ready for dispatch from the factory within 5 days

Data sheet

Ordering data							
	Cable characteristic	Cable length [m]	Outlet direction	Special features	Product weight [g]	Part no.	Type
Socket, 3-pin, M8 – plug, 4-pin, M8							
	Standard	2.5	Straight – straight	–	69	554037	NEBU-M8G3-K-2.5-M8G4
Socket, 3-pin, M8 – plug, 3-pin, M12							
	Standard	0.5	Straight – straight	–	29	8000209	NEBU-M8G3-K-0.5-M12G3
		1	Straight – straight	Without inscription label holder	39	8091512	NEBU-M8G3-K-1-N-M12G3
Ordering data – Accessories							
Designation						Part no.	Type
Plugs							
	Plugs for self-assembly					–	→ Internet: necu
						–	→ Internet: sea
Inscription labels							
	Inscription labels 23 mm for holder, 34 pieces, in frame					541598	ASLR-L-423
Safety clip							
	Prevents the screw-type lock from being released easily (without a tool), to be fastened securely to the cable			For M8		548067	NEAU-M8-GD
				For M12		548068	NEAU-M12-GD

Data sheet

Connecting cable

NEBU-M8

SIM-M8

- Connecting cable for connecting inputs/outputs
- Pre-assembled at one end, pre-assembled at both ends
- Cable lengths 0.1 ... 30 m
- 2, 3 or 4 wires
- M8x1 socket, 4-pin



General technical data

Type		NEBU	SIM
Conforms to standard	Code -K-, code -E-	EN 61076-2-104	–
		EN 61076-2-101	–
	Wire colours and connection numbers to EN 60947-5-2	–	
	Code -R-	Wire colours and connection numbers to EN 60947-5-2	–
		–	EN 61076-2-104
Based on standard	Code -R-	–	EN 61984
Cable designation		With 2x inscription label holders	–
Degree of protection		IP65, IP68, IP69K	IP65, IP68
Note on degree of protection		In assembled state	–

Technical data – Electrical connection 1

Type		NEBU	SIM
Function		Field device side	Field device side
Design		Round	Round
Connection type		Socket	Socket
Cable outlet		Straight, angled	Straight, angled
Connection technology		M8x1, A-coded to EN 61076-2-104	M8x1, A-coded to EN 61076-2-104
Number of pins/wires		4	4
Assigned pins/wires		2 3 4	4
Type of mounting		Screw-type lock	–

Technical data – Electrical components

Type		NEBU	SIM
Operating voltage range	Without switching status indication	[V DC]	0 ... 30
		[V AC]	0 ... 30
	With switching status indication	[V DC]	21.6 ... 30
		[V AC]	21.6 ... 30
Surge resistance	[kV]	0.8	
Current rating at 40°C	[A]	3	

Data sheet

Technical data – Cable			NEBU		SIM
Type					
Cable characteristic	Code -K-		Standard		–
	Code -E-		Suitable for energy chains		–
	Code -R-		Suitable for robot applications		–
			–		Standard
Cable testing conditions			Bending strength: to Festo standard		Bending strength: to Festo standard
			Test conditions on request		Test conditions on request
	Cable characteristic	Standard	Energy chain: 5 million cycles, bending radius 75 mm		Energy chain: 5 million cycles, bending radius 75 mm
		Suitable for energy chains	Energy chain: 5 million cycles, bending radius 28 mm		–
Suitable for robot applications		Energy chain: 5 million cycles, bending radius 28 mm		–	
		Torsional resistance more than 300000 cycles, $\pm 270^\circ/0.1$ m		–	
Cable diameter	Without switching status indication	[mm]	4.5		4.5
	With switching status indication	[mm]	3.4		–
Cable diameter tolerance		[mm]	± 0.1		–
Cable composition	Without switching status indication	[mm ²]	3x 0.25	4x 0.25	4x 0.25
	With switching status indication	[mm ²]	2x 0.25		–
Conductor nominal cross section		[mm ²]	0.25		0.25

Technical data – Electrical connection 2					
Type	NEBU				SIM
Function	Controller side				
Connection type	Cable	Plug	Plug	Plug	Cable
Design	–	Round	Round	Round	–
Cable outlet	–	Straight, angled	Straight, angled	Straight, angled	–
Connection technology	Open end	M8x1, A-coded to EN 61076-2-104	M12x1, A-coded to EN 61076-2-101	M12x1, A-coded to EN 61076-2-101	Open end
Number of pins/wires	4	3	4	4	4
Assigned pins/wires	Without switching status indication	4	3	4	4
	With switching status indication	2	3	4	2
Type of mounting	–	Screw-type lock	Screw-type lock	Screw-type lock	–

Data sheet

Materials			NEBU	SIM
Type				
Housing			TPE-U(PUR)	TPE-U(PU)
Housing colour			Black	Black
Cable sheath	Cable characteristic: standard, suitable for energy chains, suitable for robot applications		TPE-U(PUR)	TPE-U(PU)
Cable sheath colour			Grey	Grey
Insulating sheath	Cable characteristic: suitable for energy chains, suitable for robot applications, standard		PP	PP
Wire insulation colour code			–	Blue, brown, black, white
Screw-type lock			Nickel-plated brass	Nickel-plated brass
Note on materials	All types		RoHS-compliant	RoHS-compliant
			Free of copper and PTFE	–
			Halogen-free	Halogen-free
			Free of phosphoric acid ester	Free of phosphoric acid ester
Special characteristics	Cable characteristic: standard, suitable for energy chains, suitable for robot applications		Oil resistant	–

Operating and environmental conditions				
Type			NEBU	SIM
Ambient temperature	Cable characteristic: standard	[°C]	–25 ... +70	–25 ... +80
	Cable characteristic: suitable for energy chains, suitable for robot applications	[°C]	–25 ... +80	–
Ambient temperature with flexible cable installation	Cable characteristic: standard	[°C]	–5 ... +70	–5 ... +80
	Cable characteristic: suitable for energy chains, suitable for robot applications	[°C]	–5 ... +80	–
Corrosion resistance CRC ¹⁾			2	2
CE marking (see declaration of conformity) ²⁾			–	To EU RoHS Directive
	Electrical connection 2: • Plug M8, 3-pin • Plug M12, 3-pin • Plug M12, 4-pin		To EU Low-Voltage Directive	–
Pollution degree			3	3

1) Corrosion resistance class CRC 2 to Festo standard FN 940070

Moderate corrosion stress. Indoor applications in which condensation can occur. External visible parts with primarily decorative surface requirements which are in direct contact with a normal industrial environment.

2) Additional information www.festo.com/sp → Certificates.

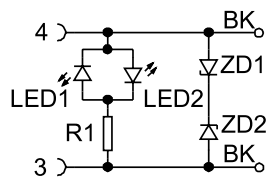
Data sheet

Circuitry (socket view)					
Socket	Pin	Wire colour ¹⁾	Plug		
Electrical connection, socket, 4-pin, M8 – open cable end					
	1	BN	-		
	2	WH	-		
	3	BU	-		
	4	BK	-		
Electrical connection, socket, 4-pin, M8 – plug, 3-pin			Plug M8		
	1	BN	1		
	2	WH	-		
	3	BU	3		
	4	BK	4		
Electrical connection, socket, 4-pin, M8 – plug, 4-pin			Plug M8	Plug M12	
	1	BN	1		
	2	WH	2		
	3	BU	3		
	4	BK	4		
Electrical connection, socket, 4-pin, M8, with display of code L			Plug M8, 3-pin	Plug M12, 3-pin	
	1	-	1		
	2	-	2		
	3	BK	3		
	4	BK	4	Plug M8, 4-pin	Open cable end
				-	

1) To IEC 757

Circuitry, switching status indication

Display of code L

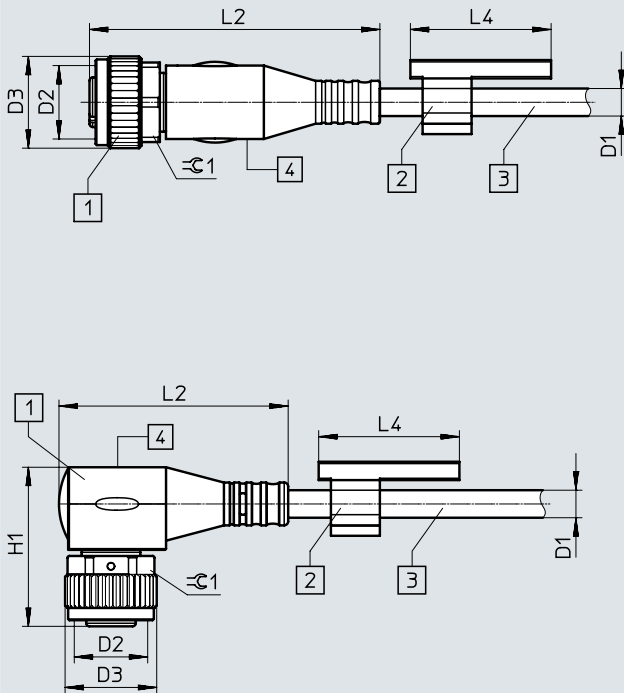


Data sheet

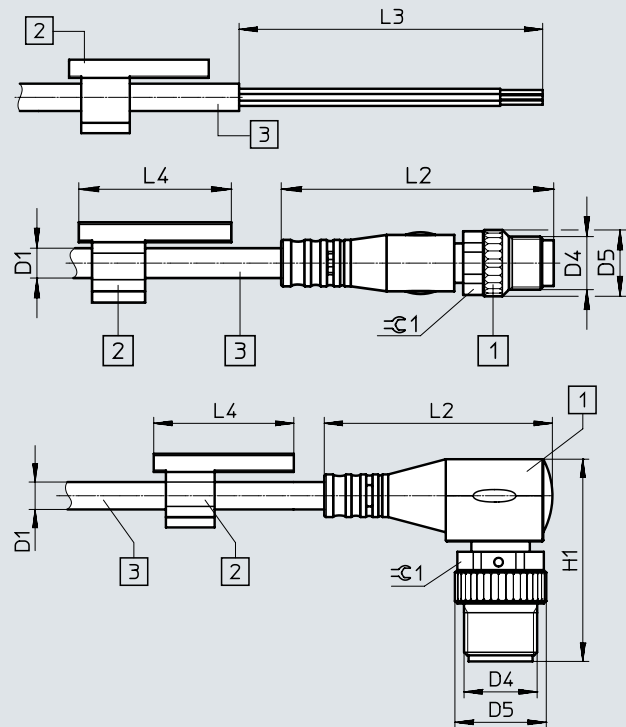
Dimensions

Download CAD data → www.festo.com

Connection technology, left



Connection technology, right



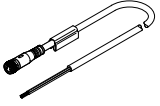
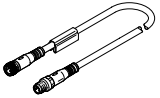
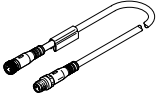
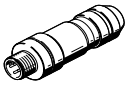
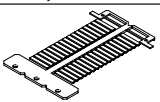

- [1] Socket M8x1
- [2] Inscription label holder

- [3] Cable, length 0.1 ... 30 m depending on the order
- [4] Display field with version L

Connection technology, left	D1 ø	D2	D3 ø	L2	L4	H1	±0.1
NEBU							
Straight socket	4.5	M8x1	10	34.6	23	-	9
Angled socket	4.5	M8x1	10	26.9	23	17	9
Rotatable socket	4.5	M8x1	10	20.9	23	16.3	9
NEBU with display							
Straight socket	3.4	M8x1	10	34.6	23	-	9
Angled socket	3.4	M8x1	10	26.9	23	17	9
SIM							
Straight socket	4.5	M8x1	10	34.6	-	-	9
Angled socket	4.5	M8x1	10	26.9	-	17	9

Connection technology, right	D1 ø	D4	D5 ø	L2	L3	L4	H1	±0.1
NEBU								
Open end	4.5	-	-	-	50	23	-	-
Straight plug	4.5	M8x1	10	41.1	-	23	-	9
	4.5	M12x1	15	54.5	-	23	-	13
Angled plug	4.5	M8x1	10	26.9	-	23	24	9
	4.5	M12x1	15	37.5	-	23	33.2	13
NEBU with display								
Straight plug	3.4	M8x1	10	41.1	-	23	-	9
	3.4	M12x1	15	54.5	-	23	-	13
Angled plug	3.4	M8x1	10	26.9	-	23	24	9
	3.4	M12x1	15	37.5	-	23	33.2	13
SIM								
Open end	4.5	-	-	-	50	-	-	-

Data sheet

Ordering data								
	Cable characteristic	Cable length [m]	Outlet direction	Special features	Product weight [g]	Part no.	Type	
Socket, 4-pin, M8 – open cable end								
	Standard	2.5	Straight	–	72	541342	NEBU-M8G4-K-2.5-LE4	
			Angled	–	72	158960	SIM-M8-4GD-2,5-PU	
		5	Straight	–	138	541343	NEBU-M8G4-K-5-LE4	
			Angled	–	138	158961	SIM-M8-4GD-5-PU	
			Straight	–	138	541345	NEBU-M8W4-K-5-LE4	
			Angled	–	138	158963	SIM-M8-4WD-5-PU	
	9	Straight	–	245	8003130	NEBU-M8G4-K-9-LE4		
	10	Angled	–	272	575833	NEBU-M8W4-K-10-LE4		
	Socket, 4-pin, M8 – plug, 4-pin, M8							
		Standard	2.5	Straight – straight	–	76	554035	NEBU-M8G4-K-2.5-M8G4
Suitable for robot applications		2	Straight – straight	–	63	556946	NEBU-M8G4-R-2-M8G4	
Socket, 4-pin, M8 – plug, 4-pin, M12								
	Standard	1	Straight – straight	Without inscription label holder	42.5	8091513	NEBU-M8G4-K-1-N-M12G4	
Ordering data – Accessories								
Designation						Part no.	Type	
Plugs								
	Plugs for self-assembly				–	→ Internet: necu		
					–	→ Internet: sea		
Inscription labels								
	Inscription labels 23 mm for holder, 34 pieces, in frame				541598	ASLR-L-423		
Safety clip								
	Prevents the screw-type lock from being released easily (without a tool), to be fastened securely to the cable				For M8	548067	NEAU-M8-GD	
					For M12	548068	NEAU-M12-GD	

Data sheet

Connecting cable SIM-M12

- Connecting cable for connecting inputs/outputs
- Pre-assembled at one end
- Cable length 3 m
- 3 wires
- M12x1 socket, 4-pin



General technical data

Conforms to standard	EN 61076-2-101
	EN 61984
	Wire colours and connection numbers to EN 60947-5-2
Cable designation	Without inscription label holder
Degree of protection	IP65, IP67
Note on degree of protection	In assembled state

Technical data – Electrical connection 1

Function	Field device side
Design	Round
Connection type	Socket
Cable outlet	Straight, angled
Connection technology	M12x1, A-coded to EN 61076-2-101
Number of pins/wires	4
Assigned pins/wires	3
Type of mounting	Screw-type lock

Technical data – Electrical components

Operating voltage range	[V DC]	0 ... 70
	[V AC]	0 ... 45
Surge resistance	[kV]	2.5
Current rating at 40°C	[A]	4

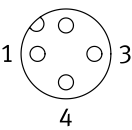
Data sheet

Technical data – Cable			
Cable characteristic	Resistant to welding spatter		
Cable testing conditions	Bending strength: to Festo standard		
	Test conditions on request		
	Energy chain: 5 million cycles, bending radius 75 mm		
Bending radius	Fixed cable installation	[mm]	≥28
	Flexible cable installation	[mm]	≥55
Cable diameter		[mm]	5.2
Cable diameter tolerance		[mm]	±0.3
Cable composition		[mm ²]	3x 0.5
Conductor nominal cross section		[mm ²]	0.5

Technical data – Electrical connection 2	
Function	Controller side
Connection type	Cable
Connection technology	Open end
Number of pins/wires	3
Assigned pins/wires	3
Wire ends	Wire end sleeve

Materials	
Housing	TPE-U(PUR)
Housing colour	Black
Screw-type lock	Chrome-plated brass
Cable sheath	PVC, irradiated
Cable sheath colour	Orange
Insulating sheath	PVC, irradiated
Pin contacts	Gold-plated brass

Operating and environmental conditions		
Ambient temperature	[°C]	-25 ... +80
Ambient temperature with flexible cable installation	[°C]	0 ... +80
Pollution degree		3

Circuitry (socket view)				
Socket	Pin	Wire colour ¹⁾	Pin	Plug
Electrical connection, socket, 4-pin, M12 – open cable end				
	1	BN	-	-
	2	-	-	-
	3	BU	-	-
	4	BK	-	-

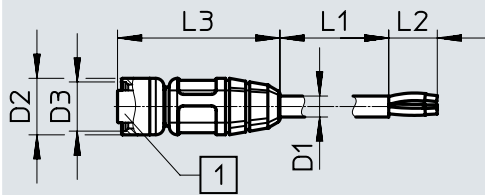
1) To IEC 757

Data sheet

Dimensions

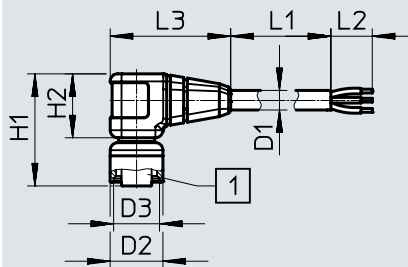
Download CAD data → www.festo.com

SIM-M12-RS-3GD-3



[1] Socket M12x1

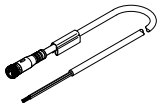
SIM-M12-RS-3WD-3



[1] Socket M12x1

Type	D1 ∅	D2	D3 ∅	L1	L2	L3	H1	H2	D1 ∅
SIM-M12-RS-3GD-3	5.2	M12x1	14	3000	50	40	–	–	5.2
SIM-M12-RS-3WD-3	5.2	M12x1	14	3000	50	32	30	17	5.2

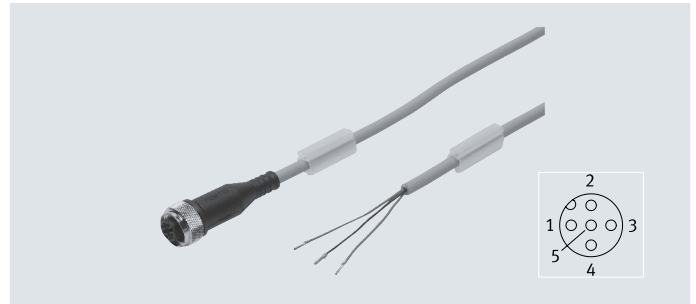
Ordering data

	Cable characteristic	Cable length [m]	Outlet direction	Special features	Product weight [g]	Part no.	Type
Socket, 4-pin, M12 – open cable end							
	Resistant to welding spatter	3	Straight	Resistant to welding spatter	–	30450	SIM-M12-RS-3GD-3
			Angled	Resistant to welding spatter	–	30451	SIM-M12-RS-3WD-3

Data sheet

Connecting cable
NEBU-M12
SIM-M12

- Connecting cable for connecting inputs/outputs
- Pre-assembled at one end, pre-assembled at both ends
- Cable lengths 0.1 ... 30 m
- 2, 3, 4 or 5 wires
- M12x1, 5-pin



General technical data		
Type	NEBU	SIM
Conforms to standard	EN 61076-2-101	EN 61076-2-101
	EN 61076-2-104	–
	Wire colours and connection numbers to EN 60947-5-2	–
	–	EN 61984
Cable designation	With 2x inscription label holders	–
	NEBU-M12G5-...-Q8N-M12G5 Without inscription label holder	–
	NEBU-M12G5-K-1-N-M12G3 Without inscription label holder	–
Degree of protection	IP65, IP68, IP69K	IP65, IP68
Note on degree of protection	In assembled state	–

Technical data – Electrical connection 1		
Type	NEBU	SIM
Function	Field device side	Field device side
Design	Round	Round
Connection type	Socket	Socket
Cable outlet	Straight, angled	Straight, angled
Connection technology	M12x1, A-coded to EN 61076-2-101	M12x1, A-coded
Number of pins/wires	5	5
Assigned pins/wires	2 3 4 5	–
Type of mounting	Screw-type lock	–

Data sheet

Technical data – Electrical components			Without switching status indication	With switching status indication
Operating voltage range	Electrical connection 2	[V DC]	0 ... 60	10 ... 30
	Plug M8, 3-pin	[V AC]	0 ... 60	–
	Electrical connection 2	[V DC]	0 ... 30	10 ... 30
	Plug M8, 4-pin	[V AC]	0 ... 30	–
	Electrical connection 2	[V DC]	0 ... 250	10 ... 30
	Plug M12, 3-pin	[V AC]	0 ... 250	–
	Electrical connection 2	[V DC]	0 ... 250	10 ... 30
	Plug M12, 4-pin	[V AC]	0 ... 250	–
	Electrical connection 2	[V DC]	0 ... 60	–
	Plug M12, 5-pin	[V AC]	0 ... 60	–
	Electrical connection 2	[V DC]	0 ... 250	10 ... 30
	Open end, 3-wire	[V AC]	0 ... 250	–
	Electrical connection 2	[V DC]	0 ... 250	10 ... 30
	Open end, 4-wire	[V AC]	0 ... 250	–
Electrical connection 2	[V DC]	0 ... 60	–	
Open end, 5-wire	[V AC]	0 ... 60	–	
Surge resistance	Electrical connection 2	[kV]	1.5	0.8
	Plug M8, 3-pin			
	Electrical connection 2	[kV]	0.8	0.8
	Plug M8, 4-pin			
	Electrical connection 2	[kV]	2.5	0.8
	Plug M12, 3-pin			
	Electrical connection 2	[kV]	2.5	0.8
	Plug M12, 4-pin			
	Electrical connection 2	[kV]	1.5	–
	Plug M12, 5-pin			
Electrical connection 2	[kV]	2.5	0.8	
Open end, 3-wire				
Electrical connection 2	[kV]	2.5	0.8	
Open end, 4-wire				
Electrical connection 2	[kV]	1.5	–	
Open end, 5-wire				
Current rating at 40°C		[A]	4	4
	Electrical connection 2	[A]	3	–
	Plug M8			

Data sheet

Technical data – Cable		NEBU					SIM				
Type											
Cable characteristic	Code -K-	Standard					–				
	Code -E-	Suitable for energy chains					–				
	Code -R-	Suitable for robot applications					–				
		–					Standard				
Cable testing conditions		Bending strength: to Festo standard					Bending strength: to Festo standard				
		Test conditions on request					Test conditions on request				
	Cable characteristic	Standard	Energy chain: 5 million cycles, bending radius 75 mm					Energy chain: 5 million cycles, bending radius 75 mm			
		Suitable for energy chains	Energy chain: 5 million cycles, bending radius 28 mm					–			
		Code -Q8N-	Energy chain: 5 million cycles, bending radius 75 mm					–			
	Suitable for robot applications	Energy chain: 5 million cycles, bending radius 28 mm					–				
		Torsional resistance more than 300000 cycles, $\pm 270^\circ/0.1$ m					–				
Cable diameter		[mm]	4.5					4.5			
	Code -Q8N-	[mm]	7					–			
Cable diameter tolerance		[mm]	± 0.1					–			
Cable composition		[mm ²]	–	2x 0.25	3x 0.25	4x 0.25	5x 0.25	3x 0.25	4x 0.25	5x 0.25	
	Code -Q8N-	[mm ²]	5x 1	–	–	–	–	–	–	–	
Conductor nominal cross section		[mm ²]	–	0.25	0.25	0.25	0.25	0.25	0.25	0.25	
	Code -Q8N-	[mm ²]	1	–	–	–	–	–	–	–	

Technical data – Electrical connection 2		NEBU					SIM					
Type												
Function		Controller side										
Connection type		Cable			Plug		Plug		Cable			
Design		–			Round		Round		–			
Cable outlet		–			Straight, angled		Straight, angled		–			
Connection technology		Open end			M8x1, A-coded to EN 61076-2-104		M12x1, A-coded to EN 61076-2-101		Open end			
Number of pins/wires		3	4	5	3	4	3	4	5	3	4	5
Assigned pins/wires	Without switching status indication	3	4	5	3	4	3	4	5	–	–	–
	With switching status indication	3	4	–	3	4	3	4	–	–	–	–
Type of mounting		–	–	–	Screw-type lock			–	–	–	–	

Data sheet

Materials			NEBU	SIM
Type				
Housing			TPE-U(PUR)	TPE-U(PU)
Housing colour			Black	Black
Cable sheath			TPE-U(PUR)	TPE-U(PU)
Cable sheath colour			Grey	Grey
Insulating sheath			PP	PP
Wire insulation colour code			–	Blue, brown, black
			–	Blue, brown, black, white
			–	Blue, brown, grey, black, white
Screw-type lock			Nickel-plated brass	Nickel-plated brass
Note on materials			RoHS-compliant	RoHS-compliant
			Free of copper and PTFE	–
			Halogen-free	Halogen-free
			Free of phosphoric acid ester	Free of phosphoric acid ester
Special characteristics			Oil resistant	–

Operating and environmental conditions			NEBU	SIM
Ambient temperature	Cable characteristic: standard	[°C]	–25 ... +70	–25 ... +80
	Cable characteristic: suitable for energy chains, suitable for robot applications	[°C]	–25 ... +80	–
Ambient temperature with flexible cable installation	Cable characteristic: standard	[°C]	–5 ... +70	–5 ... +80
	Cable characteristic: suitable for energy chains, suitable for robot applications	[°C]	–5 ... +80	–
Corrosion resistance CRC ¹⁾			2	2
CE marking (see declaration of conformity) ²⁾	Without switching status indication		To EU Low-Voltage Directive	To EU Low-Voltage Directive
	With switching status indication		–	–
	With plug M8, 4-pin		–	–
Pollution degree			3	3

1) Corrosion resistance class CRC 2 to Festo standard FN 940070

Moderate corrosion stress. Indoor applications in which condensation can occur. External visible parts with primarily decorative surface requirements which are in direct contact with a normal industrial environment.

2) Additional information www.festo.com/sp → Certificates.

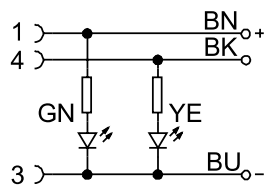
Data sheet

Circuitry (socket view)		Pin	Wire colour ¹⁾	Pin	Plug	
Electrical connection, socket, 5-pin, M12 – open cable end						
		3-wire	4-wire	5-wire	Open cable end	
	1	BN	BN	BN	-	
	2	-	WH	WH	-	
	3	BU	BU	BU	-	
	4	BK	BK	BK	-	
5	-	-	GY	-		
Electrical connection, socket, 5-pin, M12 – cable, 2-wire – plug, 4-pin						
	1		BN	1		
	2		-	-		
	3		BU	2		
	4		-	-		
	5		-	-		
Electrical connection, socket, 5-pin, M12 – cable, 3-wire – plug, 3-pin/4-pin						
	1		BN	1		
	2		-	-		
	3		BU	3		
	4		BK	4		
	5		-	-		
Electrical connection, socket, 5-pin, M12 – plug, 4-pin						
	1		BN	1		
	2		WH	2		
	3		BU	3		
	4		BK	4		
	5		-	-		
Electrical connection, socket, 5-pin, M12 – plug, 5-pin						
	1		BN	1		
	2		WH	2		
	3		BU	3		
	4		BK	4		
	5		GY	5		

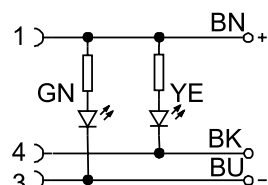
1) To IEC 757

Circuitry, switching status indication

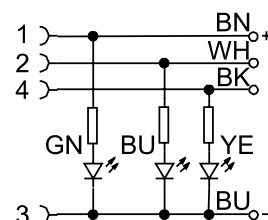
Display of code -P-



Display of code N



Display of code -P2

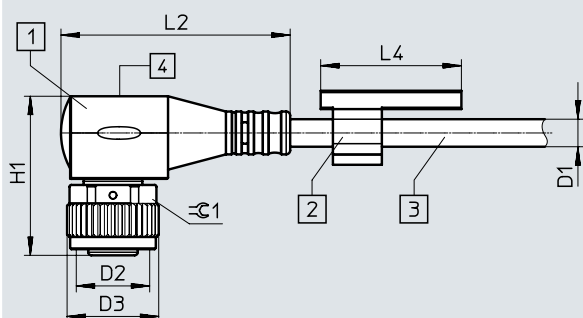
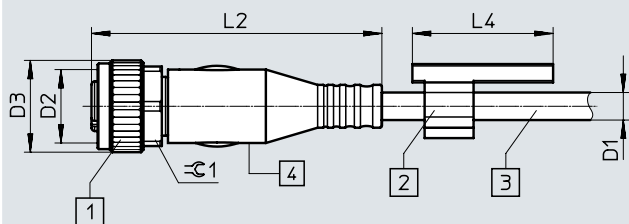


Data sheet

Dimensions

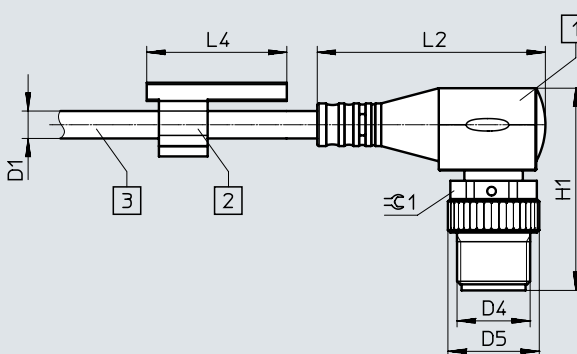
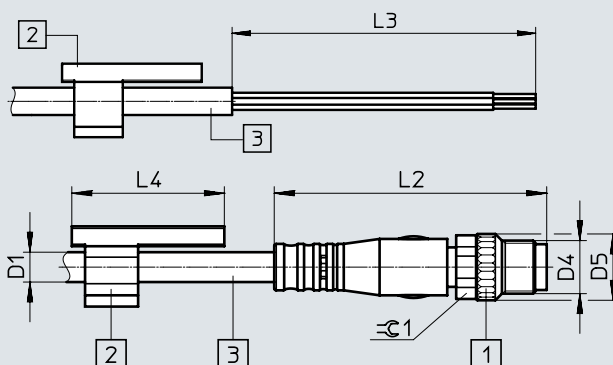
Download CAD data → www.festo.com

Connection technology, left



- [1] Socket M12x1
- [2] Inscription label holder

Connection technology, right

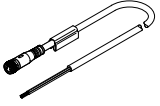
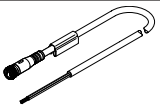
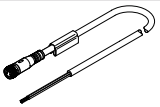


- [3] Cable, length 0.1 ... 30 m depending on the order
- [4] Display field with version P, N or P2

Connection technology, left	D1 ø	D2	D3 ø	L2	L4	H1	≈C1
NEBU							
Straight socket	4.5	M12x1	15	47.5	23	-	13
Angled socket	4.5	M12x1	15	37.5	23	26	13
NEBU with display							
Angled socket	4.5	M12x1	15	37.5	23	26	13
NEBU-M12G5-...-Q8N-M12G5							
Straight socket	7	M12x1	15	47.5	-	-	13
SIM							
Straight socket	4.5	M12x1	15	47.5	-	-	13
Angled socket	4.5	M12x1	15	37.5	-	26	13

Connection technology, right	D1 ø	D4	D5 ø	L2	L3	L4	H1	≈C1
NEBU								
Open end	4.5	-	-	-	50	23	-	-
Straight plug	4.5	M8x1	10	41.1	-	23	-	9
	4.5	M12x1	15	54.5	-	23	-	13
Angled plug	4.5	M8x1	10	26.9	-	23	24	9
	4.5	M12x1	15	37.5	-	23	33.2	13
NEBU with display								
Open end	4.5	-	-	-	50	23	-	-
Straight plug	4.5	M8x1	10	41.1	-	23	-	9
	4.5	M12x1	15	54.5	-	23	-	13
Angled plug	4.5	M8x1	10	26.9	-	23	24	9
	4.5	M12x1	15	37.5	-	23	33.2	13
NEBU-M12G5-...-Q8N-M12G5								
Straight plug	7	M12x1	15	54.5	-	-	-	13
SIM								
Open end	4.5	-	-	-	50	-	-	-

Data sheet

Ordering data							
	Cable characteristic	Cable length [m]	Outlet direction	Special features	Product weight [g]	Part no.	Type
Socket, 5-pin, M12 – open cable end, 3-wire							
	Standard	2.5	Straight	–	69	★ 541363	NEBU-M12G5-K-2.5-LE3
				–	–	159428	SIM-M12-3GD-2,5-PU
			Switching status indication, for PNP N/O contact	70	541366	NEBU-M12W5P-K-2.5-LE3	
				70	541367	NEBU-M12W5-K-2.5-LE3	
			Angled	–	–	159430	SIM-M12-3WD-2,5-PU
				Switching status indication, for NPN N/O contact	70	541365	NEBU-M12W5N-K-2.5-LE3
		5	Straight	–	128	★ 541364	NEBU-M12G5-K-5-LE3
				–	–	159429	SIM-M12-3GD-5-PU
			Angled	–	129	541370	NEBU-M12W5-K-5-LE3
				–	–	159431	SIM-M12-3WD-5-PU
			Switching status indication, for NPN N/O contact	130	541368	NEBU-M12W5N-K-5-LE3	
			Switching status indication, for PNP N/O contact	130	541369	NEBU-M12W5P-K-5-LE3	
			For PNP N/O contact, switching status indication yellow, ready status indication green	–	159433	SIM-M12-3WD-5-PSL-PU	
			Socket, 5-pin, M12 – open cable end, 4-wire				
	Standard	2.5	Straight	–	77	★ 550326	NEBU-M12G5-K-2.5-LE4
			Angled	–	78	550325	NEBU-M12W5-K-2.5-LE4
		5	Straight	–	143	★ 541328	NEBU-M12G5-K-5-LE4
			–	–	164259	SIM-M12-4GD-5-PU	
		Angled	–	144	541329	NEBU-M12W5-K-5-LE4	
			–	–	164258	SIM-M12-4WD-5-PU	
		7	Straight	–	197	8003134	NEBU-M12G5-K-7-LE4
		10	Angled	–	278	569841	NEBU-M12W5-K-10-LE4
Socket, 5-pin, M12 – open cable end, 5-wire							
	Standard	2.5	Straight	–	78	541330	NEBU-M12G5-K-2.5-LE5
			–	–	175715	SIM-M12-5GD-2,5-PU	
		Angled	–	79	567843	NEBU-M12W5-K-2.5-LE5	
			–	–	–	–	
		5	Straight	–	146	541331	NEBU-M12G5-K-5-LE5
			–	–	175716	SIM-M12-5GD-5-PU	
Angled	–	147	567844	NEBU-M12W5-K-5-LE5			
10	Straight	–	283	554038	NEBU-M12G5-K-10-LE5		

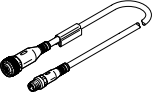
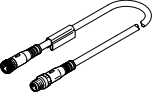
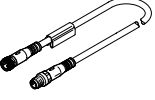
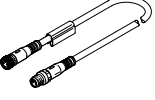
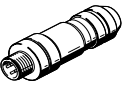
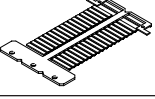

Festo core product range



Generally ready for dispatch from the factory within 24 hours

Generally ready for dispatch from the factory within 5 days

Data sheet

Ordering data							
	Cable characteristic	Cable length [m]	Outlet direction	Special features	Product weight [g]	Part no.	Type
Socket, 5-pin, M12 – plug, 4-pin, M8							
	Standard	2.5	Straight – straight	–	81	554036	NEBU-M12G5-K-2.5-M8G4
	Suitable for use with energy chains		Straight – straight	Cable, 2-wire	74	554034	NEBU-M12G5-E-2.5-W2-M8G4-V1
				Cable, 3-wire	74	554033	NEBU-M12G5-E-2.5-W3-M8G4-V2
Socket, 5-pin, M12 – plug, 3-pin, M12							
	Standard	1	Straight – straight	Without inscription label holder	44	8091511	NEBU-M12G5-K-1-N-M12G3
Socket, 5-pin, M12 – plug, 4-pin, M12							
	Standard	0.5	Straight – straight	–	36	8000208	NEBU-M12G5-K-0.5-M12G4
Socket, 5-pin, M12 – plug, 5-pin, M12							
	Standard	0.5	Straight – angled	–	37	8003617	NEBU-M12G5-K-0.5-M12W5
			Angled – angled	–	38	570733	NEBU-M12W5-K-0.5-M12W5
	Suitable for use with energy chains	2	Straight – angled	–	77	8003618	NEBU-M12G5-K-2-M12W5
			Angled – angled	–	78	570734	NEBU-M12W5-K-2-M12W5
		5	Straight – straight	Conductor nominal cross section 1 mm ²	158	574321	NEBU-M12G5-E-5-Q8N-M12G5
		7.5	Straight – straight	Conductor nominal cross section 1 mm ²	227	574322	NEBU-M12G5-E-7.5-Q8N-M12G5
10	Straight – straight	Conductor nominal cross section 1 mm ²	295	574323	NEBU-M12G5-E-10-Q8N-M12G5		
Ordering data – Accessories							
Designation						Part no.	Type
Plugs							
	Plugs for self-assembly					–	→ Internet: necu
						–	→ Internet: sea
Inscription labels							
	Inscription labels 23 mm for holder, 34 pieces, in frame					541598	ASLR-L-423
Safety clip							
	Prevents the screw-type lock from being released easily (without a tool), to be fastened securely to the cable				For M8	548067	NEAU-M8-GD
					For M12	548068	NEAU-M12-GD

Data sheet

Plug socket with cable

NEBU-M12

SIM-M12-8

KM12-8

- Pre-assembled at one end, pre-assembled at both ends
- Cable lengths 2 m, 5 m, 10 m, 15 m, 20 m and 25 m
- 8 wires
- M12x1 socket, 8-pin



General technical data			
Type	NEBU	SIM	KM12
Conforms to standard	EN 61076-2-101	EN 61076-2-101	–
	–	DIN 47100	–
Cable designation	Without inscription label holder	Without inscription label holder	Without inscription label holder
Degree of protection	IP67	IP67	IP67
Note on degree of protection	In assembled state	In assembled state	In assembled state

Technical data – Electrical connection 1			
Type	NEBU	SIM	KM12
Function	Field device side		
Design	Round		
Connection type	Socket		
Cable outlet	Angled	Straight	Straight
Connection technology	M12x1, A-coded to EN 61076-2-101		
Number of pins/wires	8		
Assigned pins/wires	8		
Type of mounting	Screw-type lock		
Connection frequency	–	–	50

Technical data – Electrical components				
Type	NEBU	SIM	KM12	
Nominal operating voltage	[V DC]	–	–	30
Operating voltage range	[V DC]	0 ... 30	0 ... 30	0 ... 30
	[V AC]	0 ... 30	0 ... 30	0 ... 30
Surge resistance	[kV]	0.8	0.8	0.8
Current rating at 40°C	[A]	2	2	2

Technical data – Cable				
Type	NEBU	SIM	KM12	
Cable characteristic	Standard	Standard	Standard	
	–	–	Test conditions on request	
Bending radius	Fixed cable installation [mm]	≥32	≥32	≥32
	Flexible cable installation [mm]	≥66	≥66	≥64
Cable diameter	[mm]	6.3	6.3	6.2
Cable diameter tolerance	[mm]	±0.2	±0.2	±0.2
Cable composition	[mm ²]	8x 0.25		
		Shielded		
Conductor nominal cross section	[mm ²]	0.25		

Data sheet

Technical data – Electrical connection 2			
Type	NEBU	SIM	KM12
Function	Controller side		
Connection type	Cable	Cable	Plug
Design	–	–	Round
Cable outlet	–	–	Straight
Connection technology	Open end	Open end	M12x1, A-coded to EN 61076-2-101
Number of pins/wires	8	8	8
Assigned pins/wires	8	8	8
Wire ends	Tin-plated	Tin-plated	
Type of mounting	–	–	Screw-type lock

Materials			
Type	NEBU	SIM	KM12
Housing	TPE-U(PUR)	TPE-U(PUR)	–
Housing colour	–	–	–
Cable sheath	TPE-U(PUR)	TPE-U(PUR)	TPE-U(PUR)
Cable sheath colour	Grey	Grey	Grey
Insulating sheath	PP	PP	PP
	–	–	TPE-U(PUR)
Screw-type lock	–	Nickel-plated brass	Nickel-plated brass
	–	–	Chrome-plated brass
Union nut	Nickel-plated brass	–	–
Seals	NBR	–	NBR
Pin contacts	Gold-plated brass	Gold-plated bronze	Nickel-plated and gold-plated brass
Note on materials	RoHS-compliant	RoHS-compliant	RoHS-compliant

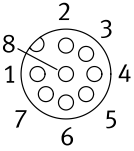
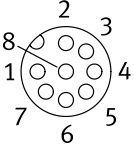
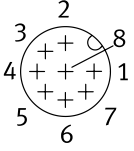
Operating and environmental conditions			
Type	NEBU	SIM	KM12
Ambient temperature	[°C]	–25 ... +80	–25 ... +80
With flexible cable installation	[°C]	–5 ... +80	0 ... +80
Corrosion resistance CRC ¹⁾	2	2	2
CE marking (see declaration of conformity) ²⁾	To EU EMC Directive	To EU EMC Directive	To EU EMC Directive
Pollution degree	3	3	3

1) Corrosion resistance class CRC 2 to Festo standard FN 940070

Moderate corrosion stress. Indoor applications in which condensation can occur. External visible parts with primarily decorative surface requirements which are in direct contact with a normal industrial environment.

2) Additional information www.festo.com/sp → Certificates.

Data sheet

Circuitry (socket view)				
Socket	Pin	Wire colour ¹⁾	Pin	Plug
Electrical connection, socket, 8-pin, M12 – open cable end				
	1	WH	–	–
	2	BN	–	
	3	GN	–	
	4	YE	–	
	5	GY	–	
	6	RS	–	
	7	BU	–	
	8	RD	–	
Electrical connection, socket, 8-pin, M12 – plug, 8-pin				
	1	WH	1	
	2	BN	2	
	3	GN	3	
	4	YE	4	
	5	GY	5	
	6	RS	6	
	7	BU	7	
	8	RD	8	
	Housing	Shielding	Housing	

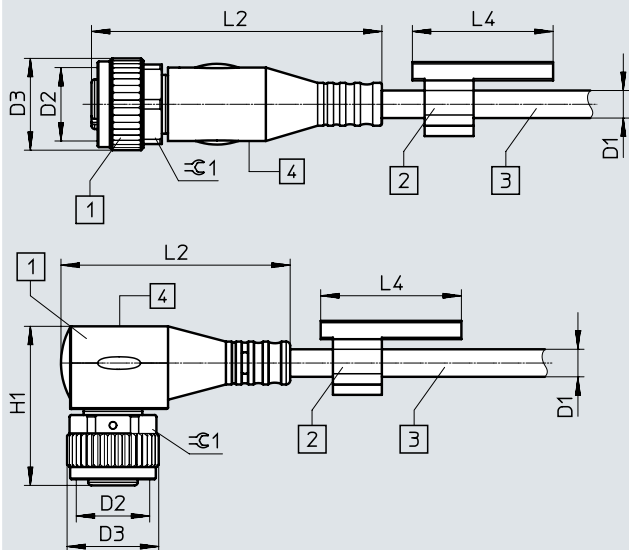
1) To IEC 757

Data sheet

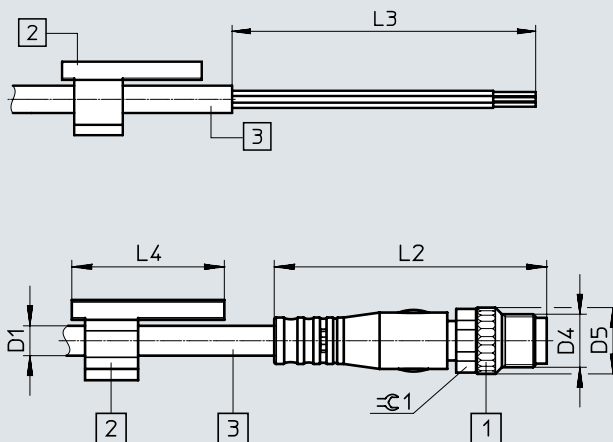
Dimensions

Download CAD data → www.festo.com

Connection technology, left



Connection technology, right



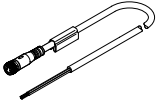
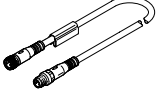
- [1] Socket M12x1
- [2] Inscription label holder, must be ordered separately as an accessory

- [3] Cable, length 2 m, 5 m, 10 m, 15 m, 20 m, 25 m depending on the order

Connection technology, left	D1 ∅	D2	D3 ∅	L2	L4	H1	⊕G1
NEBU							
Angled socket	6.3	M12x1	14.5	33.5	-	26.2	-
SIM							
Straight socket	6.2	M12x1	14.5	-	-	-	-
KM12							
Straight socket	6.2	M12x1	-	-	-	-	-

Connection technology, right	D1 ∅	D4	D5 ∅	L2	L3	L4	⊕G1
NEBU							
Open end	6.3	-	-	-	70	-	-
SIM							
Open end	6.2	-	-	-	70	-	-
KM12							
Straight plug	6.2	M12x1	14.6	-	-	-	-

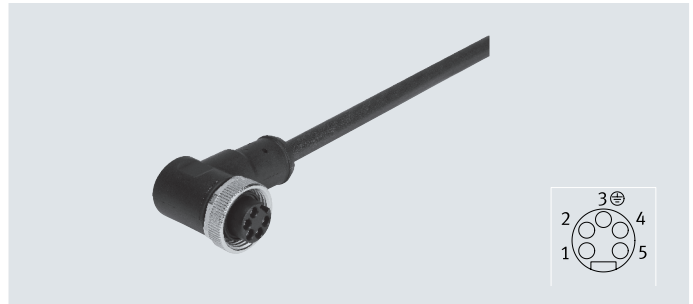
Data sheet

Ordering data							
	Cable characteristic	Cable length [m]	Outlet direction	Special features	Product weight [g]	Part no.	Type
Socket, 8-pin, M12 – open cable end, 8-wire							
	Standard	2	Angled	–	125	542256	NEBU-M12W8-K-2-N-LE8
			Straight	–	–	525616	SIM-M12-8GD-2-PU
		5	Angled	–	292	542257	NEBU-M12W8-K-5-N-LE8
			Straight	–	343	525618	SIM-M12-8GD-5-PU
		10	Angled	–	570	570007	NEBU-M12W8-K-10-N-LE8
			Straight	–	–	570008	SIM-M12-8GD-10-PU
		15	Angled	–	848	8048086	NEBU-M12W8-K-15-N-LE8
			Straight	–	–	5105631	SIM-M12-8GD-15-PU
		20	Straight	–	–	5105632	SIM-M12-8GD-20-PU
		25	Straight	–	–	5105633	SIM-M12-8GD-25-PU
Socket, 8-pin, plug M12, 8-pin, M12							
	–	2	Straight – straight	–	140	525617	KM12-8GD8GS-2-PU

Data sheet

Power supply socket NEBU-G78W5

- Connecting cable for power supply
- Pre-assembled at one end
- 2 m cable length
- 5 wires
- Socket G7/8, 5-pin



General technical data

Based on standard	NFPA/T3.5.29 R1-2007
Cable designation	Without inscription label holder
Degree of protection	IP65, IP67
Note on degree of protection	In assembled state

Technical data – Electrical connection 1

Function	Field device side
Design	Round
Connection type	Socket
Cable outlet	Angled
Connection technology	G7/8 coded to NFPA/T3.5.29 R1-2007
Number of pins/wires	5
Assigned pins/wires	5
Type of mounting	Screw-type lock
Contact durability	100

Technical data – Electrical components

Operating voltage range	[V DC]	0 ... 300
	[V AC]	0 ... 300
Surge resistance	[kV]	4
Current rating at 40°C	[A]	9

Technical data – Cable

Cable characteristic	Standard
Cable testing conditions	Test conditions on request
Bending radius, fixed cable installation	[mm] ≥65
Cable diameter	[mm] 8.7
Cable diameter tolerance	[mm] ±0.2
Cable composition	[mm ²] 5x 1.5
Conductor nominal cross section	[mm ²] 1.5

Technical data – Electrical connection 2

Function	Controller side
Connection type	Cable
Connection technology	Open end
Number of pins/wires	5
Assigned pins/wires	5

Data sheet

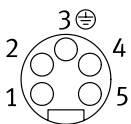
Materials	
Housing	TPE-U(PUR)
Housing colour	Black
Cable sheath	TPE-U(PUR)
Cable sheath colour	Black
Screw-type lock	Nickel-plated brass
Pin contacts	Gold-plated brass
Note on materials	RoHS-compliant

Operating and environmental conditions		
Ambient temperature	[°C]	-20 ... +80
Corrosion resistance CRC ¹⁾		1
CE marking (see declaration of conformity) ²⁾		To EU Low-Voltage Directive
Pollution degree		3

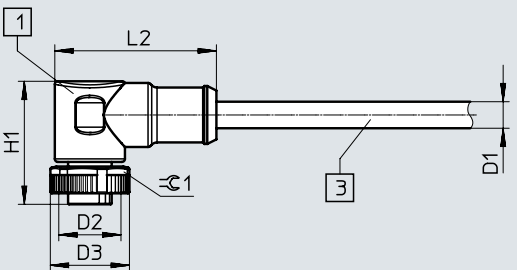
1) Corrosion resistance class CRC 1 to Festo standard FN 940070

Low corrosion stress. Dry internal application or transport and storage protection. Also applies to parts behind coverings, in the non-visible interior area, and parts which are covered in the application (e.g. drive trunnions).

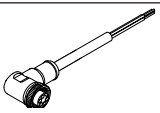
2) Additional information www.festo.com/sp → Certificates.

Circuitry (socket view)					
Socket	Pin	Wire colour ¹⁾	Pin	Plug	
Electrical connection, socket, 5-pin, G7/8 – open cable end					
	1	BK	–	–	
	2	BU	–	–	
	3	GN YE	–	–	
	4	BN	–	–	
	5	WH	–	–	

1) To IEC 757

Dimensions		Download CAD data → www.festo.com				
		<p>[1] Socket G7/8 [3] Cable, length 2 m</p>				
	D1	D2	D3	L2	H1	≈C1
	∅		∅			
NEBU-G78W5	8.7	7/8"	26	53	40.4	24

	D1	D2	D3	L2	H1	≈C1
NEBU-G78W5	8.7	7/8"	26	53	40.4	24

Ordering data							
	Cable characteristic	Cable length [m]	Outlet direction	Special features	Product weight [g]	Part no.	Type
Socket, 5-pin, G7/8 – open cable end							
	Standard	2	Angled	–	300	573855	NEBU-G78W5-K-2-N-LE5

Data sheet

Connecting cable SIM-K

- Connecting cable for low-voltage applications
- Easy-to-clean design
- Pre-assembled at one end
- Cable lengths 2.5 m, 5 m and 10 m
- 3 wires
- Mounting via clip (snap-locking)



General technical data

Conforms to standard	EN 61076-2-104 EN 61984 Wire colours and connection numbers to EN 60947-5-2
Cable designation	Without inscription label holder
Degree of protection	IP65, IP67
Note on degree of protection	In assembled state

Technical data – Electrical connection 1

Function	Field device side
Design	Round
Connection type	Socket
Cable outlet	Straight, angled
Connection technology	M8 snap-locking A-coded to EN 61076-2-104
Number of pins/wires	3
Assigned pins/wires	3
Type of mounting	Snap-locking
Contact durability	100

Technical data – Electrical components

Operating voltage range	[V DC]	0 ... 60
	[V AC]	0 ... 60
Surge resistance	[kV]	1.5
Current rating at 40°C	[A]	3

Technical data – Cable

Cable characteristic	Standard	
Cable testing conditions	Bending strength: to Festo standard	
	Test conditions on request	
	Energy chain: 5 million cycles, bending radius 28 mm	
Bending radius	Fixed cable installation [mm]	≥23
	Flexible cable installation [mm]	≥46
Cable diameter	[mm]	4.5
Cable diameter tolerance	[mm]	±0.1
Cable composition	[mm ²]	3x 0.25
Conductor nominal cross section	[mm ²]	0.25

Technical data – Electrical connection 2

Function	Controller side
Connection type	Cable
Connection technology	Open end
Number of pins/wires	3
Assigned pins/wires	3
Wire ends	Wire end sleeve

Data sheet

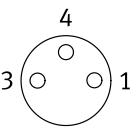
Materials	
Housing	TPE-U(PUR)
Housing colour	Black
Cable sheath	TPE-U(PUR)
Cable sheath colour	Grey
Insulating sheath	PP
Seals	NBR
Pin contacts	Gold-plated brass
Note on materials	RoHS-compliant
	Free of copper and PTFE
	Halogen-free

Operating and environmental conditions			
Ambient temperature		[°C]	-25 ... +70
	With flexible cable installation	[°C]	-5 ... +70
Storage temperature		[°C]	-25 ... +70
Corrosion resistance CRC ¹⁾			4
CE marking (see declaration of conformity) ²⁾			To EU Low-Voltage Directive
Pollution degree			3

1) Corrosion resistance class CRC 4 to Festo standard FN 940070

Particularly high corrosion stress. Outdoor exposure under extreme corrosive conditions. Parts exposed to aggressive media, e.g. in the chemical or food industries. Such applications may need to be safeguarded by special tests (→ also FN 940082), using appropriate media.

2) Additional information www.festo.com/sp → Certificates.

Circuitry (socket view)				
Socket	Pin	Wire colour ¹⁾	Pin	Plug
Electrical connection, socket, 3-pin, clip – open cable end				
	1	BN	-	-
	3	BU	-	-
	4	BK	-	-

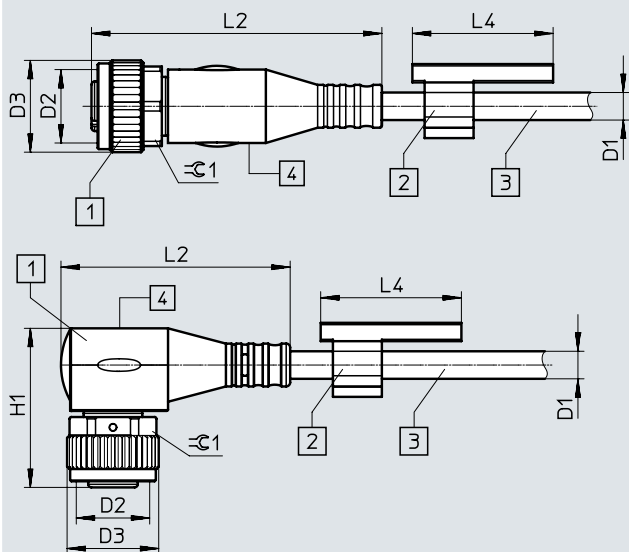
1) To IEC 757

Data sheet

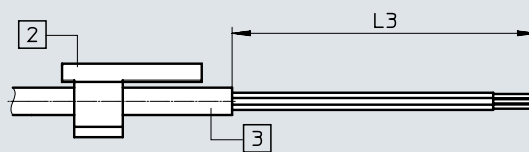
Dimensions

Download CAD data → www.festo.com

Connection technology, left



Connection technology, right



- [1] Socket
- [2] Inscription label holder, must be ordered separately as an accessory

- [3] Cable, length 2.5 m, 5 m, 10 m depending on the order

Connection technology, left	D1 ∅	D2	D3 ∅	L2	L4	H1	≈G1
Straight socket	4.5	–	8.5	33.6	–	–	–
Angled socket	4.5	8.3	8.5	26.1	–	18.4	–

Connection technology, right	D1 ∅	L3
Open end	4.5	50

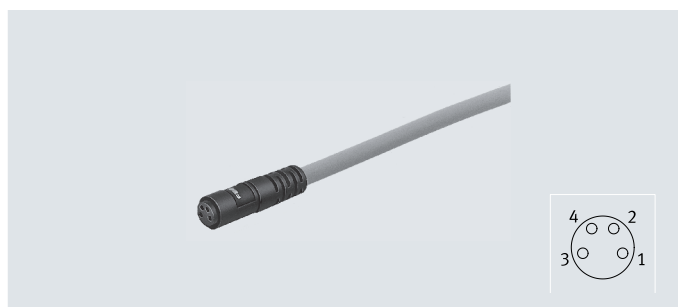
Ordering data

	Cable characteristic	Cable length [m]	Outlet direction	Special features	Product weight [m]	Part no.	Type
	Standard	2.5	Straight	–	–	164257	SIM-K-GD-2,5-PU
			Angled	–	–	164255	SIM-K-WD-2,5-PU
		5	Straight	–	–	164256	SIM-K-GD-5-PU
			Angled	–	–	164254	SIM-K-WD-5-PU
		10	Straight	–	–	192962	SIM-K-GD-10-PU
			Angled	–	–	192963	SIM-K-WD-10-PU

Data sheet

Connecting cable
SIM-K

- Connecting cable for low-voltage applications
- Easy-to-clean design
- Pre-assembled at one end
- Cable lengths 2.5 m and 5 m
- 4 wires
- Mounting via clip (snap-locking)



General technical data

Conforms to standard	EN 61076-2-104 EN 61984 Wire colours and connection numbers to EN 60947-5-2
Cable designation	Without inscription label holder
Degree of protection	IP65, IP67
Note on degree of protection	In assembled state

Technical data – Electrical connection 1

Function	Field device side
Design	Round
Connection type	Socket
Cable outlet	Straight, angled
Connection technology	M8 snap-locking A-coded to EN 61076-2-104
Number of pins/wires	4
Assigned pins/wires	4
Type of mounting	Snap-locking
Contact durability	100

Technical data – Electrical components

Operating voltage range	[V DC]	0 ... 30
	[V AC]	0 ... 30
Surge resistance	[kV]	0.8
Current rating at 40°C	[A]	3

Technical data – Cable

Cable characteristic	Standard	
Cable testing conditions	Bending strength: to Festo standard	
	Test conditions on request	
	Energy chain: 5 million cycles, bending radius 28 mm	
Bending radius	Fixed cable installation [mm]	≥23
	Flexible cable installation [mm]	≥46
Cable diameter	[mm]	4.5
Cable diameter tolerance	[mm]	±0.1
Cable composition	[mm ²]	4x 0.25
Conductor nominal cross section	[mm ²]	0.25

Technical data – Electrical connection 2

Function	Controller side
Connection type	Cable
Connection technology	Open end
Number of pins/wires	4
Assigned pins/wires	4
Wire ends	Wire end sleeve

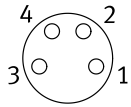
Data sheet

Materials	
Housing	TPE-U(PUR)
Housing colour	Black
Cable sheath	TPE-U(PUR)
Cable sheath colour	Grey
Insulating sheath	PP
Seals	NBR
Pin contacts	Gold-plated brass
Note on materials	RoHS-compliant
	Free of copper and PTFE
	Halogen-free

Operating and environmental conditions			
Ambient temperature		[°C]	-25 ... +70
	With flexible cable installation	[°C]	-5 ... +70
Storage temperature		[°C]	-25 ... +70
Corrosion resistance CRC ¹⁾			4
Pollution degree			3

1) Corrosion resistance class CRC 4 to Festo standard FN 940070

Particularly high corrosion stress. Outdoor exposure under extreme corrosive conditions. Parts exposed to aggressive media, e.g. in the chemical or food industries. Such applications may need to be safeguarded by special tests (→ also FN 940082), using appropriate media.

Circuitry (socket view)				
Socket	Pin	Wire colour ¹⁾	Pin	Plug
Electrical connection, socket, 4-pin, clip – open cable end				
	1	BN	-	-
	2	WH	-	-
	3	BU	-	-
	4	BK	-	-

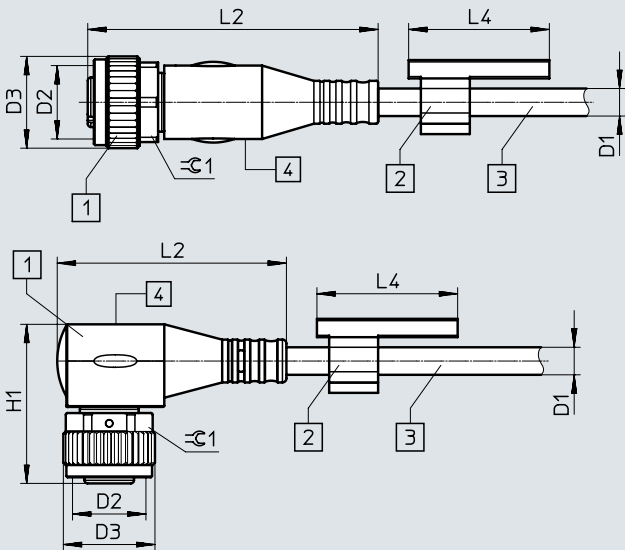
1) To IEC 757

Data sheet

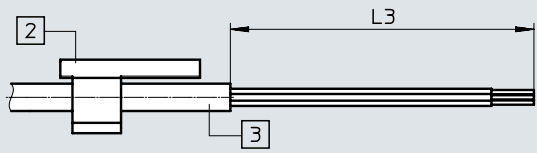
Download CAD data → www.festo.com

Dimensions

Connection technology, left



Connection technology, right



- [1] Socket
- [2] Inscription label holder, must be ordered separately as an accessory

- [3] Cable, length 2.5 m, 5 m depending on the order

Connection technology, left	D1 ø	D2	D3 ø	L2	L4	H1	≈G1
Straight socket	4.5	-	8.5	33.6	-	-	-
Angled socket	4.5	-	8.3	26.1	-	18.4	-

Connection technology, right	D1 ø	L3
Open end	4.5	50

Ordering data

	Cable characteristic	Cable length [m]	Outlet direction	Special features	Product weight [g]	Part no.	Type
	Standard	2.5	Straight	-	-	164250	SIM-K-4-GD-2,5-PU
			Angled	-	-	164252	SIM-K-4-WD-2,5-PU
		5	Straight	-	-	164251	SIM-K-4-GD-5-PU
			Angled	-	-	164253	SIM-K-4-WD-5-PU

Ordering data – Modular product system

Ordering table		Conditions	Code	Enter code
Module no.	539052			
Function	Connecting cable		NEBU	NEBU
Connection technology, left	Open end	[1]	-LE	
	Socket with connecting thread M8		-M8	
	Socket with connecting thread M12, A-coded		-M12	
Socket design	Without (only in the case of open end as connection technology on the left)			
	Straight		G	
	Angled		W	
	Rotatable	[2]	R	
Number of pins/wires (on the left)	3-pin (suitable for open end, plug M8)		3	
	4-pin (suitable for open end, plug M8)		4	
	5-pin (suitable for 3, 4 and 5-pin plug M12)		5	
Indicators	Without LED, DC (standard)			
	LED, NPN	[3]	N	
	LED, DC	[4]	L	
	2x LED, PNP	[5]	P2	
Cable characteristic	Standard		-K	
	Suitable for energy chains		-E	
	Suitable for robot applications		-R	
Cable length	0.1 ... 30 m (0.1 ... 2.5 m in 0.1 m increments, 2.5 ... 30 m in 0.5 m increments)		-...	
Wire cross section	0.25 mm ² (standard)			
	1.00 mm ²	[6]	Q8	
Cable colour	Grey (standard)			
Cable designation	With inscription label holder (standard)			
	Without inscription label holder		-N	
Connection technology, right	Open end (not possible in the case of open end as connection technology on the left)	[1]	-LE	
	Plug with connecting thread M8		-M8	
	Plug with connecting thread M12, A-coded		-M12	
Plug design	Without (only in the case of open end as connection technology on the right)			
	Straight		G	
	Angled		W	
Number of pins/wires (on the right)	2-pin	[7]	2	
	3-pin (suitable for M8/M12 socket)	[8]	3	
	4-pin (suitable for M8/M12 socket)	[8]	4	
	5-pin (suitable for M12 socket)	[8] [9]	5	

- [1] LE With open end LE the number of pins/wires of the open end must be less than or equal to the number of pins of the opposite side.
- [2] R Can only be combined with M8 (connection technology, left), 3-pin (pins/wires on the left), without display, standard wire cross section.
- [3] N Can only be combined with M8 connection technology on the left and socket design W with 3 PINS/wires (on the left), or with M12 connection technology on the left and socket design W with 5 PINS/wires (on the left) and 3 PINS/wires (on the right).
- [4] L Can only be combined with M8 connection technology on the left and 4 PINS/wires (on the left) and M8 connection technology on the right with 3 or 4 PINS/wires (on the left) or M12 connection technology on the right with 2 PINS/wires (on the left) or LE connection technology on the right with 2 PINS/wires (on the left).
Can only be combined with cable characteristic K.
- [5] P2 Can only be combined with M12 connection technology on the left and socket design W with 4 PINS/wires (on the right).
- [6] Q8 Can only be combined with M12 connection technology on the left and socket design G with 5 PINS/wires (on the left), and with M12 connection technology on the right and plug design G with 5 PINS/wires (on the left).
Can only be combined with cable characteristic E.
- [7] 2 Can only be combined with M12 or LE connection technology on the right and L display.
Can only be combined with cable characteristic K.
- [8] 3, 4, 5
With LE connection technology on the left, the number of wires (on the left) is copied over.
- [9] 5 Can only be combined with M12 or LE connection technology on the left.

Festo - Your Partner in Automation



1 Festo Inc.
5300 Explorer Drive
Mississauga, ON L4W 5G4
Canada

Festo Customer Interaction Center
Tel: 1 877 463 3786
Fax: 1 877 393 3786
Email: customer.service.ca@festo.com

2 Festo Pneumatic
Av. Ceylán 3,
Col. Tequesquináhuac
54020 Tlalneantla,
Estado de México

Multinational Contact Center
01 800 337 8669
ventas.mexico@festo.com

3 Festo Corporation
1377 Motor Parkway
Suite 310
Islandia, NY 11749

Festo Customer Interaction Center
1 800 993 3786
1 800 963 3786
customer.service.us@festo.com

4 Regional Service Center
7777 Columbia Road
Mason, OH 45040

Connect with us



www.festo.com/socialmedia



www.festo.com

Subject to change