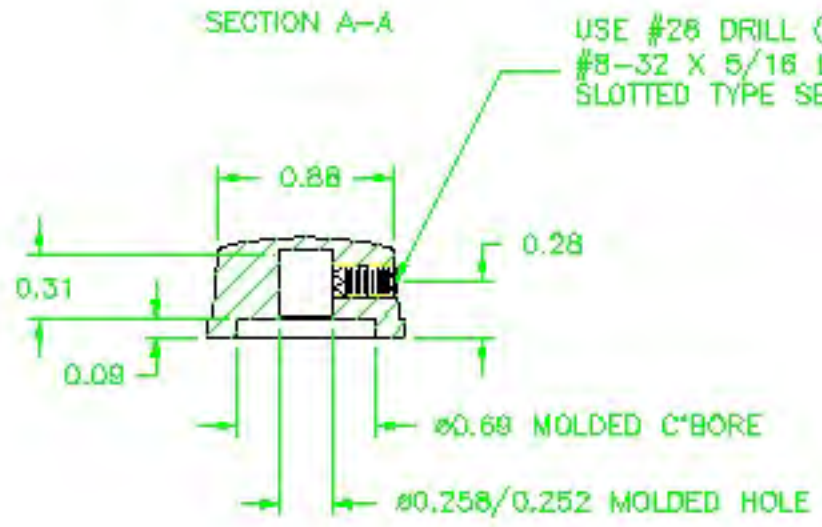
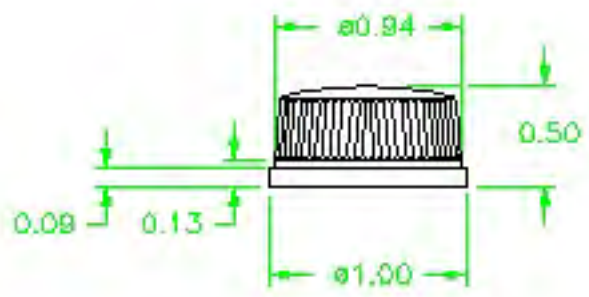
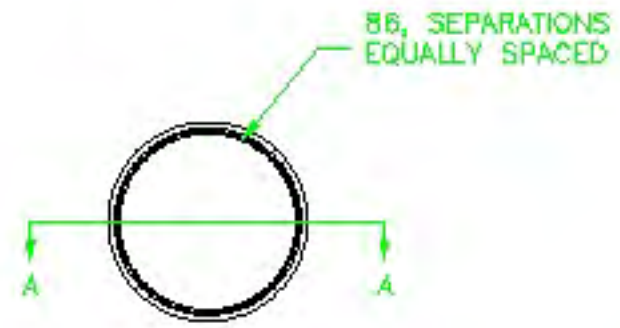


PART NAME: KNOB SCALE: 1:1 DATE: 7/14/50 DR. BY: JWC

DAVIES MOLDING COMPANY
CAROL STREAM, ILLINOIS 60188

P/N 1475	
BASE PART	1475-05
SET SCREW	I0358

THIS DRAWING IS THE PROPERTY OF DAVIES MOLDING COMPANY, IS SUBMITTED SOLELY AS A DESIGN OR ENGINEERING PROJECT. WE ACCEPT NO RESPONSIBILITY WHATSOEVER FOR THE PRACTICAL APPLICATION OF THE PIECES MADE TO THIS DESIGN.



MATERIAL: G.P. PHENOLIC (B11)
COLOR: BLACK

TOLERANCES: UNLESS OTHERWISE SPECIFIED	DO NOT SCALE DRAWING			
DECIMALS: X.XXX \pm .005 X.XX \pm .015	MM: X.XX \pm 0.15MM X.X \pm 0.4MM	-	UPDATED/1ND TOOLBOX	ST 3/13/01
FRACTIONS \pm 1/64	ANG. \pm 1'	-	CAD/REDRAWN	HD 3/22/93
		A	WAS I0328	LSP 3/25/97

CHANGES

Mouser Electronics

Authorized Distributor

Click to View Pricing, Inventory, Delivery & Lifecycle Information:

[Davies Molding:](#)

[1475 \(PLAIN HOLE W/SET SCREW\)](#)